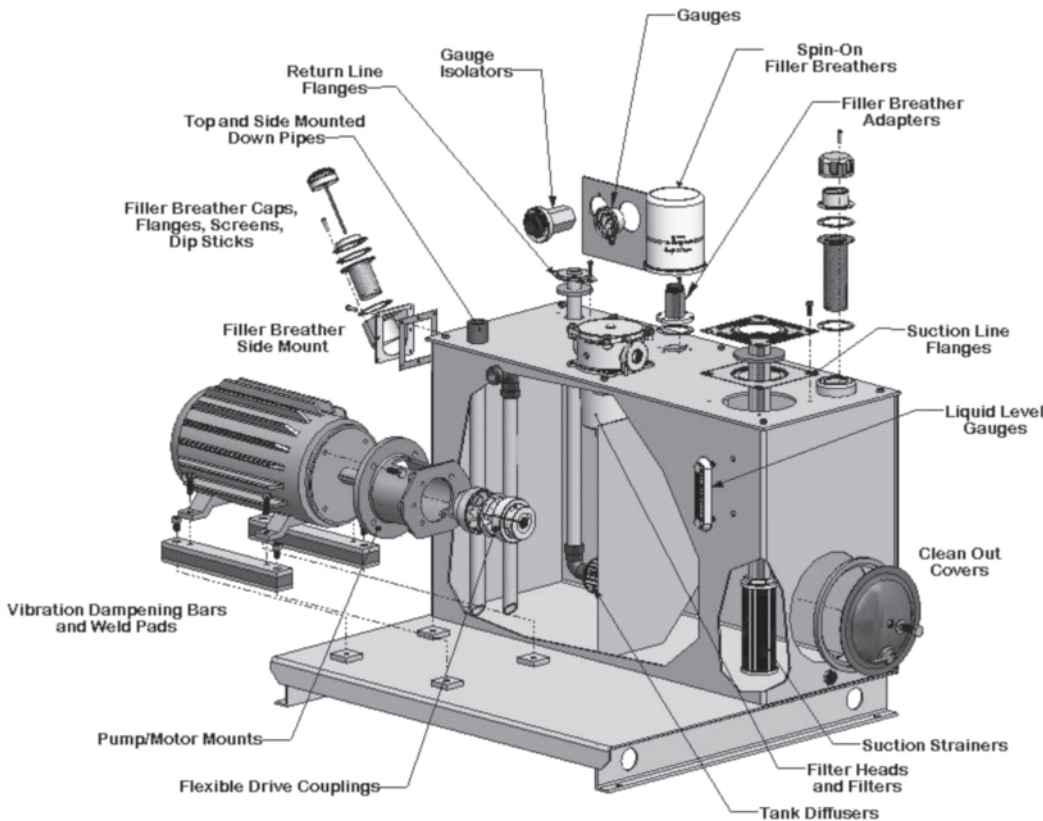


Reservoirs and Reservoir Accessory Products



INDEX:

Magnaloy Reservoirs.....	2
Reservoirs:	
Vertical Econo RVP Series.....	3
Vertical RVS Series.....	7
JIC Series.....	9
L Shaped RLC Fixed Top Series.....	10
RLP Removable Top Series.....	11
RLP Hinged Top Series.....	12
RHC Fixed Top Series.....	14
Horizontal RHP Removable Top Series.....	15
Drip Pan for RJIC Reservoirs.....	16
Stacking Module for RJIC Reservoirs.....	17
End Covers.....	18

Accessories:

Filler Breathers:	
Adapters.....	20
Caps.....	21
Mounting Flanges.....	21
Screen Materials.....	21
Options.....	22
Assemblies.....	22
Reservoir Flanges: Premium Line.....	23
Economy Line.....	24
Suction Strainers.....	26
Tank Diffusers.....	28
Spin-on Filters.....	29
Spin-On Filter Elements.....	30
Tank Top Filters: ITB Series.....	31
Tank Top Filter ITB Elements.....	32
Tank Top Filters: SR Series.....	33
Tank Top Filter SR Elements.....	35
Pressure Gauges.....	37
Liquid Level Gauges: Standard Line.....	39
Premium Line.....	39
Sight Glass Series	40
SAE Full & Half Couplings.....	41
Motor Dampening Bars: Bolt Series.....	42
Weld Series.....	43
Weld Pad Kit.....	44
Motor Base Plates.....	45
Gauge Isolators.....	46
Pressure Switch.....	47
Modular O'Ring Kit.....	48

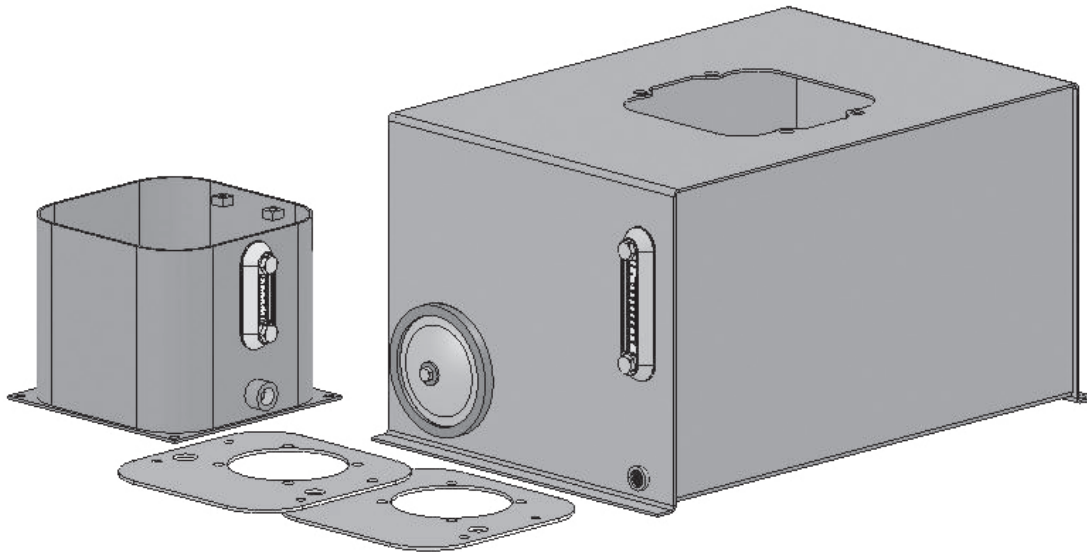
Appendix:

About Filler Breathers and Filters.....	49
Differential Pressure Indicators.....	50
Filter Efficient(BETA Ratios).....	51
Filter Selection Data.....	52
Other Magnaloy Products.....	53

Quality.... Every Magnaloy reservoir is leak tested using a die penetrant, ensuring the integrity of each and every weld. In addition, every sharp edge and corner is deburred to help eliminate the risk of dangerous and costly injuries to assembly personnel. To insure a leakproof assembly, Magnaloy utilizes NPT Tapered Thread Fittings and Plugs for all Reservoir Drains.

Custom.... Whether a standard reservoir form our catalog, a hand sketch or DIN style, Magnaloy welcomes the opportunity to create a reservoir that will satisfy your application requirements. We specialize in pre-cut holes and/or special prepping of reservoirs reducing costly labor assembly time.

Value..... Our prices are competitive with all manufacturers of quality reservoirs. Magnaloy reservoirs arrive clean and ready to assemble. No costly labor required for cleanup. Other value added features include "one stop shopping" resulting in savings from fewer issued checks, purchase orders, correspondence and single source follow-up.



The Magnaloy tradition continues....

In the early planning stages of our reservoir line, a customer exclaimed, when learning of our new product, "if magnaloy is putting their name on it, that's good enough for me." Where other manufacturers dabble in expanding their product line, we take every new product very serious and ensure the magnaloy tradition of quality, value and support continues.

Other Magnaloy Reservoir Necessities....

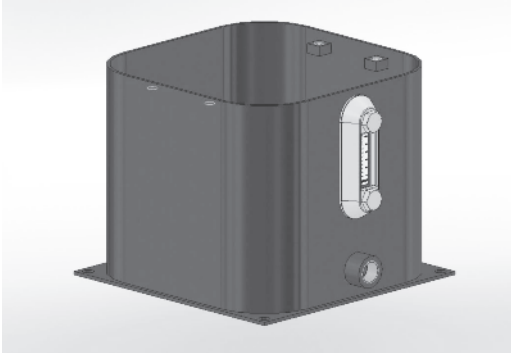
Magnaloy offers a full line of Accessory Products for your reservoir. These include Filler Breather Caps, Adapters, Mounting Flanges, Screens, Suction Strainers, Spin-on and Tank Top Filters, Liquid Level Gauges and other products. See Magnaloy's complete line of accessory items in our Accessory Products Catalog or visit us at www.magnaloy.com.

Vertical ECONO Reservoirs



Magnaloy Coupling Company's line of reservoirs begins with the Econo Series. These reservoirs are available in 2, 3, 5, 8, 10, 14, 20 and 25 gallon capacities. Each reservoir includes our Sight Level Gauge w/Temperature Readout, NPT Tank Drain, cutout and tapped holes for Reservoir Cover Plate (ordered separately), 6" Steel End Cover (on 8 gallon and larger), Primer Coated Exterior and Rust Inhibitor Coated Interior. All edges are deburred for safe handling.

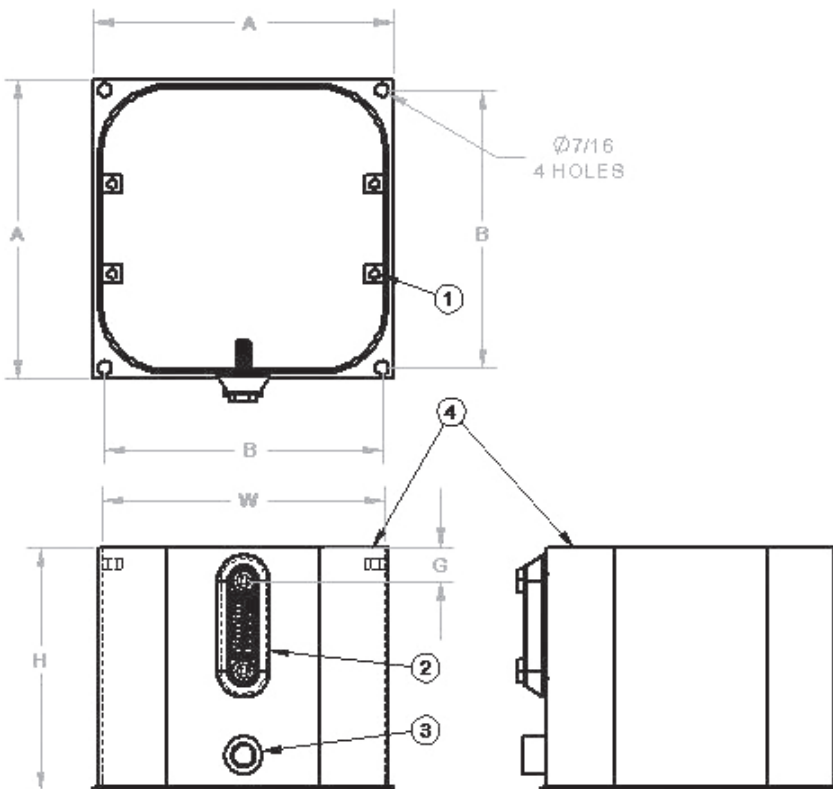
RVPO2, RVPO3 and RVPO5 Econo Reservoirs:



Features:

- 1 - 3/8-16 Cover Mounting Nuts
 - 2 - Magnaloy Sight Level Gauge w/temp *
 - 3 - 1/2" NPT Drain
 - 4 - Neoprene Gasket for Cover Plate Seal **
- Primer Coated Exterior
Rust Inhibitor Coated Interior

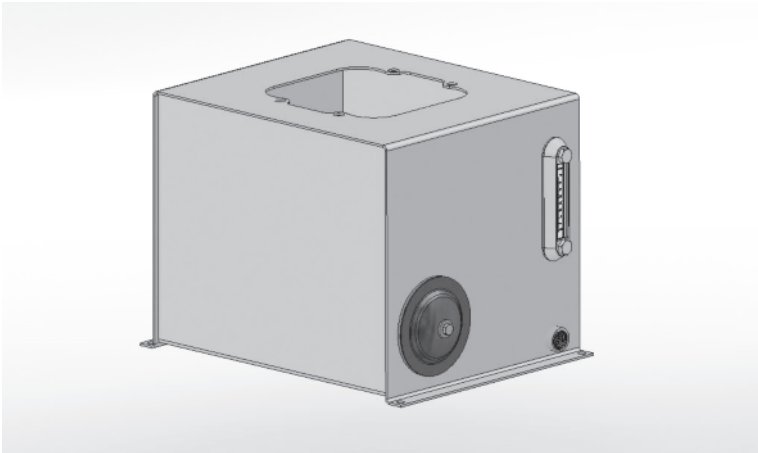
* Sight Level Gauge:
 2 gallon - 3" Gauge (SLLG-03T-C)
 3 & 5 gallon - 5" Gauge (SLLG-05T-C)
 ** Cover Plate is ordered as a separate item, see page 6 for specifications



Part Number	A	B	G	H	W
RVPO2	10.00	9.25	1.13	8.00	9.38
RVPO3	10.00	9.25	2.50	12.00	9.38
RVPO5	10.00	9.25	1.50	16.00	9.38

NOTE: Due to Magnaloy's policy of continuous improvement, specifications are subject to change without notice.

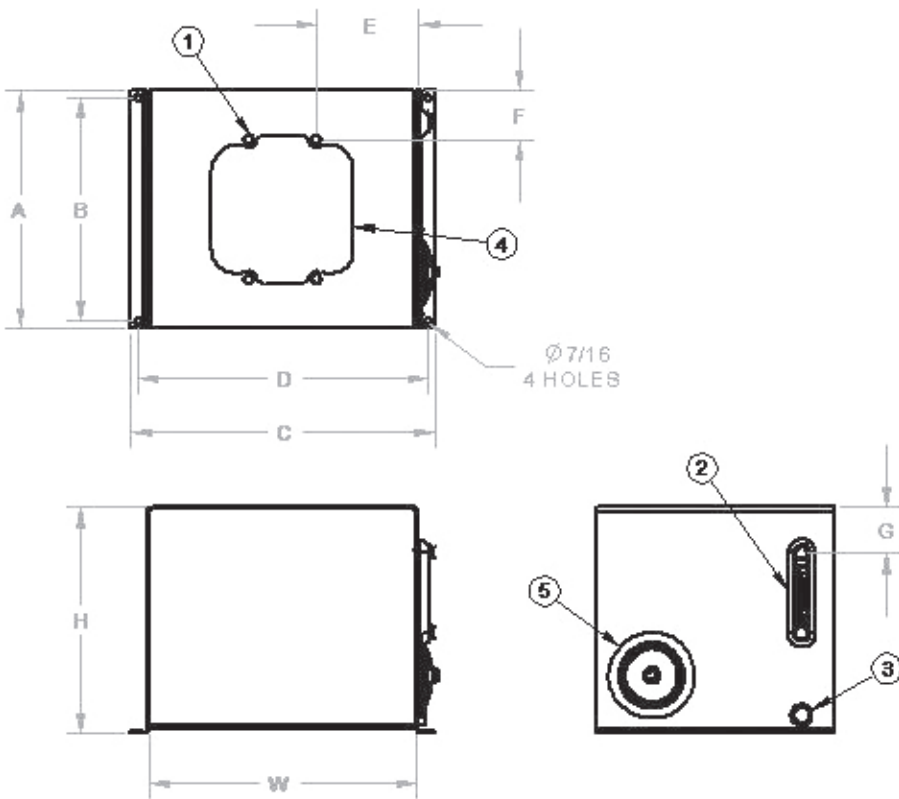
RVP08, RVP10 and RVP14 Econo Reservoirs:



Features:

- 1 - 3/8-16 Cover Mounting Nuts
 - 2 - Magnaloy 5" Sight Level Gauge w/temp (SLLG-05T-C)
 - 3 - 3/4" NPT Drain
 - 4 - Neoprene Gasket for Cover Plate Seal *
 - 5 - 6" Steel Clean-out Cover (REC06)
- Primer Coated Exterior
Rust Inhibitor Coated Interior

* Cover Plate is ordered as a separate item, see page 6 for specifications

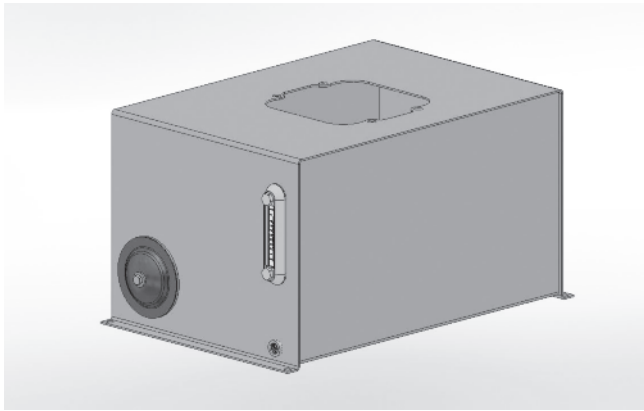


Part Number	A	B	C	D	E	F	G	H	W
RVP08	12.00	11.13	14.25	13.38	5.06	1.63	3.13	18.13	12.00
RVP10	15.00	14.13	19.00	18.13	6.25	2.63	2.81	13.94	16.75
RVP14	12.00	11.13	20.25	19.38	6.88	1.63	2.88	20.13	18.00

NOTE: Due to Magnaloy's policy of continuous improvement, specifications are subject to change without notice.

Vertical ECONO Reservoirs

RVP20 and RVP25 Econo Reservoirs:

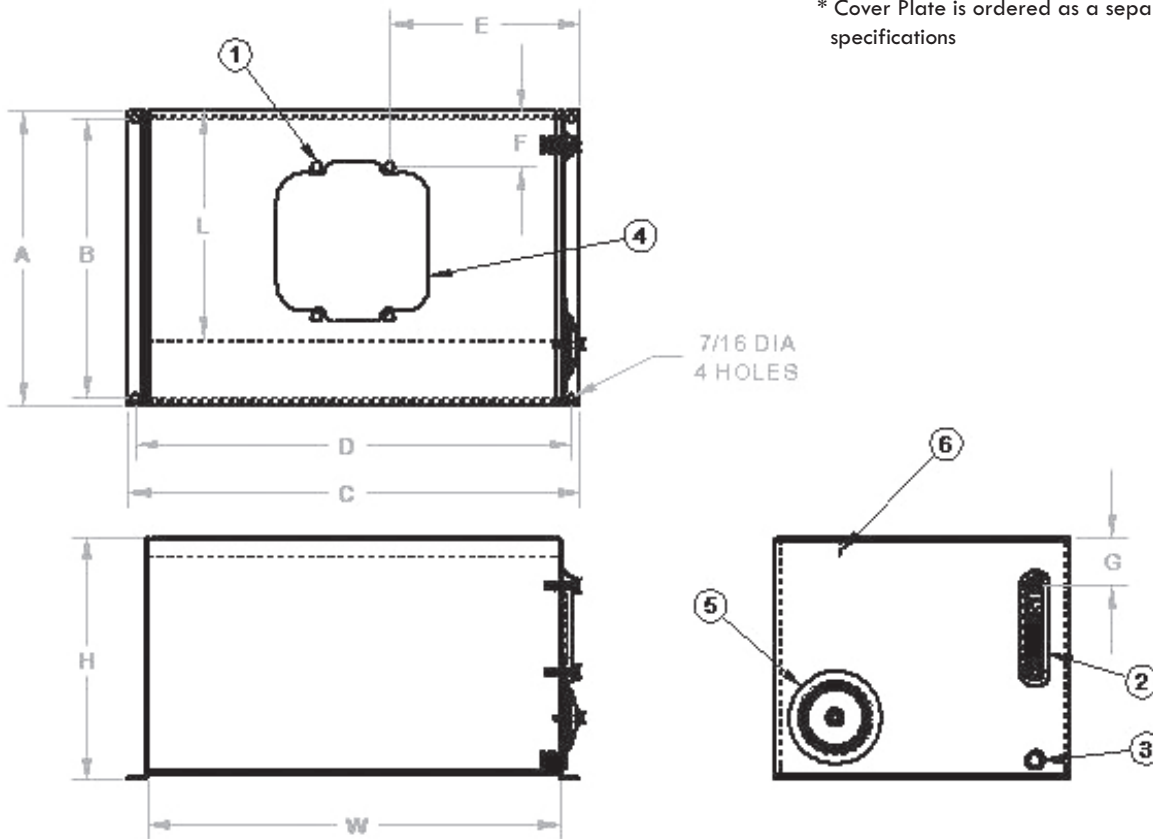


Features:

- 1 - 3/8-16 Cover Mounting Nuts
- 2 - Magnaloy 5" Sight Level Gauge w/temp (SLLG-05T-C)
- 3 - 3/4" NPT Drain
- 4 - Neoprene Gasket for Cover Plate Seal *
- 5 - 6" Steel Clean-out Cover (REC06)
- 6 - Tank Top Stiffener for rigidity and noise reduction

Primer Coated Exterior
Rust Inhibitor Coated Interior

* Cover Plate is ordered as a separate item, see page 6 for specifications

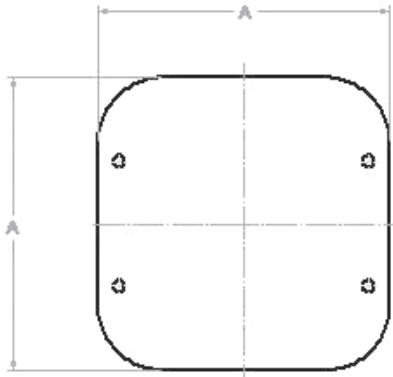


Part Number	A	B	C	D	E	F	G	H	L	W
RVP20	18.00	17.13	26.25	25.38	10	3.25	1.63	14.25	13.00	24.00
RVP25	18.00	17.13	26.25	25.38	10	3	5.63	18.13	12.25	24.00

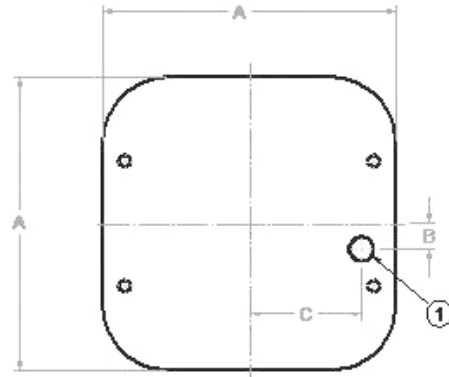
NOTE: Due to Magnaloy's policy of continuous improvement, specifications are subject to change without notice.

RVPT-1, RVPT-2, RVPT-3 and RVPT-4 Cover Plates:

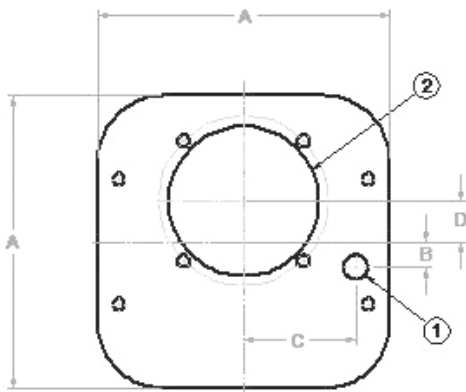
Magnaloy offer 4 choices of Cover Plates for the Econo Series of Reservoirs to meet your specific requirements. Each Cover Plate will fit any of the Econo Reservoirs. All Cover Plates are formed from 7 gauge sheet metal.



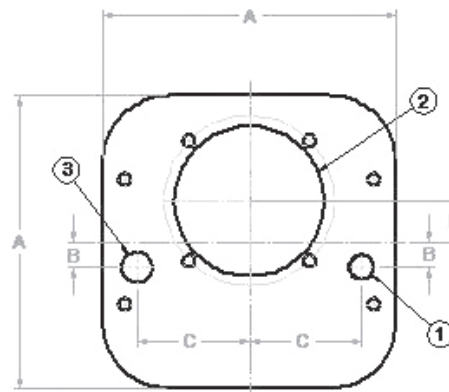
RVPT-1 Cover Plate
Blank Cover



RVPT-2 Cover Plate
Includes: 1 - Filler Breather Cutout(1/2" NPT)



RVPT-3 Cover Plate
Includes: 1 - Filler Breather Cutout(1/2" NPT)
2 - 056C Mount Cutout



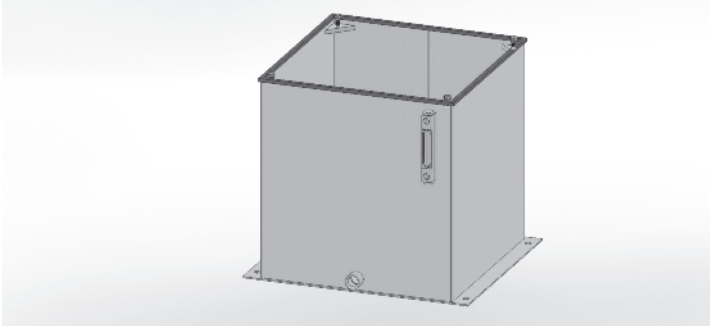
RVPT-4 Cover Plate
Includes: 1 - Filler Breather Cutout(1/2" NPT)
2 - 056C Mount Cutout
3 - 1/2" NPT Connector

Part Number	A	B	C	D
RVPT-1	10.11	N/A	N/A	N/A
RVPT-2	10.11	.88	3.88	N/A
RVPT-3	10.11	.88	3.88	1.41
RVPT-4	10.11	.88	3.88	1.41

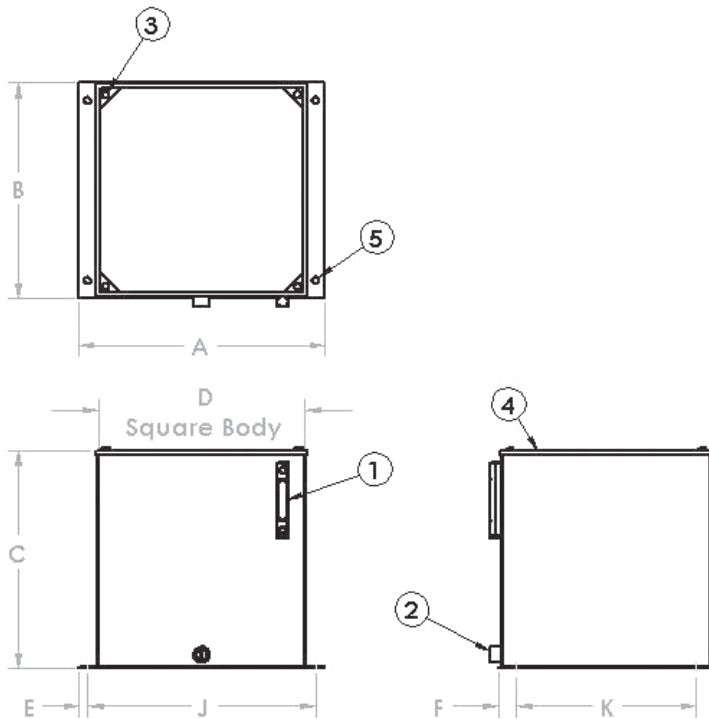
NOTE: Reservoirs and Cover Plates are ordered separately. Order by the specific part number for the Reservoir and Cover Plate.

NOTE: Due to Magnaloy's policy of continuous improvement, specifications are subject to change without notice.

RVSxx-x Series Reservoirs:



Size	Body Form	Bottom Form
5 gal	11 ga	11 ga
10 gal	11 ga	11 ga
20 gal	11 ga	11 ga
30 gal	11 ga	11 ga
40 gal	11 ga	11 ga



Includes:

- 1 - Sight Level Gauge (front mount) (SLLG-05T-C)
- 2 - 1/2" NPT Tank Drain
- 3 - (4) 3/8-16 Threaded Gussets for Cover Mounting Bolts
- 4 - "U" Gasket for Top Seal
- 5 - 9/16" Dia. Holes on Bottom Flange for Tank Mounting

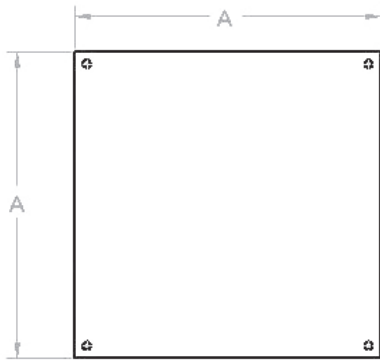
Choice of Top - ordered separately, see page 8

Primer Coated Exterior
Rust Inhibitor Coated Interior

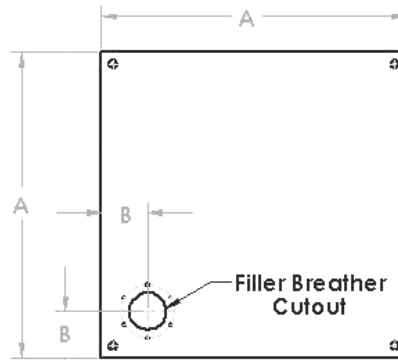
Part Number	Series	Capacity Gallons	Reservoir Dimensions (Inches)							
			A	B	C	D	E	F	J	K
RVS05-1	1	5	14.5	12.5	10	12	0.5	1.25	13.5	10
RVS10A-1	1	10	14.5	12.5	19.69	12	0.5	1.25	13.5	10
RVS10B-2	2	10	19	16.5	11.75	16	0.75	1.25	17.5	14
RVS10-2	2	10	19	16.5	15	16	0.75	1.25	17.5	14
RVS20-2	2	20	19	16.5	23.69	16	0.75	1.25	17.5	14
RVS20-3	3	20	20.5	18	18	17.5	0.75	1.5	19	15
RVS30-2	2	30	19	16.5	35.69	16	0.75	1.25	17.5	14
RVS30-3	3	30	20.5	18	26	17.5	0.75	1.5	19	15
RVS40-3	3	40	20.5	18	34	17.5	0.75	1.5	19	15

NOTE: Due to Magnaloy's policy of continuous improvement, specifications are subject to change without notice.

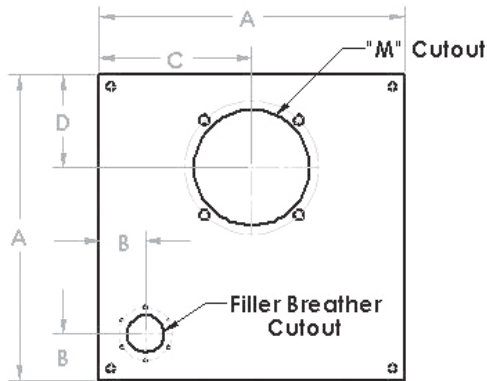
RVS Series Reservoir Tops:



Blank Cover
Part Number RVSx-T-1



Cover w/Filler Breather Cutout
Part Number RVSx-T-2



Cover w/Filler Breather Cutout and Pump/Motor Mount Cutout
Part Number RVSx-T-3(4)/M

"M" Pump/Motor Mount Cutout Specifications

Code "M"	Pump/Motor Mount Size*	M Dia.	Hole Dia	Bolt Circle
A	056 option A	5.19	7/16	5.88
B	056 option B	5.00	7/16	5.88
C	182 option A	6.25	17/32	7.25
D	182 option B	9.13	17/32	10.25

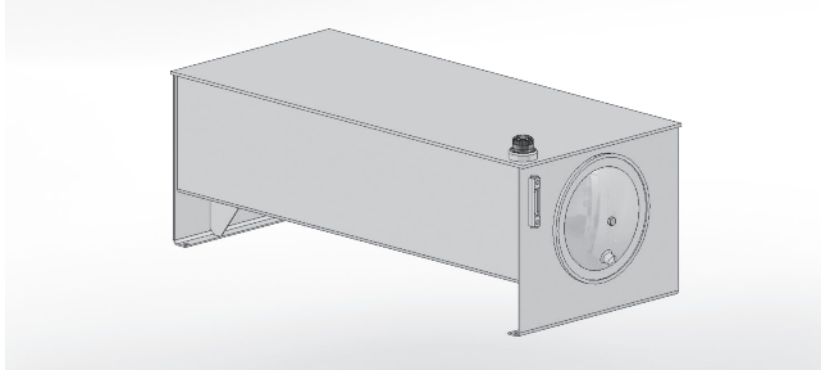
* See Magnaloy's Pump/Motor Mount Catalog for more details

Vertical Reservoir Top	Fits Reservoir Series	Reservoir Dimensions (Inches)				Pump/Motor Mount Code
		A	B	C	D	M
RVS1-T-1	1	12.5				
RVS1-T-2	1	12.5	2.5			
RVS1-T-3/M	1	12.5	2.5	6.25	5	A or B
RVS1-T-4/M	1	12.5	2.5	6.25	5	C
RVS2-T-1	2	16.5				
RVS2-T-2	2	16.5	2.5			
RVS2-T-3/M	2	16.5	2.5	8.25	5.5	A or B
RVS2-T-4/M	2	16.5	2.5	8.25	6.25	C or D
RVS3-T-1	3	18				
RVS3-T-2	3	18	2.5			
RVS3-T-3/M	3	18	2.5	9	5.5	A or B
RVS3-T-4/M	3	18	2.5	9	6.25	C or D

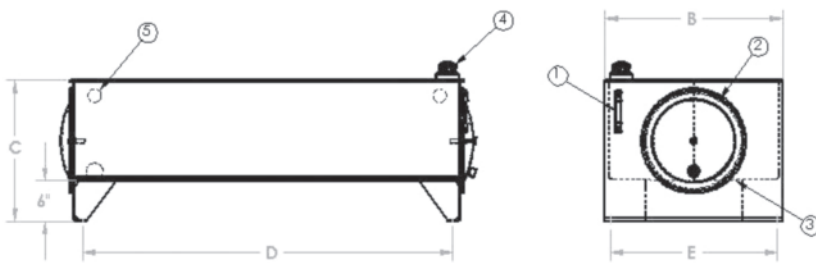
NOTE: Due to Magnaloy's policy of continuous improvement, specifications are subject to change without notice.

JIC Series Reservoirs

RJICxx-FT* JIC Series Reservoirs:



Size	Ends	Form	Top	Baffle
10 gal	7 ga	11 ga	7 ga	12 ga
15 gal	7 ga	11 ga	7 ga	12 ga
20 gal	7 ga	11 ga	7 ga	12 ga
30 gal	7 ga	11 ga	7 ga	12 ga
40 gal	7 ga	11 ga	7 ga	12 ga
50 gal	7 ga	11 ga	7 ga	12 ga
60 gal	7 ga	11 ga	1/4"	12 ga
80 gal	7 ga	11 ga	3/8"	12 ga
100 gal	7 ga	11 ga	3/8"	12 ga
120 gal	3/8"	11 ga	3/8"	12 ga
150 gal	3/8"	11 ga	3/8"	12 ga
200 gal	3/8"	7 ga	3/8"	12 ga



Includes:

- 1 - Sight Level Gauge (front mount) (SLLG-05T-C)
 - 2 - End Cover w/3/4" NPT Drain
End Cover w/out Drain (opposite end)
 - 3 - Sloped Bottom
 - 4 - Filler Breather Cap and Riser (FB-H008)
 - 5 - Baffle w/Circulation Cutout
- Primer Coated Exterior
Rust Inhibitor Coated Interior

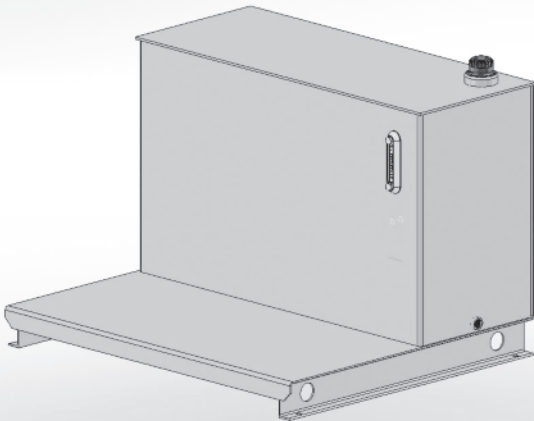
Part Number	Capacity Gallons	Reservoir Dimensions (Inches)					End Cover
		A	B	C	D	E	
RJIC010-FT	10	22	18	19	18.25	16.5	12"
RJIC015-FT	15	26	18	19	22.25	16.5	12"
RJIC020-FT	20	30	18	19	26.25	16.5	12"
RJIC030-FT	30	36	24	19.38	32.25	22.5	12"
RJIC040-FT	40	36	24	21	32.25	22.5	12"
RJIC050-FT	50	36	24	23	32.25	22.5	16"
RJIC060-FT	60	48	27	20.69	44.25	25.5	16"
RJIC080-FT	80	60	27	21.5	56.25	25.5	16"
RJIC100-FT	100	60	27	23.5	56.25	25.5	16"
RJIC120-FT	120	60	30	27	56.25	28.5	16"
RJIC150-FT	150	60	30	31	56.25	28.5	16"
RJIC200-FT	200	72	36	29.38	68.25	34.5	18"

NOTE: Couplings, both SAE & NPT can be installed per your specifications

* Also available with Removable Top (substitute RT for FT) and Removable Baffle (substitute RB for FT)

NOTE: Due to Magnaloy's policy of continuous improvement, specifications are subject to change without notice.

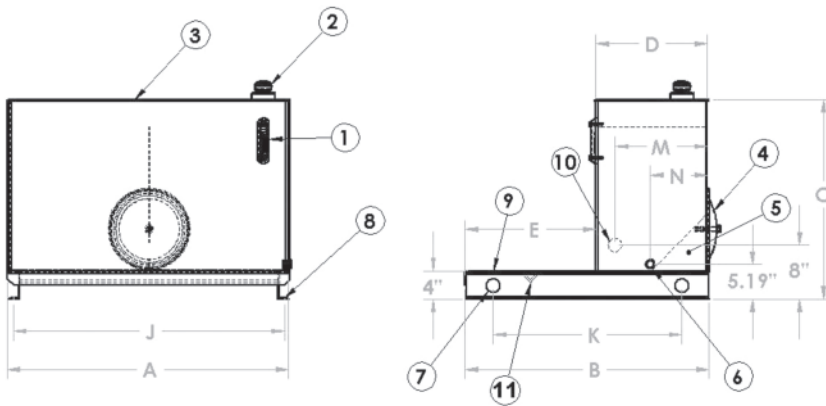
RLCxx-FT Series Reservoirs:



Size	Form	Top	Bottom	Baffle
10 gal	7 ga	1/4"	7 ga	11 ga
20 gal	7 ga	1/4"	7 ga	11 ga
30 gal	7 ga	1/4"	7 ga	11 ga
45 gal	7 ga	1/4"	7 ga	11 ga
60 gal	7 ga	1/4"	7 ga	11 ga
80 gal	7 ga	1/4"	3/8"	11 ga
100 gal	7 ga	1/4"	3/8"	11 ga
120 gal	7 ga	1/4"	3/8"	11 ga
150 gal	7 ga	1/4"	3/8"	11 ga
200 gal	7 ga	1/4"	3/8"	11 ga

Includes:

- 1 - Sight Level Gauge (front mount) (SLLG-05T-C)
 - 2 - Filler Breather Cap and Riser (FB-H008)
 - 3 - Fixed Top (Welded)
 - 4 - Clean-out Cover on Back Side
 - 5 - Baffles w/Circulation Cutout
 - 6 - 3/4" NPT Tank Drain
 - 7 - Lifting Holes in Channel Ends
 - 8 - 9/16 Dia Holes, 2 per Channel
 - 9 - Optional Porch Sizes-consult factory
 - 10 - Return Line Connection - "O" NPT
 - 11 - Bottom Stiffener
- Primer Coated Exterior
Rust Inhibitor Coated Interior

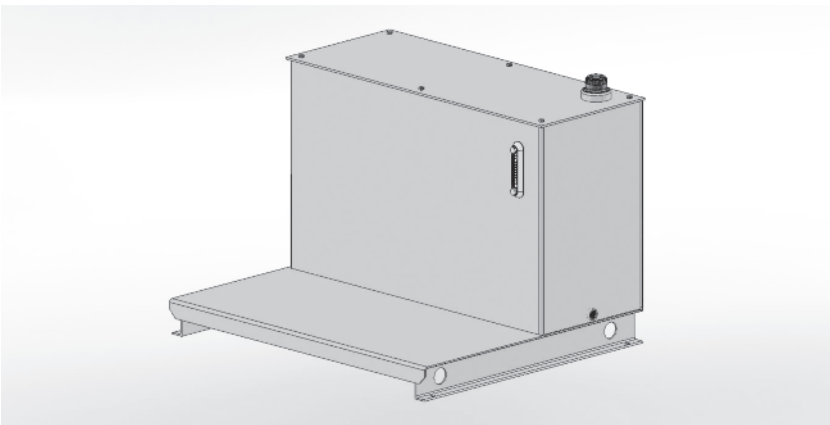


Part Number	Capacity Gallons	Reservoir Dimensions (Inches)							Return Connections			Cover Size
		A	B	C	D	E	J	K	M	N	O	
RLC010-FT	10	24	22	26.56	6.5	15.44	22.25	18	4.5	3.25	1/2"	12
RLC020-FT	20	36	27	26.56	7.5	19.44	34.25	23	5.5	3.75	1"	12
RLC030-FT	30	36	30	28.56	10.5	19.44	34.25	26	7.5	5.25	1 1/2"	12
RLC045-FT	45	42	36	29.56	12.5	23.44	40.25	32	9.5	6.25	1 1/2"	12
RLC060-FT	60	42	36	29.56	16.5	19.44	40.25	32	13.5	8.25	1 1/2"	12
RLC080-FT	80	48	42	30.56	18.5	23.5	46.25	38	15.5	9.25	1 1/2"	16
RLC100-FT	100	50	47	31.56	21.5	25.5	48.25	43	18.5	10.75	2"	16
RLC120-FT	120	52	50	32.56	22.5	27.5	50.25	46	19.5	11.25	2"	16
RLC150-FT	150	60	50	33.56	22.5	27.5	58.25	46	19.5	11.25	2"	16
RLC200-FT	200	60	57	40.56	25.5	31.5	58.25	53	22.5	12.75	2"	16

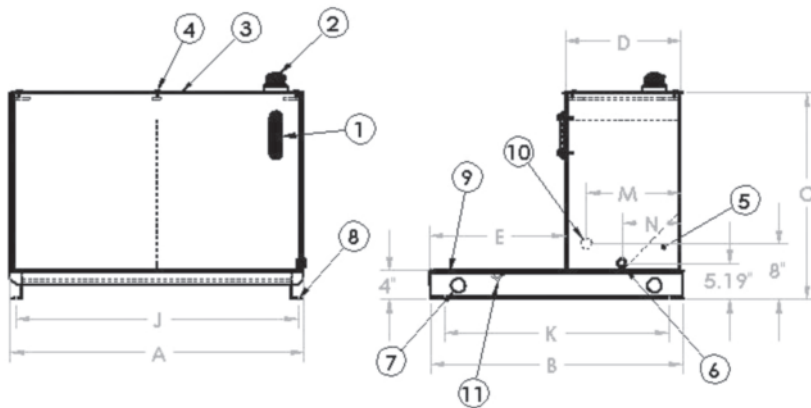
NOTE: Due to Magnaloy's policy of continuous improvement, specifications are subject to change without notice.

L Series Reservoirs

RLPxx-RT Series Reservoirs:



Size	Form	Top	Bottom	Baffle
10 gal	7 ga	1/4"	7 ga	11 ga
20 gal	7 ga	1/4"	7 ga	11 ga
30 gal	7 ga	1/4"	7 ga	11 ga
45 gal	7 ga	1/4"	7 ga	11 ga
60 gal	7 ga	1/4"	7 ga	11 ga
80 gal	7 ga	1/4"	3/8"	11 ga
100 gal	7 ga	1/4"	3/8"	11 ga
120 gal	7 ga	1/4"	3/8"	11 ga
150 gal	7 ga	1/4"	3/8"	11 ga
200 gal	7 ga	1/4"	3/8"	11 ga



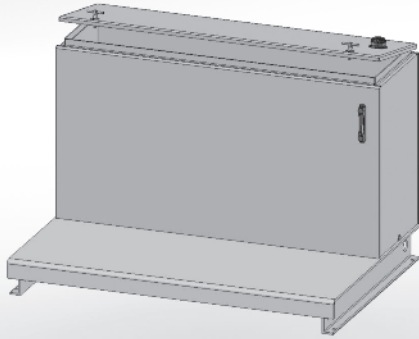
Includes:

- 1 - Sight Level Gauge (front mount) (SLLG-05T-C)
 - 2 - Filler Breather Cap and Riser (FB-H008)
 - 3 - Removable Top w/Gasket
 - 4 - 6 Bolts to Secure Top
 - 5 - Baffles w/Circulation Cutout
 - 6 - 3/4" NPT Tank Drain
 - 7 - Lifting Holes in Channel Ends
 - 8 - 9/16 Dia Holes, 2 per Channel
 - 9 - Optional Porch Sizes - consult factory
 - 10 - Return Line Connection - "O" NPT
 - 11 - Bottom Stiffener
- Primer Coated Exterior
Rust Inhibitor Coated Interior

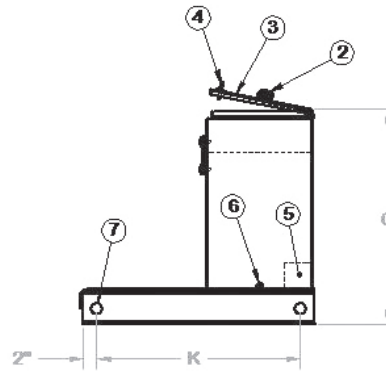
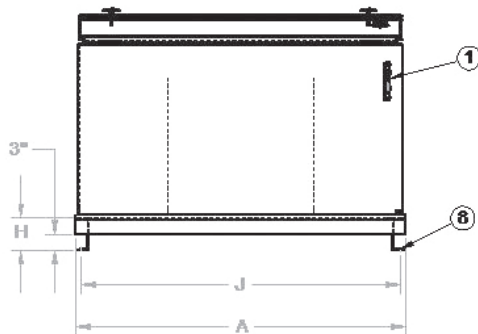
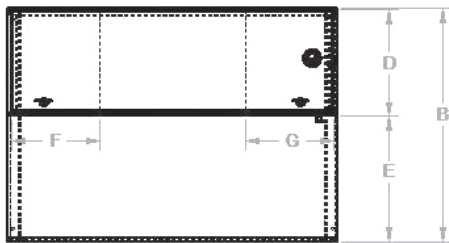
Part Number	Capacity Gallons	Reservoir Dimensions (Inches)							Return Connections		
		A	B	C	D	E	J	K	M	N	O
RLP010-RT	10	24	22	26.56	6.5	15.44	22.25	18	4.5	3.25	1/2"
RLP020-RT	20	36	27	26.56	7.5	19.44	34.25	23	5.5	3.75	1"
RLP030-RT	30	36	30	28.56	10.5	19.44	34.25	26	7.5	5.25	1 1/2"
RLP045-RT	45	42	36	29.56	12.5	23.44	40.25	32	9.5	6.25	1 1/2"
RLP060-RT	60	42	36	29.56	16.5	19.44	40.25	32	13.5	8.25	1 1/2"
RLP080-RT	80	48	42	30.56	18.5	23.5	46.25	38	15.5	9.25	1 1/2"
RLP100-RT	100	50	47	31.56	21.5	25.5	48.25	43	18.5	10.75	2"
RLP120-RT	120	52	50	32.56	22.5	27.5	50.25	46	19.5	11.25	2"
RLP150-RT	150	60	50	33.56	22.5	27.5	58.25	46	19.5	11.25	2"
RLP200-RT	200	60	57	40.56	25.5	31.5	58.25	53	22.5	12.75	2"

NOTE: Due to Magnaloy's policy of continuous improvement, specifications are subject to change without notice.

RLPxx-HT Series Reservoirs:



Size	Form	Top	Bottom	Baffle
10 gal	7 ga	11 ga	7 ga	11 ga
20 gal	7 ga	11 ga	7 ga	11 ga
30 gal	7 ga	11 ga	7 ga	11 ga
45 gal	7 ga	11 ga	7 ga	11 ga
60 gal	7 ga	11 ga	7 ga	11 ga
80 gal	7 ga	11 ga	3/8"	11 ga
100 gal	7 ga	11 ga	3/8"	11 ga
120 gal	7 ga	11 ga	3/8"	11 ga
150 gal	7 ga	11 ga	3/8"	11 ga
200 gal	7 ga	11 ga	3/8"	11 ga



Includes:

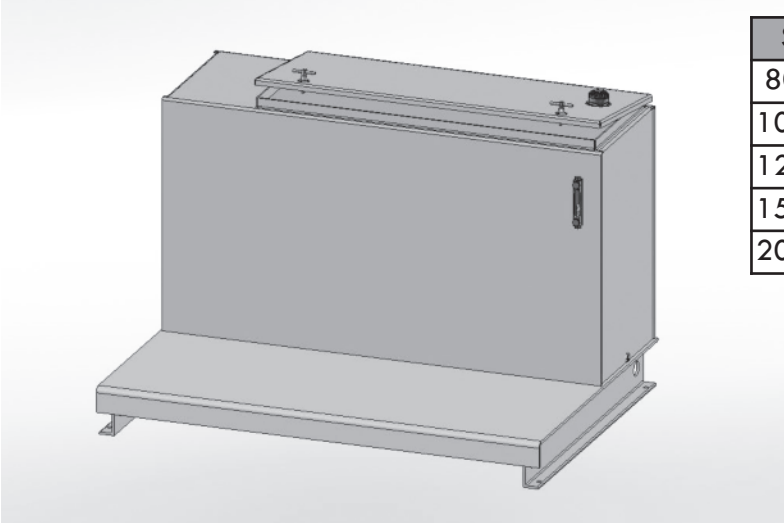
- 1 - Sight Level Gauge (front mount) (SLLG-05T-C)
 - 2 - Filler Breather Cap (FB-H008)
 - 3 - Hinged Top w/Gasket
 - 4 - T-Handles to Secure Top
 - 5 - Baffles w/Circulation Cutout
 - 6 - 3/4" NPT Tank Drain
 - 7 - Lifting Holes in Channel Ends
 - 8 - 9/16 Dia Holes, 2 per Channel
- Primer Coated Exterior
Rust Inhibitor Coated Interior

Part Number	Capacity Gallons	Reservoir Dimensions (Inches)									
		A	B	C	D	E	F	G	H	J	K
RLP010-HT	10	24	23.38	23.88	11.13	12.25	N/A	11	6.18	22.25	19
RLP020-HT	20	30	27.38	25.88	13.5	13.88	N/A	12	6.18	28.25	23
RLP030-HT	30	36	30.38	29.88	13.75	16.63	N/A	12	6.18	34.25	26
RLP045-HT	45	54	31.38	29.88	13.75	17.63	12	12	6.18	52.25	27
RLP060-HT	60	48	37.38	35.88	16.75	20.63	N/A	16	6.18	46.25	33
RLP080-HT	80	66	38.56	36.06	16.38	22	16	16	6.38	64.25	34
RLP100-HT	100	60	42.56	39.06	19.38	23	N/A	16	6.38	58.25	38
RLP120-HT	120	72	42.56	39.06	19.38	23	16	16	6.38	70.25	38
RLP150-HT	150	72	50.56	39.06	25.38	25	N/A	16	6.38	70.25	46
RLP200-HT	200	84	51.56	42.06	25.38	26	16	16	6.38	82.25	47

NOTE: Due to Magnaloy's policy of continuous improvement, specifications are subject to change without notice.

L Series Reservoirs

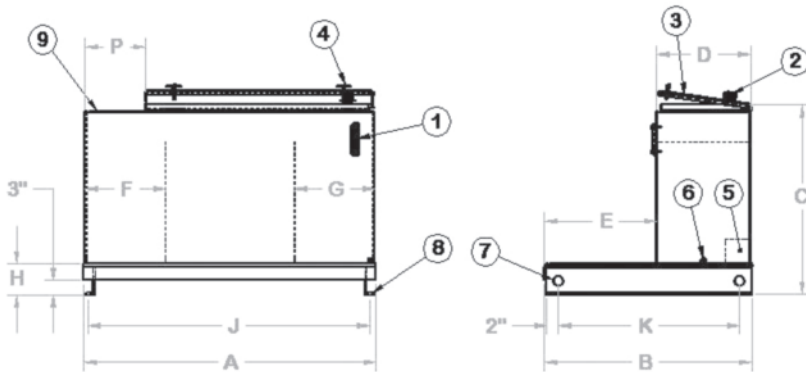
RLPxx-PHT Series Reservoirs:



Size	Form	Top	Lid	Bottom	Baffle
80 gal	7 ga	7 ga	11 ga	3/8"	11 ga
100 gal	7 ga	7 ga	11 ga	3/8"	11 ga
120 gal	7 ga	7 ga	11 ga	3/8"	11 ga
150 gal	7 ga	7 ga	11 ga	3/8"	11 ga
200 gal	7 ga	7 ga	11 ga	3/8"	11 ga

Includes:

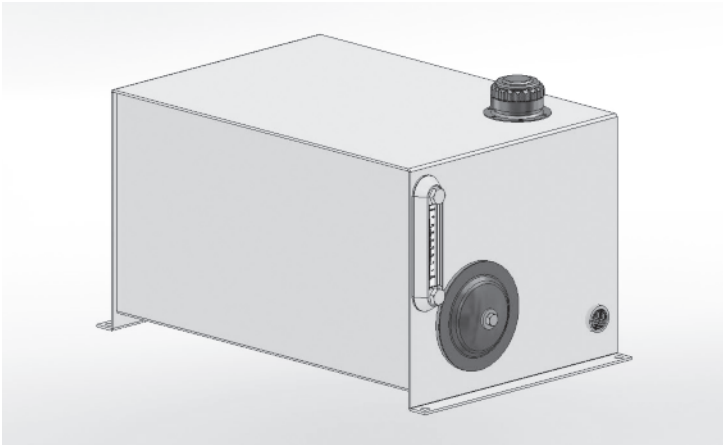
- 1 - Sight Level Gauge (front mount) (SLLG-05T-C)
 - 2 - Filler Breather Cap (FB-H008)
 - 3 - Partial Hinged Top w/Gasket
 - 4 - T-Handles to Secure Top
 - 5 - Baffles w/Circulation Cutout
 - 6 - 3/4" NPT Tank Drain
 - 7 - Lifting Holes in Channel Ends
 - 8 - 9/16 Dia Holes, 2 per Channel
 - 9 - Upper Porch for filter mounting
- Primer Coated Exterior
Rust Inhibitor Coated Interior



Part Number	Capacity Gallons	Reservoir Dimensions (Inches)										
		A	B	C	D	E	F	G	H	J	K	P
RLP080-PHT	80	60	38.56	36.06	13.38	25	16	16	6.38	58.25	34	12
RLP100-PHT	100	60	42.56	36.06	16.38	26	16	16	6.38	58.25	38	12
RLP120-PHT	120	72	42.56	36.06	16.38	26	16	16	6.38	70.25	38	12
RLP150-PHT	150	72	50.56	39.06	18.38	32	16	16	6.38	70.25	46	12
RLP200-PHT	200	84	51.56	42.06	18.38	33	24	16	6.38	82.25	47	16

NOTE: Due to Magnaloy's policy of continuous improvement, specifications are subject to change without notice.

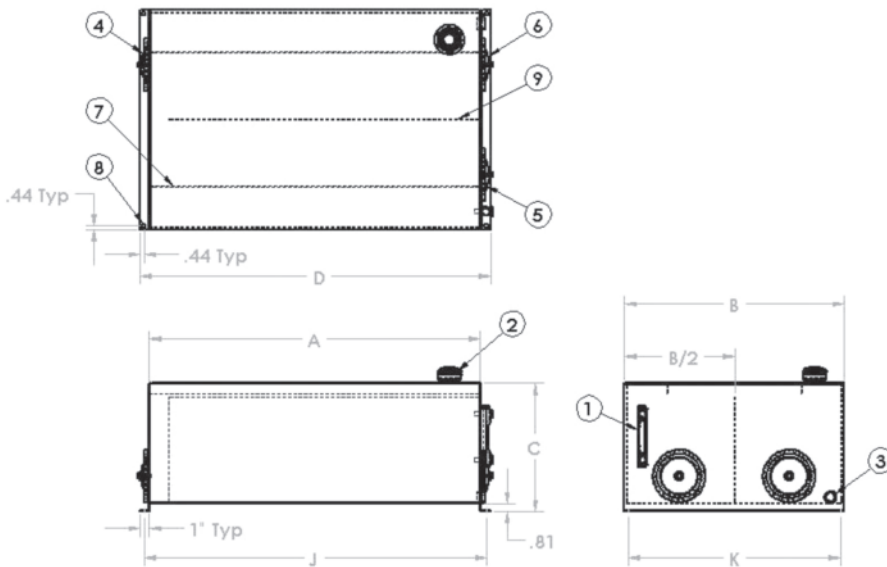
RHCxx-FT Series Reservoirs:



Size	Ends	Form	Top	Baffle
10 gal	11 ga	11 ga	11 ga	11 ga
20 gal	11 ga	11 ga	11 ga	11 ga
30 gal	11 ga	11 ga	11 ga	11 ga
40 gal	11 ga	11 ga	11 ga	11 ga

Includes:

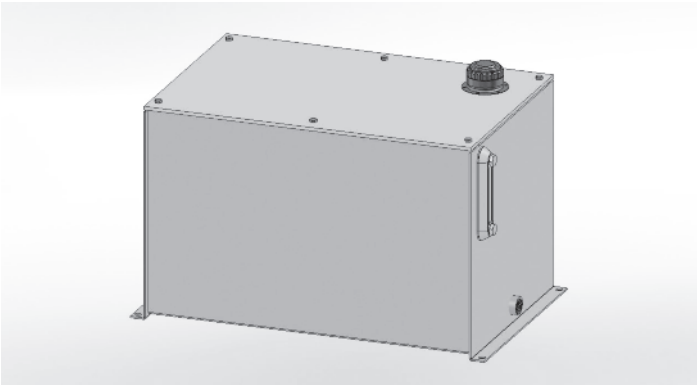
- 1 - Sight Level Gauge (front mount)
(SLLG-05T-C)
 - 2 - Filler Breather Cap (FB-H008)
Included, **Cutout Hole Not Provided**
 - 3 - 3/4" NPT Tank Drain
 - 4 - End Cover - 10, 20, 30 Gal Only
 - 5 - End Cover - 10, 20, 30 & 40 Gal
 - 6 - End Cover - 40 Gal Only
 - 7 - Top Stiffeners - except 10 Gal
 - 8 - 7/16" Dia. Holes on Bottom Flange
for Tank Mounting
 - 9 - Baffle w/cutout for circulation
- Primer Coated Exterior
Rust Inhibitor Coated Interior



Part Number	Capacity Gallons	Reservoir Dimensions (Inches)					
		A	B	C	D	J	K
RHC010-FT	10	20	14	12	22.25	21.38	13.13
RHC020-FT	20	24	18	14	26.25	25.38	17.13
RHC030-FT	30	36	18	14	38.25	37.38	17.13
RHC040-FT	40	36	24	14	38.25	37.38	23.13

NOTE: Due to Magnaloy's policy of continuous improvement, specifications are subject to change without notice.

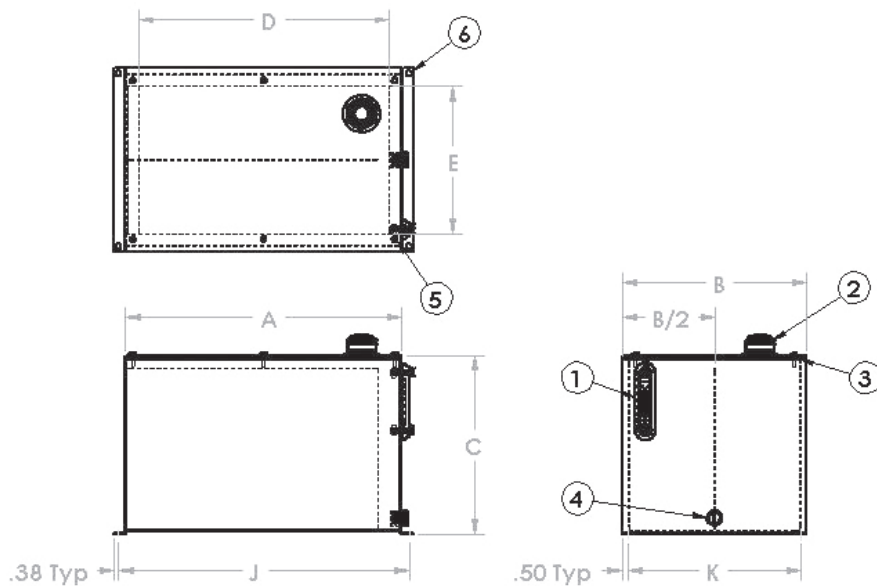
RHP_{xx}-RT Series Reservoirs:



Size	Ends	Form	Top	Baffle
10 gal	11 ga	11 ga	1/4"	11 ga
20 gal	11 ga	11 ga	1/4"	11 ga
30 gal	11 ga	11 ga	1/4"	11 ga
40 gal	11 ga	11 ga	1/4"	11 ga

Includes:

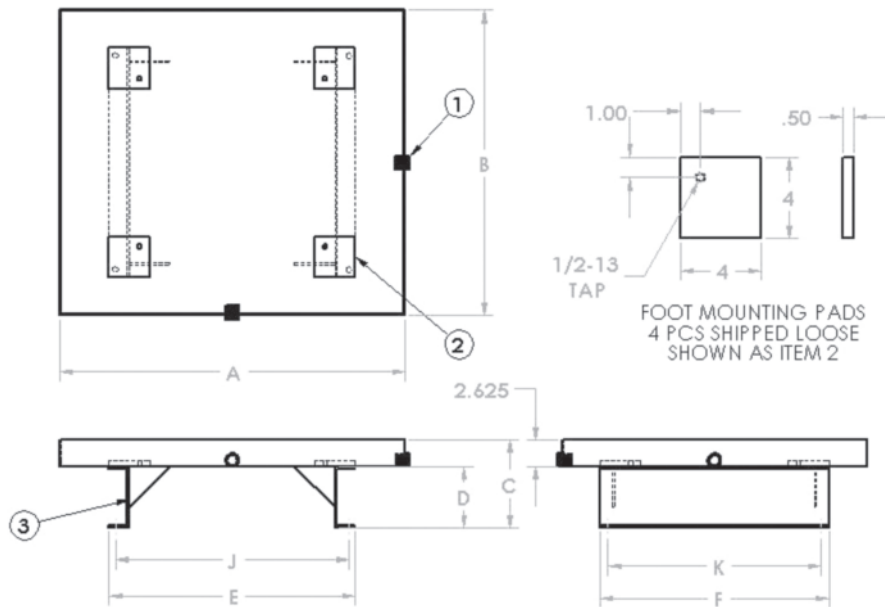
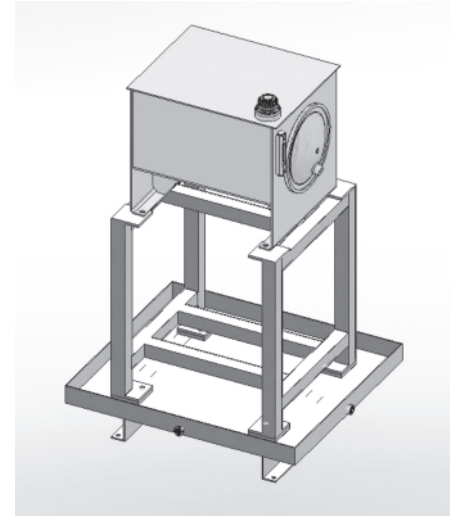
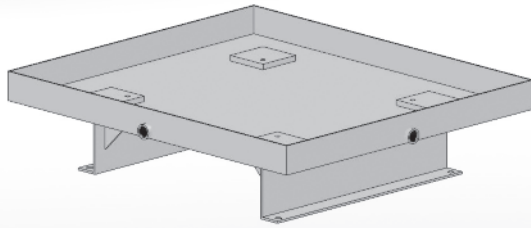
- 1 - Sight Level Gauge (front mount) (SLLG-05T-C)
 - 2 - Filler Breather Cap (FB-H008)
Included, **Cutout Hole Not Provided**
 - 3 - Neoprene Foam Gasket Top Seal
 - 4 - 3/4" NPT Tank Drain
 - 5 - 6 Bolts to secure Top (1/4"-20)
 - 6 - 1/2" Dia. Holes on Bottom Flange for Tank Mounting
- Primer Coated Exterior
Rust Inhibitor Coated Interior



Part Number	Capacity Gallons	Reservoir Dimensions (Inches)						
		A	B	C	D	E	J	K
RHP010-RT	10	24	16	9.5	21.75	12.75	25.25	15
RHP020-RT	20	24	16	15.5	21.75	12.75	25.25	15
RHP030-RT	30	24	16	21.5	21.75	12.75	25.25	15
RHP040-RT	40	24	16	27.5	21.75	12.75	25.25	15

NOTE: Due to Magnaloy's policy of continuous improvement, specifications are subject to change without notice.

Fits Magnaloy RJC Series Reservoirs and Stacking Modules:



Includes:

- 1- (2) 3/4" NPT Drains
 - 2 - (4) Foot Mounting Pads
Included (loose)
 - 3 - To eliminate Risers Change
Part Number to RJDPP Series
- Sizes 10 thru 100 Drip Pans are
11 gauge
- Sizes 120 thru 200 Drip Pans are
7 gauge
- Primer Coated Exterior
All Edges Deburred
Designed to fit Magnaloy
Stacking Module (pg 17)
and RJC Reservoir (pg 9)
(see above)

Part Number	Drip Pan Size (Gallons)	Fits Reservoir	Drip Pan Dimensions (Inches)				Reservoir Dimensions (Inches)			
			A	B	C	D	E	F	J	K
RJDPR010	10	RJIC010-	34	30	8.63	6	24.25	22.5	18.25	16.5
RJDPR015	15	RJIC015-	38	30	8.63	6	28.25	22.5	22.25	16.5
RJDPR020	20	RJIC020-	42	30	8.63	6	32.25	22.5	26.25	16.5
RJDPR030	30-50	RJIC030- thru 50-	48	36	8.63	6	38.25	28.5	32.25	22.5
RJDPR060	60	RJIC060-	60	39	8.63	6	50.25	31.5	44.25	25.5
RJDPR080	80-100	RJIC080- thru 100-	72	39	8.63	6	62.25	31.5	56.25	25.5
RJDPR120	120-150	RJIC120- thru 150-	72	42	8.63	6	64.25	36.5	56.25	28.5
RJDPR200	200	RJIC200-	84	48	8.63	6	76.25	42.5	68.25	34.5

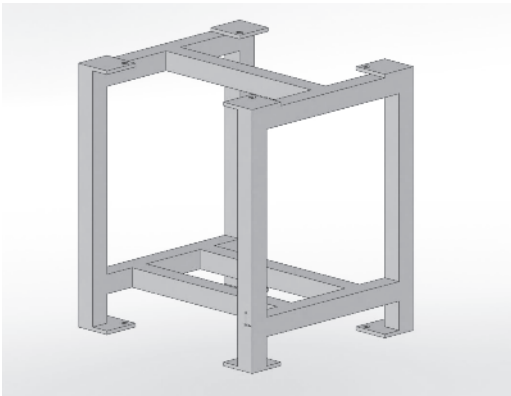
NOTE : RJDPR Series include 6" Risers, Substitute RJDPP for Series number (same dimensions) if no Risers are needed.

NOTE: Due to Magnaloy's policy of continuous improvement, specifications are subject to change without notice.

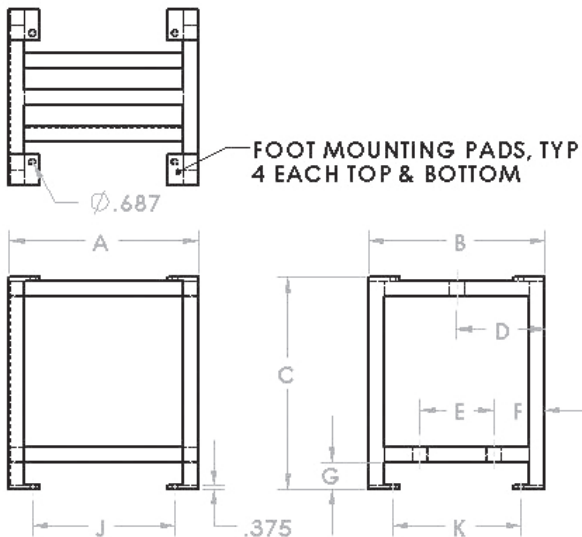
Stacking Module for RJIC Series Reservoirs



Fits Magnaloy RJIC Series Reservoirs and Drip Pans:



Size	Material	Foot Pads
10	2 x 2 x 11ga	4 x 4 x 3/8
15	2 x 2 x 11ga	4 x 4 x 3/8
20	2 x 2 x 11ga	4 x 4 x 3/8
30	2 x 2 x 11ga	4 x 4 x 3/8
40	2 x 2 x 11ga	4 x 4 x 3/8
50	2 x 2 x 11ga	4 x 4 x 3/8
60	2 x 2 x 11ga	4 x 4 x 3/8
80	2 x 2 x 11ga	4 x 4 x 3/8
100	2 x 2 x 11ga	4 x 4 x 3/8
120	3 x 3 x 7ga	5 x 5 x 3/8
150	3 x 3 x 7ga	5 x 5 x 3/8
200	3 x 3 x 7ga	5 x 5 x 3/8



Includes:

- (4) Foot Mounting Pads, Top and Bottom that aligns with RJIC Series Reservoir Mounting Holes and RJDPx Drip Pan Mounting Pads
- Primer Coated Exterior
- All Edges Deburred
- Designed to fit Magnaloy RJDPx Drip Pan (pg 16) and RJIC Reservoir (pg 9) (see top of page 16)

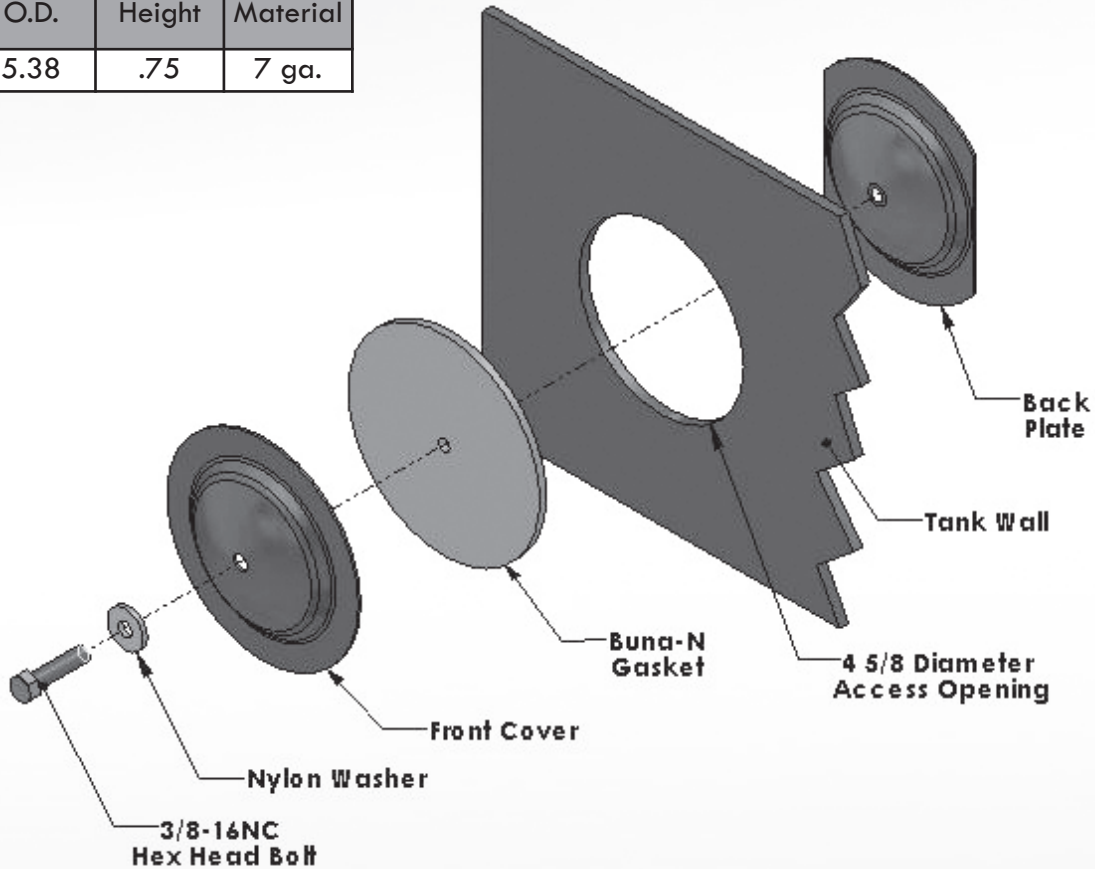
Part Number	Fits Reservoir	Drip Pan Dimensions (Inches)					Reservoir Dimensions (Inches)			
		A	B	C	D	E	F	G	J	K
RJSM010	RJIC010-	24.25	22.5	26.25	9.5	6*	6.5	3	18.25	16.5
RJSM015	RJIC015-	26.25	22.25	26.25	9.5	6*	6.5	3	22.25	16.5
RJSM020	RJIC020-	32.25	22.5	26.25	9.5	6*	6.5	3	26.25	16.5
RJSM030	RJIC030- thru 050-	38.25	28.5	26.25	12.5	6*	9.5	3	32.25	22.5
RJSM060	RIC0J60-	50.25	31.5	32.5	14	9*	9.5	3	44.25	25.5
RJSM080	RJIC080-	62.25	31.5	31.5	14	9*	9.5	3	56.25	25.5
RJSM100	RJIC100-	62.25	31.5	36.75	14	9*	9.5	3	56.25	25.5
RJSM120	RJIC120- thru 150-	64.25	36.5	36.75	15.5	9*	11	3	56.25	28.5
RJSM200	RJIC200-	76.25	42.5	36.75	18.5	9*	14	3	68.25	34.5

* This dimension can be changed at no additional charge to accommodate your pump/motor combination, consult factory.

NOTE: Due to Magnaloy's policy of continuous improvement, specifications are subject to change without notice.

6 Inch Steel End Cover:

End Cover Size	O.D.	Height	Material
REC06	5.38	.75	7 ga.



End Cover Assembly and Component Part Numbers:

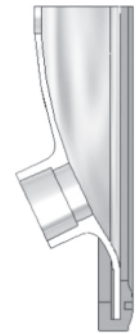
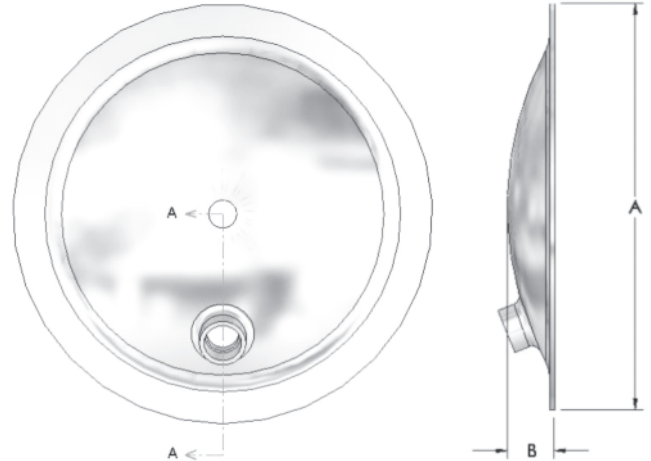
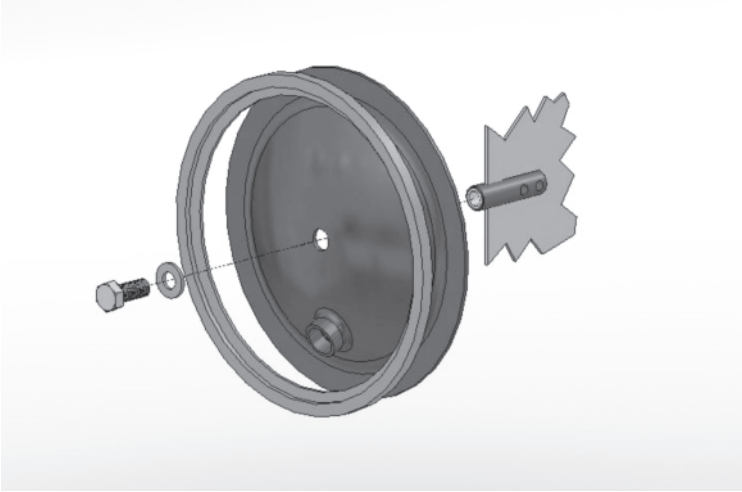
End Cover Size	End Cover Assembly	End Cover Front Cover	End Cover Back Plate	End Cover Gasket	End Cover Nylon Washer	End Cover Bolt
6"	REC06K	REC06C	REC06B	REC06G	REC06W	REC06F

NOTE: End Cover Assembly Includes - (1) Front Plate, (1) Back Plate, (1) 3/8-16 x 1.25" Bolt, (1) Nylon Crush Washer, (1) Buna-N Cover Gasket.

NOTE: 4.625" Diameter Hole in the Reservoir is required for installation.

End Covers

12, 16, & 18 Inch Steel End Covers:



Section A-A

End Cover Size	A	B	Material
12"	11.75	1.38	7 ga
14"	13.75	1.50	7 ga
16"	15.88	1.88	7 ga
18"	17.34	2.25	7 ga

Steel End Cover Kit and Component Part Numbers:

End Cover Size	End Cover Kit w/out Drain	End Cover Kit with 3/4" NPT Drain	End Cover Only w/out Drain	End Cover Only with 3/4" NPT Drain	End Cover Kit with #12 SAE Drain	End Cover Only with #12 SAE Drain
12"	REC12KX	REC12KN	REC12CX	REC12CN	REC12KS	REC12CS
14"	REC14KX	REC14KN	REC14CX	REC14CN	REC14KS	REC14CS
16"	REC16KX	REC16KN	REC16CX	REC16CN	REC16KS	REC16CS
18"	REC18KX	REC18KN	REC18CX	REC18CN	REC18KS	REC18CS

Stainless Steel End Cover Kit and Component Part Numbers:

End Cover Size	End Cover Kit w/out Drain	End Cover Kit with 3/4" NPT Drain	End Cover Only w/out Drain	End Cover Only with 3/4" NPT Drain	End Cover Kit w/#12 SAE Drain	End Cover Only w/#12 SAE Drain
12"	RECS12KX	RECS12KN	RECS12CX	RECS12CN	N/A	N/A
16"	RECS16KX	RECS16KN	RECS16CX	RECS16CN	N/A	N/A

NOTE: End Cover Kit Includes: (1) End Cover, (1) Buna-N Gasket, (1) 5/8-11 Bolt, (1) Nylon Washer, (1) Baffle Lug. **(For Stainless Kit: Bolt is Stainless, but Baffle lug is not)**

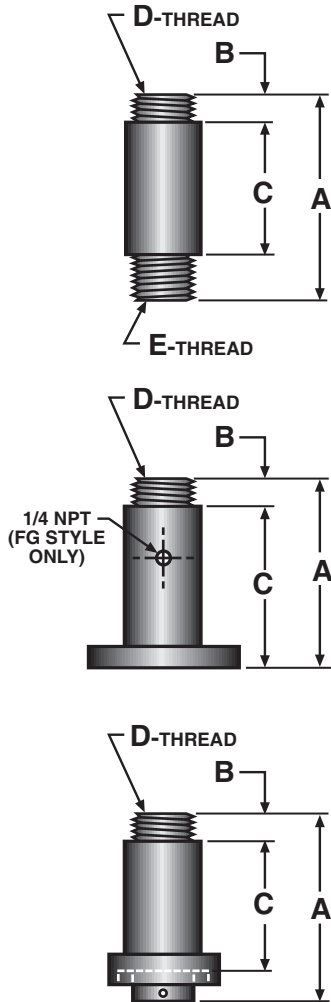
NOTE: End Cover Only Includes: (1) End Cover, (1) Buna-N Gasket

High Capacity Spin-On Adapters
 Converts standard breather installation to accept a high efficiency spin-on air breather



Features:

- **Material** - Anodized 6061 Aluminum
- **Flange Adapter** - Accepts 1 1/2-16 UN Threaded Spin-On Filters and uses the same mounting bolt circle as our Filler Breather Screens and comes complete with mounting hardware and gaskets.
- **Bayonet Adapters** - Accept either 1 1/2-16 UN, 1 1/8-16 UN or 1-12 UN threaded Spin-On Filters, fits all popular filler breather bayonet flanges and utilizes a Buna-N gasket to insure proper sealing.



NPT Style Spin-On

Part Number	A	B	C	D	E
FBS-10012-012P	2.80	.435	1.572	1-12 UN	3/4 -NPT
FBS-10216-012P	2.80	.435	1.572	1 1/8-16 UN	3/4 -NPT
FBS-10816-104P	3.25	.435	1.945	1 1/2-16 UN	1 1/4 -NPT

Flange Style Spin-On

Part Number	A	B	C	D
FBS-10816-F	3.051	.435	2.295	1 1/2-16 UN
FBS-10816-FG	4.756	.435	4.321	1 1/2-16 UN

Bayonet Style Spin-On

Part Number	A	B	C	D
FBS-10012-B	2.135	.435	1.05	1-12 UN
FBS-10216-B	2.135	.435	1.05	1 1/8-16 UN
FBS-10816-B	2.135	.435	1.05	1 1/2-16 UN

Allows Filtered Air to Easily Flow in and out of the Hydraulic Reservoir while Preventing Airborne Contaminants from Entering the System.

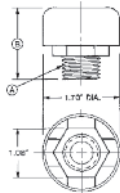


Filler Breather Caps

Types & Features:

- A** Cap - 20 GPM, 10 Micron Filter, Stainless Steel
- D** Cap - 30 GPM, 10 Micron Filter, Stainless Steel
- H** Cap - 120 GPM, 10 Micron Filter, Stainless Steel
- K** Cap - Pressure Cap, 20 PSI-no relief, 10 Micron Filter, Chrome Plated
- MB** Cap - 10 GPM, 10 Micron Filter, Shatter Resistant Plastic (Temp Rating 225°F)

MB Type - Mini Breather



Type	Part Number	Mounting Type	Overall Height	Outside Diameter
A	FB-C-A	Bayonet	1.33	2.55
D	FB-C-D	Bayonet	1.30	2.55
H	FB-C-H	Bayonet	1.33	2.55
K	FB-C-K	Bayonet	.94	2.88
MB	FB-C-MB-P004	1/4 NPT	1.80	1.70
MB	FB-C-MB-P006	3/8 NPT	1.50	1.70
MB	FB-C-MB-P008	1/2 NPT	1.60	1.70
MB	FB-C-MB-P012	3/4 NPT	1.60	1.70

Mounting Flanges

Features:

- Blue Zinc Plated
- Available in Three Lengths



Part Number	Height	Description	Code
FB-F-008	.500	008 Mounting Flange	008
FB-F-108	1.50	108 Mounting Flange	108
FB-F-600	6.00	600 Mounting Flange	600

Filler Breather Screens

Materials & Features:



Part Number	Code	Mesh	Material	Length
FB-S-N *	N	200 Mesh	Brass	6.00
FB-S-P	P	30 Mesh	Nylon	4.00
FB-S-R *	R	30 Mesh	Brass	4.00
FB-S-S *	S	30 Mesh	Zinc	14.50
FB-S-V *	V	30 Mesh	Brass	9.25
FB-S-W	W	30 Mesh	Stainless	3.25
FB-S-X	X	30 Mesh	Stainless	6.25
FB-S-Y	Y	30 Mesh	Stainless	8.25
FB-S-Z	Z	30 Mesh	Stainless	10.25

* Check with factory for availability

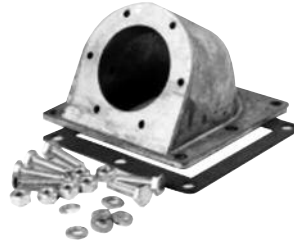
Filler Breather Options:



PL - Pad Lock



L - Locking Cap



SM - Side Mounting Kit



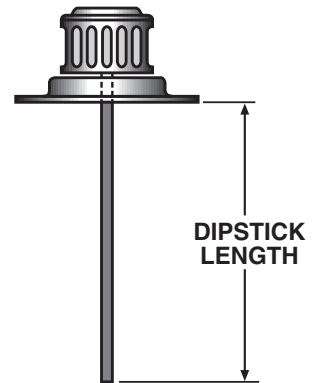
D - Dipstick

Part Number	Code	Description
FB-O-PL	PL	Pad Lock - not included with locking cap option
FB-O-L	L	Cap Lock Kit
FB-O-SM	SM	Side Mounting Kit
FB-O-D	D	Dipstick - specify length, measured from bottom of mounting flange to end of dipstick

How to Order:

Standard Assemblies:

Code	Description
FB-A008W	Stainless Steel, Weatherproof, 10 micron, 20 GPM Cap; 1/2" Mounting Flange; 30 mesh, 3 1/4", Stainless Steel Screen
FB-A008P	Stainless Steel, Weatherproof, 10 micron, 20 GPM Cap; 1/2" Mounting Flange; 30 mesh, 4", Nylon Screen
FB-K008W	Pressurized, Chrome Plated, 20 PSI Cap; 1/2" Mounting Flange; 30 mesh, 3 1/4", stainless steel Screen



Custom Assemblies:

Select the components that best meet your particular hydraulic system requirements and custom build the part number as follows:



FB - A 008 Y - D8

Code	Option
Blank	No Options
PL	Pad Lock
L	Locking Cap
SM	Side Mount
D	Dipstick

Code	Cap Type
A	A Cap
D	D Cap
H	H Cap
K	K Cap

Code	Mounting Flange
008	1/2" Height
108	1 1/2" Height
600	6" Height

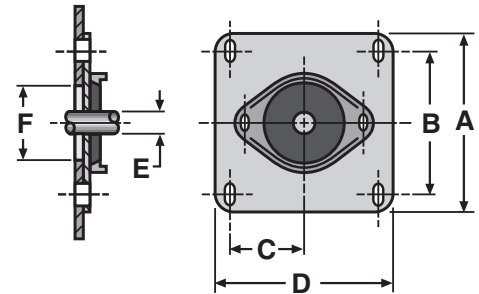
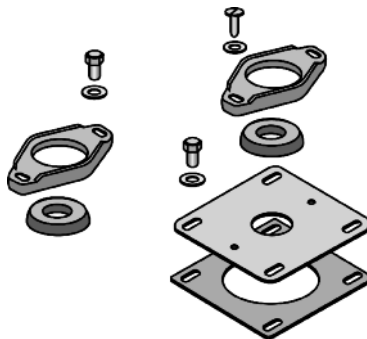
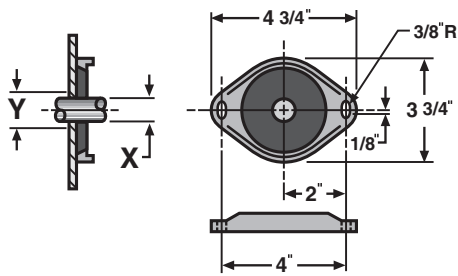
Code	Screen Material
N	6" Brass
P	4" Nylon
R	4" Brass
S	14 1/2" Zinc Plated
V	9 1/4" Brass
W	3 1/4" Stainless
X	6 1/4" Stainless
Y	8 1/2" Stainless
Z	10 1/4" Stainless

Reservoir Flanges

Premium Line Suction and Return Line Flanges - heavy duty, positive sealing Suction and Return Line Flanges

Features:

- Positive Urethane Seal - protects against particulate and liquid contamination.
- Mounting Hardware - required screws, bolts, washers and gaskets are included.
- Available in Many Popular Tube and Pipe Sizes - 1/2" thru 2" Pipe and Tube.
- Large Suction Line Flange Plate - allows easy access for suction line strainer installation and maintenance.
- Rigid/Heavy Duty Zinc Plated Die Cast Flange - will not deflect or distort, provides sealing forces to urethane seal.



Pipe Sizes: from 1/2" to 2"

Return Line Flange:

Part Number	Nominal Pipe Size	Pipe OD X	Clearance Hole Dia. Y
RLF-008P	1/2"	0.84	1.00
RLF-012P	3/4"	1.05	1.19
RLF-100P	1"	1.32	1.44
RLF-104P	1 1/4"	1.66	1.81
RLF-108P	1 1/2"	1.90	2.06
RLF-200P	2"	2.38	2.50

Suction Line Flange:

Part Number	Nominal Pipe Size	A	B	C	D	Pipe OD E	Clearance Hole Dia. F
SLF-008P	1/2"	5.50	4.25	2.12	5.25	0.84	4.25
SLF-012P	3/4"	5.50	4.25	2.12	5.25	1.05	4.25
SLF-100P	1"	5.50	4.25	2.12	5.25	1.32	4.25
SLF-104P	1 1/4"	5.50	4.25	2.12	5.25	1.66	4.25
SLF-108P	1 1/2"	7.50	6.25	3.12	7.25	1.90	6.25
SLF-200P	2"	7.50	6.25	3.12	7.25	2.38	6.25

Tube Sizes: from 1/2" to 2"

Return Line Flange:

Part Number	Nominal Tube Size	Tube OD X	Clearance Hole Dia. Y
RLF-008T	1/2"	0.50	.75
RLF-012T	3/4"	.75	1.00
RLF-100T	1"	1.00	1.25
RLF-104T	1 1/4"	1.25	1.50
RLF-108T	1 1/2"	1.50	1.75
RLF-200T	2"	2.0	2.25

Suction Line Flange:

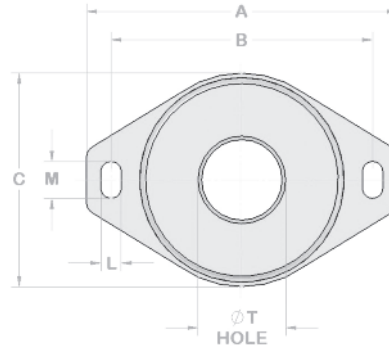
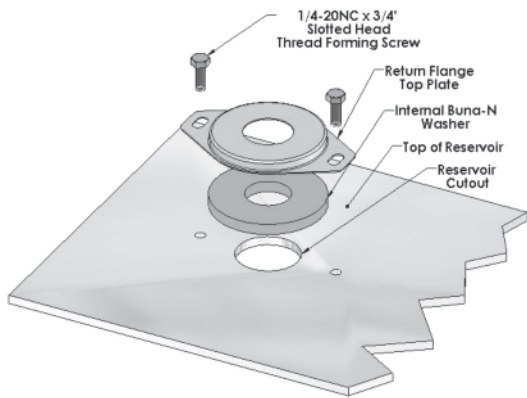
Part Number	Nominal Tube Size	A	B	C	D	Tube OD E	Clearance Hole Dia. F
SLF-008T	1/2"	5.50	4.25	2.12	5.25	0.50	4.25
SLF-012T	3/4"	5.50	4.25	2.12	5.25	.75	4.25
SLF-100T	1"	5.50	4.25	2.12	5.25	1.00	4.25
SLF-104T	1 1/4"	5.50	4.25	2.12	5.25	1.25	4.25
SLF-108T	1 1/2"	7.50	6.25	3.12	7.25	1.50	6.25
SLF-200T	2"	7.50	6.25	3.12	7.25	2.00	6.25

Economy Line Suction and Return Line Flanges - an alternative to the Magnaloy Premium Line of Suction and Return Line Flanges.

Features:

- Tight Fitting Buna-N Washer to provide positive sealing against contaminants.
- Required Mounting Hardware included.
- Available in Many Popular Tube and Pipe Sizes.
- 2 Large Flange Plate Sizes offered in Suction Line Flanges provide easy access to Suction Line Strainer.

Economy Return Line Flanges:



Mounting Hole Dimensions:

L	M
5/16	9/16

Pipe Sizes:

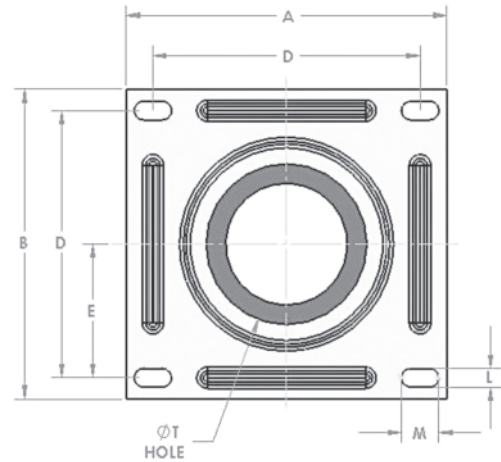
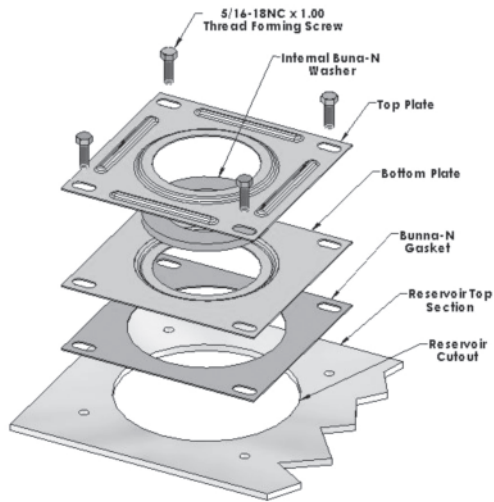
Part Number	Nominal Pipe Size	A	B	C	T ²	Reservoir Cutout
RLFE-000P ¹	N/A	4 3/4	4	3 1/8	1 3/16	N/A
RLFE-008P	1/2"	4 3/4	4	3 1/8	1 3/16	1 3/16
RLFE-012P	3/4"	4 3/4	4	3 1/8	1 3/4	1 3/4
RLFE-100P	1"	4 3/4	4	3 1/8	1 3/4	1 3/4
RLFE-104P	1 1/4"	4 3/4	4	3 1/8	2 1/2	2 1/2
RLFE-108P	1 1/2"	4 3/4	4	3 1/8	2 1/2	2 1/2
RLFE-200P	2"	4 3/4	4	3 1/8	2 1/2	2 1/2

Tube Sizes:

Part Number	Nominal Tube Size	A	B	C	T ²	Reservoir Cutout
RLFE-006T	3/8"	4 3/4	4	3 1/8	1 3/16	1 3/16
RLFE-008T	1/2"	4 3/4	4	3 1/8	1 3/16	1 3/16
RLFE-012T	3/4"	4 3/4	4	3 1/8	1 3/16	1 3/16
RLFE-100T	1"	4 3/4	4	3 1/8	1 3/4	1 3/4
RLFE-104T	1 1/4"	4 3/4	4	3 1/8	2 1/2	2 1/2
RLFE-108T	1 1/2"	4 3/4	4	3 1/8	2 1/2	2 1/2
RLFE-200T	2"	4 3/4	4	3 1/8	2 1/2	2 1/2

¹ Use this Blank Flange for covering unused openings or for custom Pipe or Tube Sizes.
² Opening in metal flange - required clearance to Pipe or Tube OD.

Economy Suction Line Flanges:



Mounting Hole Dimensions:

L	M
7/16	7/8

Pipe Sizes:

Part Number	Nominal Pipe Size	A	B	D	E	T ²	Reservoir Cutout
SLFE-500-000P ¹	N/A	5 1/2	5 1/4	4 1/4	2 1/8	1 3/16	4 1/2
SLFE-500-008P	1/2"	5 1/2	5 1/4	4 1/4	2 1/8	1 3/16	4 1/2
SLFE-500-012P	3/4"	5 1/2	5 1/4	4 1/4	2 1/8	1 3/16	4 1/2
SLFE-500-100P	1"	5 1/2	5 1/4	4 1/4	2 1/8	1 3/4	4 1/2
SLFE-500-104P	1 1/4"	5 1/2	5 1/4	4 1/4	2 1/8	1 3/4	4 1/2
SLFE-500-108P	1 1/2"	5 1/2	5 1/4	4 1/4	2 1/8	1 3/4	4 1/2
SLFE-500-200P	2"	5 1/2	5 1/4	4 1/4	2 1/8	2 1/2	4 1/2
SLFE-700-108P	1 1/2"	7 1/2	7 1/4	6 1/4	3 1/8	3 1/8	6 1/2
SLFE-700-200P	2"	7 1/2	7 1/4	6 1/4	3 1/8	3 1/8	6 1/2
SLFE-700-208P	2 1/2"	7 1/2	7 1/4	6 1/4	3 1/8	3 3/4	6 1/2
SLFE-700-300P	3"	7 1/2	7 1/4	6 1/4	3 1/8	3 3/4	6 1/2

Tube Sizes:

Part Number	Nominal Tube Size	A	B	D	E	T ²	Reservoir Cutout
SLFE-500-006T	3/8"	5 1/2	5 1/4	4 1/4	2 1/8	1 3/16	4 1/2
SLFE-500-008T	1/2"	5 1/2	5 1/4	4 1/4	2 1/8	1 3/16	4 1/2
SLFE-500-012T	3/4"	5 1/2	5 1/4	4 1/4	2 1/8	1 3/16	4 1/2
SLFE-500-100T	1"	5 1/2	5 1/4	4 1/4	2 1/8	1 3/4	4 1/2
SLFE-500-104T	1 1/4"	5 1/2	5 1/4	4 1/4	2 1/8	1 3/4	4 1/2
SLFE-500-108T	1 1/2"	5 1/2	5 1/4	4 1/4	2 1/8	1 3/4	4 1/2

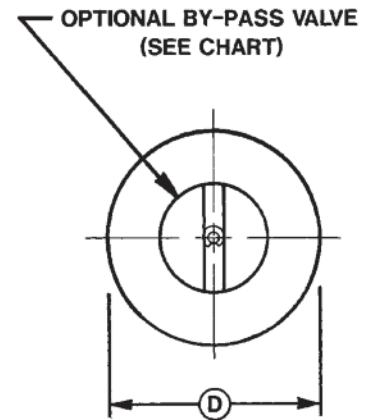
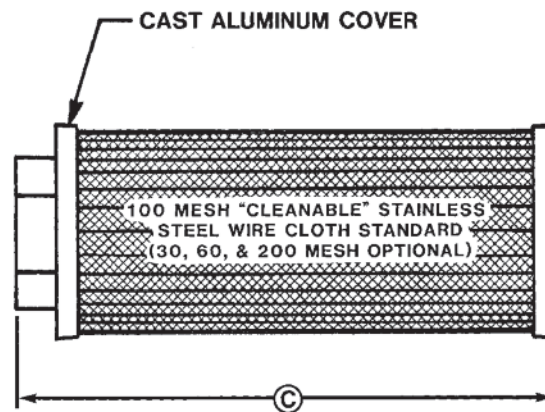
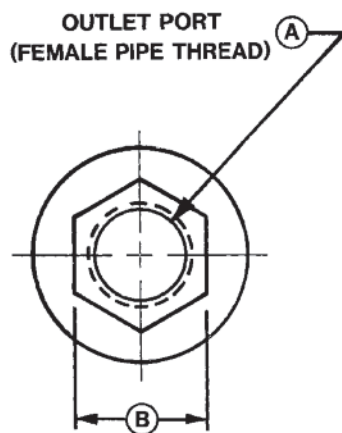
1 Use this Blank Flange for covering unused openings or for custom Pipe or Tube Sizes.
 2 Opening in metal flange - required clearance to Pipe or Tube OD.

Internally Mounted Tank Filters - your front-line defense against particle contamination



Features:

- Die cast aluminum end covers.
- By-Pass valve available on most models(see tables).
- End caps are designed to provide a positive interlock with epoxy bond to prevent leakage.
- Rated flow capacity at 5 ft/sec.
- Suitable with all petroleum base oils and fire retardant hydraulic fluids, coolants and lubricants.



Part Number	A Outlet Port	B Wrench Flat	C Overall Length	D Outside Diameter	Rated Flow @ 5 ft/sec
SS-003P006-1-0 ¹	3/8" NPT	1.20"	3.00"	2.75"	3 GPM
SS-005P008-1-X ¹	1/2" NPT	1.20"	3.25"	2.75"	5 GPM
SS-008P012-1-X ¹	3/4" NPT	1.50"	3.25"	2.75"	8 GPM
SS-010P100-1-X ¹	1" NPT	1.75"	5.50"	2.75"	10 GPM
SS-023P104-X-X	1 1/4" NPT	2.25"	6.60"	3.20"	23 GPM
SS-032P108-X-X	1 1/2" NPT	2.35"	8.60"	3.20"	32 GPM
SS-053P200-X-X	2" NPT	3.00"	7.20"	4.20"	53 GPM
SS-075P208-X-X	2 1/2" NPT	3.50"	9.30"	4.20"	75 GPM

1 - Standard 100 Mesh, contact factory for other Mesh sizes.

How to Order:

SS-003P006-1-0

Model Code
003P006
005P008
008P012
014P100
023P104
032P108
053P200
075P208

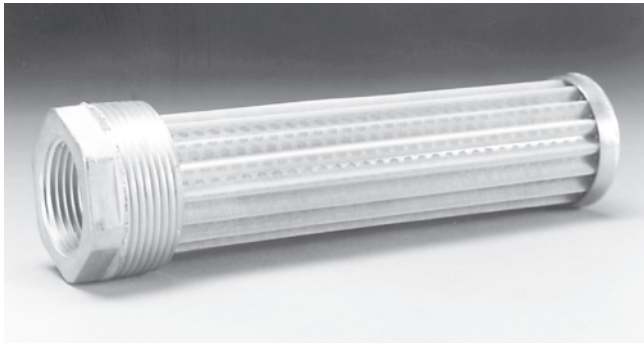
Code	By-Pass Valve Setting
0	No By-Pass Valve
3	3 PSI
5	5 PSI

Code	Wire Cloth Mesh
1	100 Mesh (Std)
2	200 Mesh
3	30 Mesh
6	60 Mesh

Suction Strainers

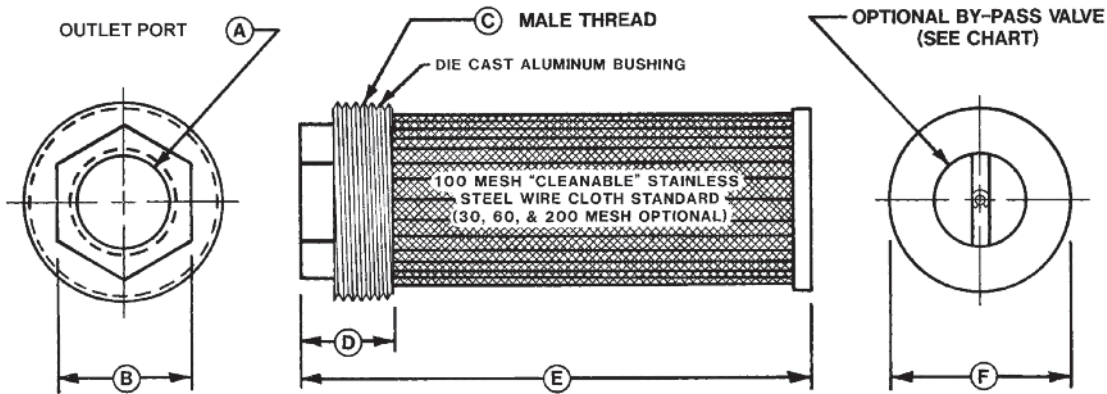


Externally Mounted Tank Filters - your front-line defense against particle contamination



Features:

- Die cast aluminum end covers.
- By-Pass valve available on most models(see tables).
- End caps are designed to provide a positive interlock with epoxy bond to prevent leakage.
- Rated flow capacity at 5 ft/sec.
- Suitable with all petroleum base oils and fire retardant hydraulic fluids, coolants and lubricants.



Part Number	A Outlet Port	B Hex Size	C Male Thread	D Fitting Length	E Overall Length	F Cover Diameter	Rated Flow @ 5 ft/sec
SS-008P012/P104-X-X	3/4" NPT	1.50"	1 1/4" NPT	1.10"	6.90"	1.50"	8 GPM
SS-014P100/P108-X-X	1" NPT	1.75"	1 1/2" NPT	1.10"	6.90"	1.70"	14 GPM
SS-014P100/P300-X-X	1" NPT	2.50"	3" NPT	1.50"	4.70"	3.20"	14 GPM
SS-014S020/P300-X-X	#20 SAE	2.50"	3" NPT	1.50"	8.70"	3.20"	14 GPM
SS-021S024/P300-X-X	#24 SAE	2.50"	3" NPT	1.50"	8.70"	3.20"	21 GPM
SS-023P104/P200-X-X	1 1/4" NPT	2.10"	2" NPT	1.20"	9.10"	2.20"	23 GPM
SS-023P104/P300-X-X	1 1/4" NPT	2.50"	3" NPT	1.50"	6.70"	3.20"	23 GPM
SS-032P108/P300-X-X	1 1/2" NPT	2.50"	3" NPT	1.50"	8.70"	3.20"	32 GPM
SS-053P200/P300-X-X	2" NPT	3.06"	3" NPT	1.60"	8.80"	3.20"	53 GPM
SS-053P200/P400-X-X	2" NPT	4.13"	4" NPT	1.80"	7.70"	4.20"	53 GPM
SS-075P208/P400-X-X	2 1/2" NPT	4.13"	4" NPT	2.10"	9.70"	4.20"	75 GPM

How to Order:

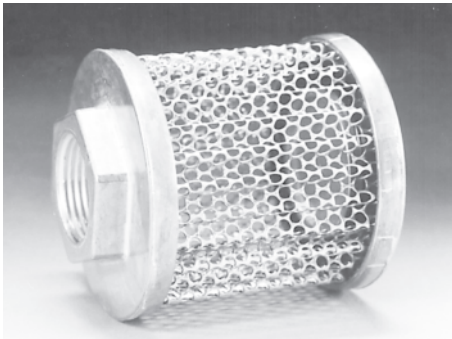
SS-008P012/P104-1-0

Model Code
008P012/P104
014P100/P108
014P100/P300
014S020/P300
021S024/P300
023P104/P200
023P104/P300
032P108/P300
053P200/P300
053P200/P400
075P208/P400

Code	By-Pass Valve Setting
0	No By-Pass Valve
3	3 PSI
5	5 PSI

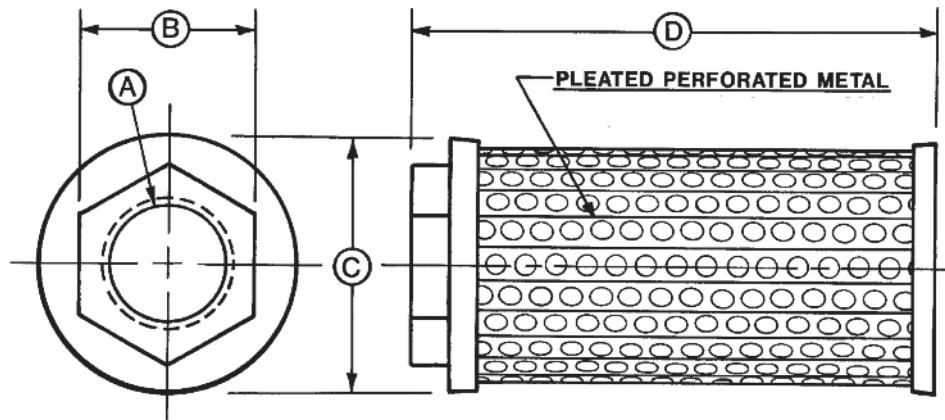
Code	Wire Cloth Mesh
1	100 Mesh (Std)
2	200 Mesh
3	30 Mesh
6	60 Mesh

Internally Mounted Tank Diffusers - evenly disperses return line fluid for heat dissipation and prevents fluid aeration.



Features:

- Die cast aluminum end covers.
- End caps are designed to provide a positive interlock with epoxy bond to prevent leakage.
- Rated flow capacity at 15 ft/sec.
- Suitable with all petroleum base oils and fire retardant hydraulic fluids, coolants and lubricants.



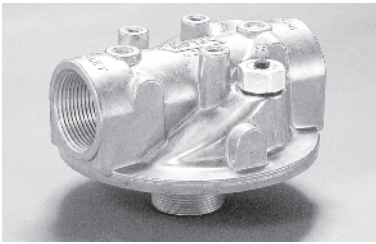
Part Number	A Outlet Port	B Wrench Flat	C Outside Diameter	D Overall Length	Rated Flow @ 15ft/sec	Area Ratio *
TD-014P008-D1	1/2" NPT	1.20"	1.30"	3.00"	14 GPM	16:1
TD-014P008-D2	1/2" NPT	1.13"	3.20"	2.30"	14 GPM	35:1
TD-025P012-D1	3/4" NPT	1.50"	1.70"	3.90"	25 GPM	18:1
TD-025P012-D2	3/4" NPT	1.75"	3.20"	2.20"	25 GPM	20:1
TD-040P100-D1	1" NPT	1.75"	1.90"	4.90"	40 GPM	19:1
TD-040P100-D2	1" NPT	1.75"	3.20"	3.60"	40 GPM	27:1
TD-070P104-D1	1 1/4" NPT	2.25"	3.20"	4.60"	70 GPM	22:1
TD-095P108-D1	1 1/2" NPT	2.25"	3.20"	5.60"	95 GPM	21:1
TD-157P200-D1	2" NPT	3.00"	4.20"	6.20"	157 GPM	17:1
TD-224P208-D1	2 1/2" NPT	3.50"	4.20"	10.30"	224 GPM	22:1

* Ratio Area is the Ratio of the Perforated Metal Open Area to the Pipe Internal Area.

Spin-On Filter Heads



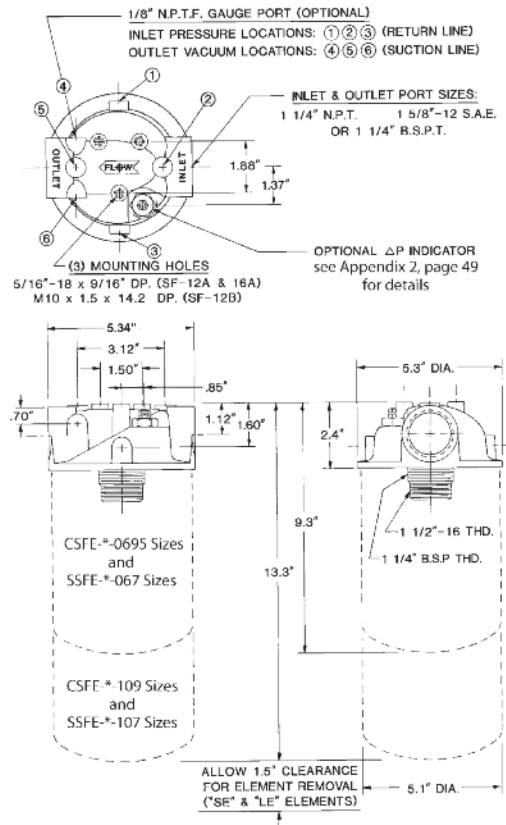
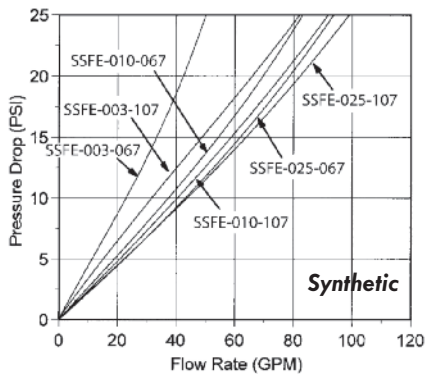
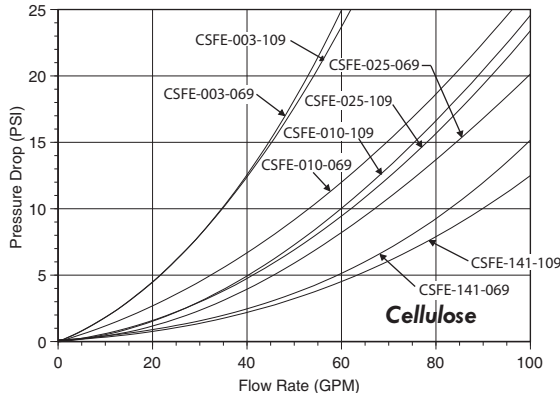
Spin-On Filter Head with ΔP Indicator Option:



Features:

- Flow Rates up to 70 GPM on Return (25 GPM Suction).
- Port Sizes 1 1/4" NPT, #20 SAE, or 1 1/4" BSPT.
- Maximum Operating Pressure of 200 PSI (**Warning: 80 PSI ΔP maximum without by-pass valve.**)
- Maximum Operating Temperature of 250°F.
- Suitable for Petroleum based fluids only (consult factory for synthetic fluids).

Average Pressure Drop Through Clean Filter Assembly with 150 SUS Oil at 105° F.



How to Order:

SFH-P104/00-0-0-00

Code	Port Size & Type	
	Inlet Port	Outlet Port
P104	1 1/4" NPT	1 1/4" NPT
S020	#20 SAE	#20 SAE
B104	1 1/4" BSPT	1 1/4" BSPT

Code	By-Pass Valve Setting
00	No By-Pass
03	3 PSI
05	5 PSI
15	15 PSI
25	25 PSI
50	50 PSI

Code	Gauge Port Location (see above)
0	No Gauge Port
1,2,3	Inlet Pressure (Return Line)
4,5,6	Outlet Vacuum (Suction Line)

Code	ΔP Indicator Setting
00	No Indicator
04	4 PSID
13	13 PSID
22	22 PSID
44	44 PSID

Code	Indicator Option	Indicator Series
O	No Indicator	None
V	Visual Indicator	DP03 Series
E	DC Electric Single Wire	DP06 Series
B	Vis/Elec w/DIN Conn.	DP05 Series



Application Data:

- Maximum Operating Pressure: 200 PSI All Models (**Warning: 80 PSI ΔP maximum without by-pass valve in Filter Head.**)
- Operating Temperature: -65° F to 250° F.
- Fluid Compatibility: Suitable for Petroleum based fluids only (consult factory for synthetic fluids).
- Gasket: Buna N Gasket Standard, fluorocarbon Gasket optional, consult factory.
- Filter Element Interchange: Consult factory or local distributor for information.
- Internal Combustion Engines: **CAUTION! Do Not Use SFE or SSFE Series filter elements on IC Engines.**
- Reference: 2/20/75 Beta_x Rating - see Appendix for more information
 - Beta_x Rating of 2 = 50% Efficiency (Nominal Rating)
 - Beta_x Rating of 20 = 95% Efficiency
 - Beta_x Rating of 75 = 98.7% Efficiency (Absolute Rating)

Spin-On Filter Elements

Cellulose Media Series: For use with Magnaloy SHF Series Spin-On Filter Head

Part Number	Outside Diameter	Mounting Thread	Micron Rating	Beta Rating (see below)	Filter Media Area	Color Can/Imprint	Water Holding Capacity	Overall Length
CSFE-003-069	5.1"	1 1/2-16 UN	3 Micron	3/10/22	850 in ²	White/Green		6.9"
CSFE-010-069	5.1"	1 1/2-16 UN	10 Micron	9/22/24	950 in ²	White/Red		6.9"
CSFE-025-069	5.1"	1 1/2-16 UN	25 Micron	29/46/54	950 in ²	White/Black		6.9"
CSFE-141-069	5.1"	1 1/2-16 UN	141 Micron		200 in ²	White/Blue		6.9"
CSFE-003-109	5.1"	1 1/2-16 UN	3 Micron	3/10/22	1170 in ²	White/Green		10.9"
CSFE-003-109/WA	5.1"	1 1/2-16 UN	3 Micron	5/21/23	648 in ²	White/Orange	15 oz.	10.9"
CSFE-010-109	5.1"	1 1/2-16 UN	10 Micron	10/22/33	1710 in ²	White/Red		10.9"
CSFE-010-109/WA	5.1"	1 1/2-16 UN	10 Micron	8/25/30	648 in ²	White/Orange	15 oz.	10.9"
CSFE-025-109	5.1"	1 1/2-16 UN	25 Micron	29/46/54	1710 in ²	White/Black		10.9"
CSFE-141-109	5.1"	1 1/2-16 UN	141 Micron		380 in ²	White/Blue		10.9"

Synthetic Media Series: (Z-Glass Media) For use with Magnaloy SHF Series Spin-On Filter Head

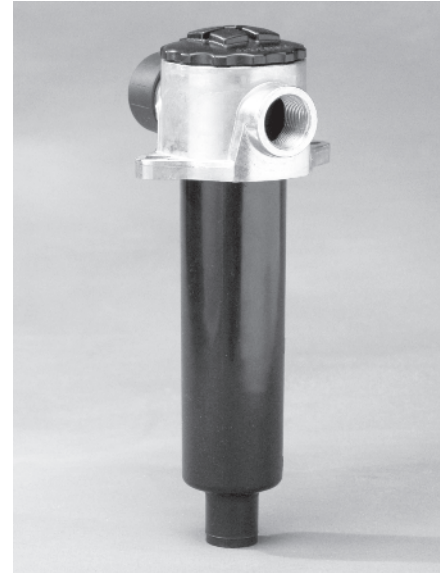
Part Number	Outside Diameter	Mounting Thread	Micron Rating	Beta Rating (see below)	Filter Media Area	Color Can/Imprint	Water Holding Capacity	Overall Length
SSFE-003-067	5.1"	1 1/2-16 UN	3 Micron	2/3/4	680 in ²	White/Green		6.7"
SSFE-010-067	5.1"	1 1/2-16 UN	10 Micron	4/10/12	561 in ²	White/Red		6.7"
SSFE-025-067	5.1"	1 1/2-16 UN	25 Micron	8/25/30	673 in ²	White/Black		6.7"
SSFE-003-107	5.1"	1 1/2-16 UN	3 Micron	2/3/4	1260 in ²	White/Green		10.7"
SSFE-010-107	5.1"	1 1/2-16 UN	10 Micron	4/10/12	1041 in ²	White/Red		10.7"
SSFE-025-107	5.1"	1 1/2-16 UN	25 Micron	8/25/30	1246 in ²	White/Black		10.7"

Tank Top Filters

Integral Tank Breather Series

Features:

- Flow Rates up to 25 GPM (Return)
- Port Sizes: 1/2" NPT, 3/4" NPT
#8 SAE, #12 SAE
1/2" BSPT, 3/4" BSPT
- Maximum Operating Pressure of 100 PSI (300 PSI Burst pressure) 25 PSI By-Pass included.
- Operating Temperature Range: -15° F of 230° F.
- Head Material: Die Cast Aluminum Alloy
- Bowl/Cover Material: Nylon
- Breather: 10 Micron Foam (Standard)
- Suitable for Petroleum based fluids only (consult factory for synthetic fluids).



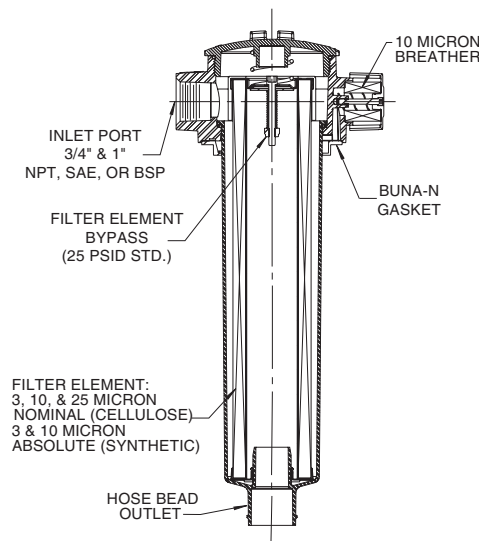
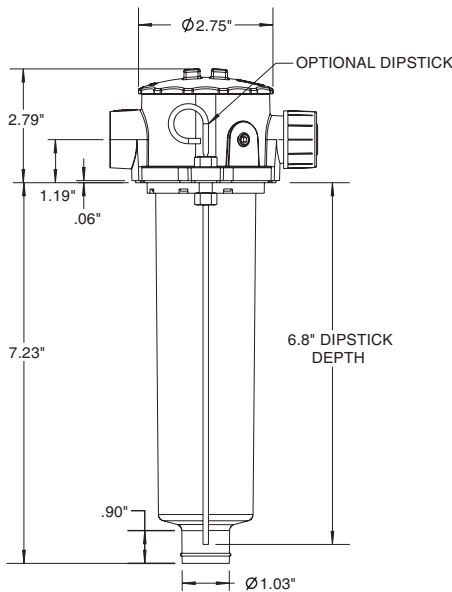
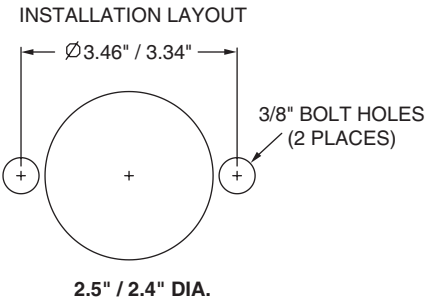
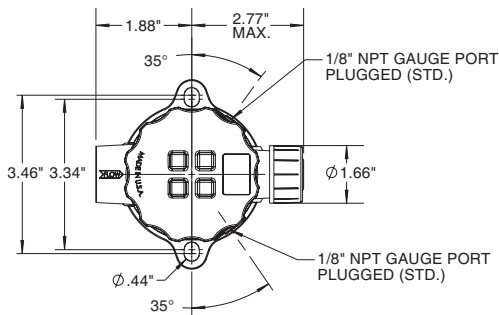
How to Order:

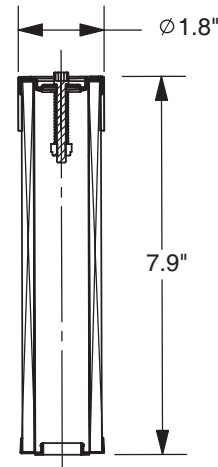
TTF-ITB-P008-0

Series: Integral Tank Breather

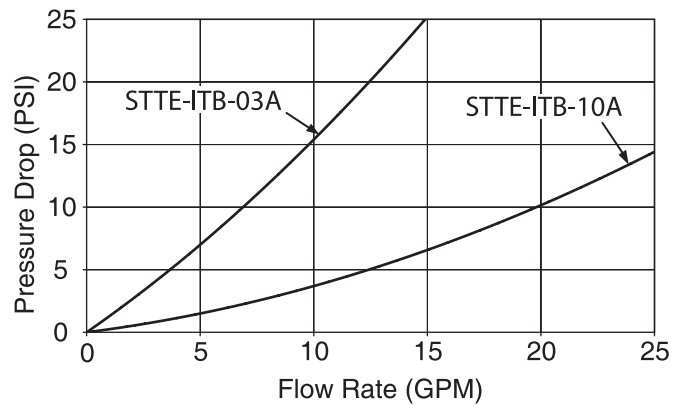
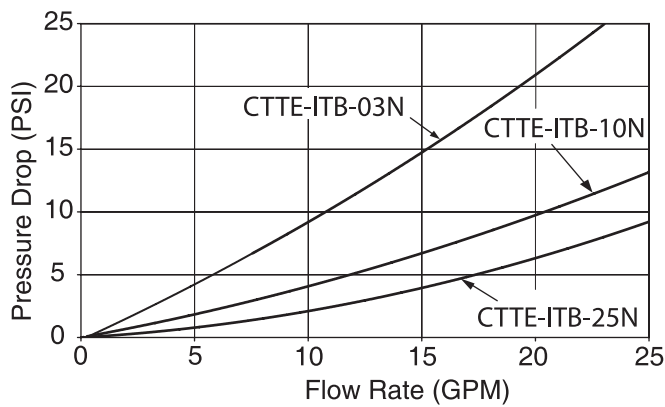
Code	Dipstick Option
0	No Dipstick
D	w/Dipstick (9.84" length)

Code	Port Size	Code	Port Size
P008	1/2" NPT	S012	#12 SAE
P012	3/4" NPT	B008	1/2" BSP
S008	#8 SAE	B012	3/4" BSP





Average Pressure Drop through clean assembly with 150 SUS Oil at 105° F



Tank Top Filter Elements

Cellulose Media Series: for use with Magnaloy Series TTF-ITB Tank Top Filter Head

Part Number	Micron Rating	Media Type	Filtration Rating
CTTE-ITB-03N	3 Nominal	Cellulose	Beta ₃ = 5.3
CTTE-ITB-10N	10 Nominal	Cellulose	Beta ₁₀ = 5.3
CTTE-ITB-25N	25 Nominal	Cellulose	Beta ₂₅ = 2.9

Synthetic Media Series: (Z-Glass Media) for use with Magnaloy Series TTF-ITB Tank Top Filter Head

Part Number	Micron Rating	Media Type	Filtration Rating
STTE-ITB-03A	3 Absolute	Z Glass Synthetic	Beta ₃ = 200
STTE-ITB-10A	10 Absolute	Z Glass Synthetic	Beta ₁₀ = 200

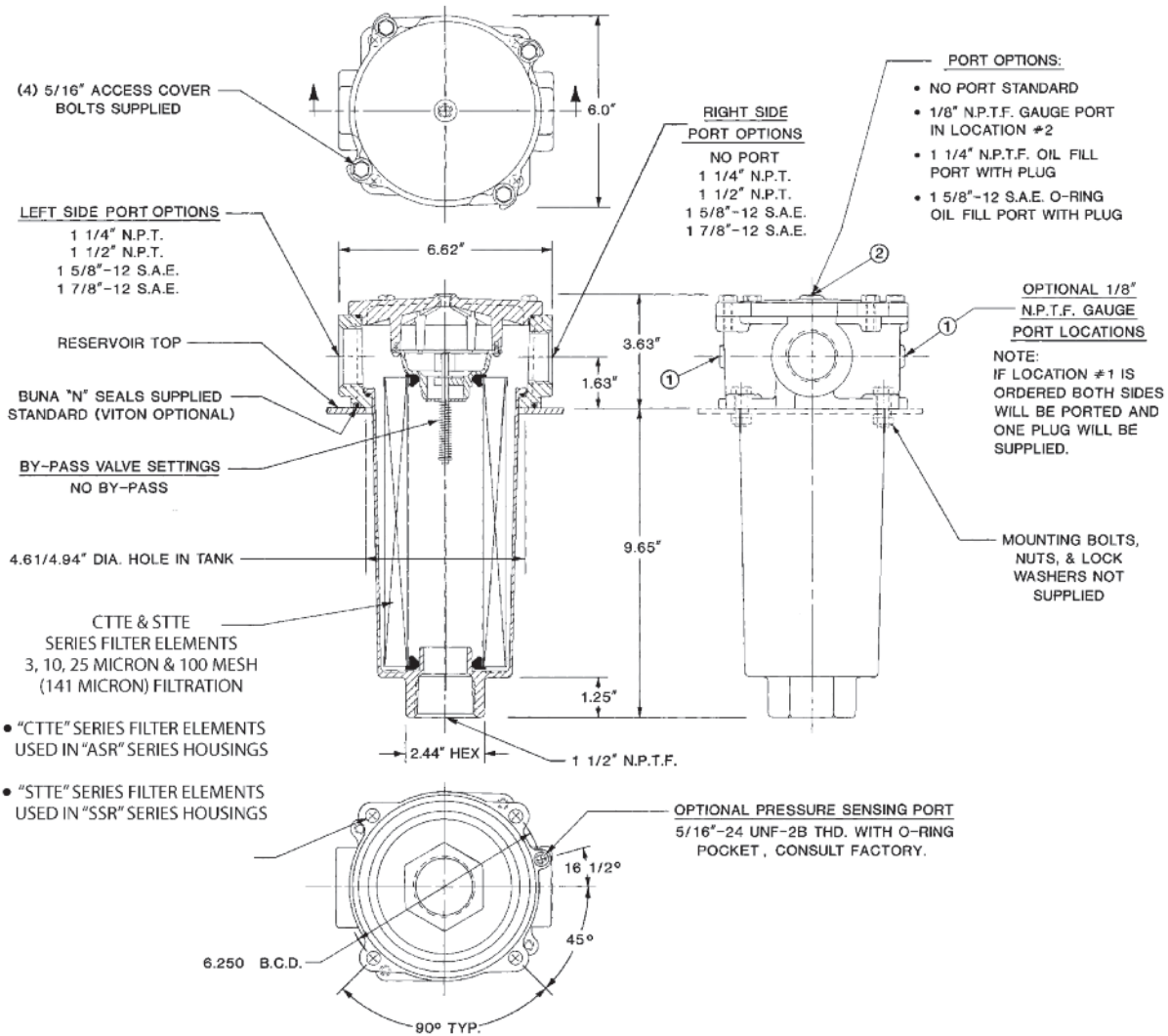
Tank Top Filters

Suction/Return Line Series



Features:

- Flow Rates: Aluminum Housing; 96 GPM (Return), 32 GPM (Suction)
Steel Housing; 71 GPM (Return), 24 GPM (Suction)
- Port Sizes: 1 1/4" NPT, 1 1/2" NPT
#20 SAE, #24 SAE
1 1/4" BSPT
- Maximum Operating Pressure: 100 PSI (**Warning:** 80 PSI ΔP maximum without by-pass valve in Filter Head).
- Operating Temperature: up to 250° F.
- Material: Die Cast Aluminum Alloy or Steel
- Unitized cover and By-Pass Valve assembly - no parts to loose.
- Drop-in Element Bowl design for easy installation
- Patented element bowl hold down for suction applications.
- Radial seal design used in CTTE and STTE series filter elements
- O-Ring seal between filter housing and tank top
- Suitable for Petroleum based fluids only (consult factory for synthetic fluids).



How to Order:

TTF-ASR-P104/P104-03-10-0

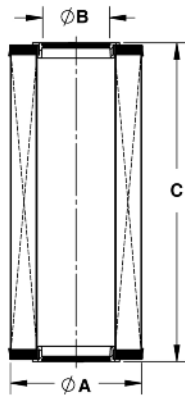
Code	Material/Series
ASR	Aluminum Suction/Return
SSR	Steel Suction/Return

Code	Check Valve Option
0	No Check Valve
V	with Check Valve

Code	Port Size & Type	
	Left Side Port	Right Side Port
P104/000	1 1/4" NPT	None
B104/000	1 1/4" BSPT	None
P104/P104	1 1/4" NPT	1 1/4" NPT
B104/B104	1 1/4" BSPT	1 1/4" BSPT
P108/000	1 1/2" NPT	None
P108/P104	1 1/2" NPT	1 1/4" NPT
P108/P108	1 1/2" NPT	1 1/2" NPT
S020/000	#20 SAE	None
S020/S020	#20 SAE	#20 SAE
S024/000	#24 SAE	None
S024/S024	#24 SAE	#24 SAE

Code	Gauge & Oil Fill Port Location
10	Gauge Port in Location 1, No Oil Fill Port
12	Gauge Port in Location 1&2, No Oil Fill Port
1P	Gauge Port in Location 1, 1 1/4" NPT Fill Port with Plug
1S	Gauge Port in Location 1, #12 SAE Fill Port with Plug

Code	By-Pass Valve Option
00	No By-Pass
03	3 PSI By-Pass (Suction)
05	5 PSI By-Pass (Suction)
15	15 PSI By-Pass (Return)
25	25 PSI By-Pass (Return)
50	50 PSI By-Pass (Return)

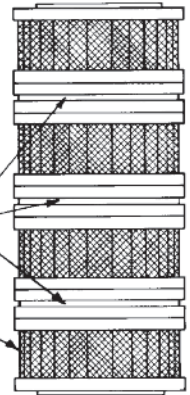


Magnetic Elements

Part Numbers
 CTTE-ASR-100-092-OI/M
 CTTE-ASR-100-092-IO/M

Three - 4" diameter x 5/8" thick ceramic magnets

Four - 100 mesh wire cloth filter sections



Cellulose Media Series: for use with Magnaloy Series TTF-ASR Tank Top Filter

Part Number	Filtration Rating	Filtration Rating	Filter Media Area	A OD	B ID	C Length	Flow Direction Thru Element
CTTE-ASR-003-092-BD	Beta ₃ = 5.3	Beta ₁₀ = 75	1120 in ²	3.91"	1.96"	9.19"	Bi-Directional
CTTE-ASR-003-092-OI/WA**	Beta ₃ = 5.3	Beta ₁₀ = 75	461 in ²	3.91"	1.96"	9.19"	Outside to Inside
CTTE-ASR-010-092-BD	Beta ₁₀ = 5.3	Beta ₂₂ = 75	1120 in ²	3.91"	1.96"	9.19"	Bi-Directional
CTTE-ASR-025-092-BD	Beta ₂₅ = 2.9	Beta ₄₇ = 20	1120 in ²	3.91"	1.96"	9.19"	Bi-Directional
CTTE-ASR-010-182-BD	Beta ₁₀ = 5.3	Beta ₂₂ = 75	2240 in ²	3.91"	1.96"	18.19"	Bi-Directional
CTTE-ASR-025-182-BD	Beta ₂₅ = 2.9	Beta ₄₇ = 20	2240 in ²	3.91"	1.96"	18.19"	Bi-Directional
CTTE-ASR-100-092-OI*	141 Micron		151 in ²	3.91"	1.96"	9.19"	Outside to Inside
CTTE-ASR-100-092-IO*	141 Micron		151 in ²	3.91"	1.96"	9.19"	Inside to Outside
CTTE-ASR-100-092-OI/M*	141 Micron		109 in ²	3.91"	1.96"	9.19"	Outside to Inside
CTTE-ASR-100-092-IO/M*	141 Micron		109 in ²	3.91"	1.96"	9.19"	Inside to Outside
CTTE-ASR-100-182-OI*	141 Micron		2240 in ²	3.91"	1.96"	18.19"	Outside to Inside

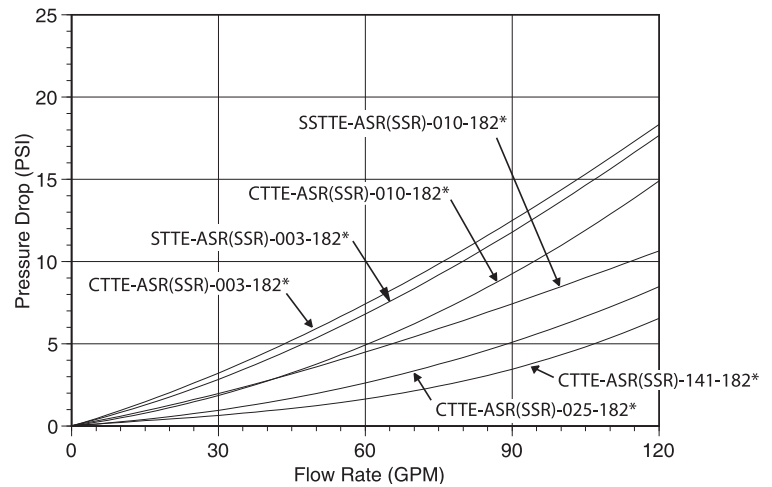
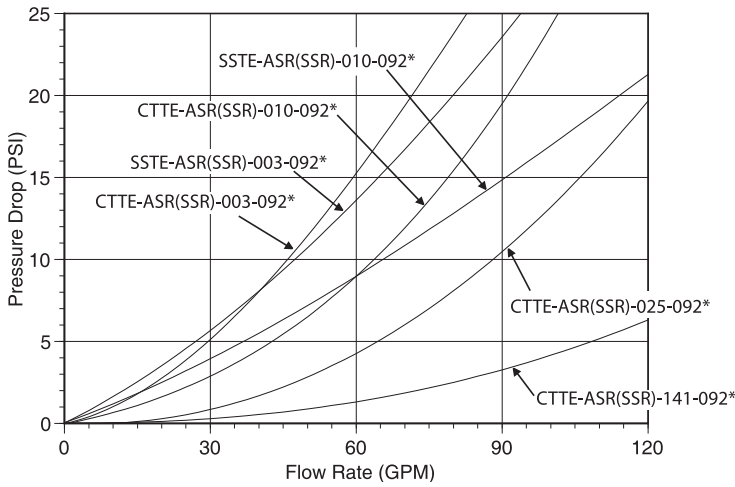
Synthetic Media Series: for use with Magnaloy Series TTF-ASR Tank Top Filter

Part Number	Filtration Rating	Filtration Rating	Filter Media Area	A OD	B ID	C Length	Flow Direction Thru Element
STTE-ASR-003-092-OI	Beta ₃ > 200		825 in ²	3.91"	1.96"	9.19"	Outside to Inside
STTE-ASR-010-092-OI	Beta ₁₀ > 200		825 in ²	3.91"	1.96"	9.19"	Outside to Inside
STTE-ASR-003-182-OI	Beta ₃ > 200		1650 in ²	3.91"	1.96"	18.19"	Outside to Inside
STTE-ASR-010-182-OI	Beta ₁₀ > 200		1650 in ²	3.91"	1.96"	18.19"	Outside to Inside

Note:

- * 100 Mesh Stainless Steel Wire Cloth is standard for 141 Micron Elements, 30, 60 & 200 optional - consult factory
- ** Filter Elements CTTE-ASR-409-03-IO/WA & CTTE-ASR-409-10-OI/WA contain Aqua-Zorb (water absorbing) filter media. ASR Elements come standard with a Buna-N radial seal, Fluorocarbon optional -consult factory

Average Pressure Drop through clean filter with 150 SUS Oil at 105° F



Cellulose Media Series: for use with Magnaloy Series TTF-SSR Tank Top Filter

Part Number	Filtration Rating	Filtration Rating	Filter Media Area	A OD	B ID	C Length	Flow Direction Thru Element
CTTE-SSR-003-092-BD	Beta ₃ = 5.3	Beta ₁₀ = 75	1120 in ²	3.91"	1.61"	9.19"	Bi-Directional
CTTE-SSR-010-092-BD	Beta ₁₀ = 5.3	Beta ₂₂ = 75	1220 in ²	3.91"	1.61"	9.19"	Bi-Directional
CTTE-SSR-010-092-OI/WA**	Beta ₁₀ = 5.3	Beta ₂₂ = 75	461 in ²	3.91"	1.61"	9.19"	Outside to Inside
CTTE-SSR-025-092-BD	Beta ₂₅ = 2.9	Beta ₄₇ = 20	1120 in ²	3.91"	1.61"	9.19"	Bi-Directional
CTTE-SSR-010-182-BD	Beta ₁₀ = 5.3	Beta ₂₂ = 75	461 in ²	3.91"	1.61"	18.19"	Bi-Directional
CTTE-SSR-025-182-BD	Beta ₂₅ = 2.9	Beta ₄₇ = 20	2240 in ²	3.91"	1.61"	18.19"	Bi-Directional
CTTE-SSR-100-092-OI*	141 Micron		151 in ²	3.91"	1.61"	9.19"	Outside to Inside
CTTE-SSR-100-092-IO*	141 Micron		151 in ²	3.91"	1.61"	9.19"	Inside to Outside
CTTE-SSR-100-092-OI/M*	141 Micron		109 in ²	3.91"	1.61"	9.19"	Outside to Inside
CTTE-SSR-100-092-IO/M*	141 Micron		109 in ²	3.91"	1.61"	9.19"	Inside to Outside

Synthetic Media Series: for use with Magnaloy Series TTF-SSR Tank Top Filter

Part Number	Filtration Rating	Filtration Rating	Filter Media Area	A OD	B ID	C Length	Flow Direction Thru Element
STTE-SSR-003-092-OI	Beta ₃ > 200		825 in ²	3.91"	1.61"	9.19"	Outside to Inside
STTE-SSR-010-092-OI	Beta ₁₀ > 200		825 in ²	3.91"	1.61"	9.19"	Outside to Inside
STTE-SSR-003-182-OI	Beta ₃ > 200		1650 in ²	3.91"	1.61"	18.19"	Outside to Inside
STTE-SSR-010-182-OI	Beta ₁₀ > 200		1650 in ²	3.91"	1.61"	18.19"	Outside to Inside

Note:

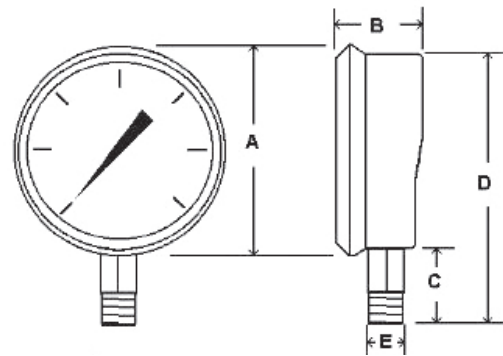
- * 100 Mesh Stainless Steel Wire Cloth is standard for 141 Micron Elements, 30, 60 & 200 optional - consult factory
- ** Filter Elements CTTE-SSR-409-03-IO/WA & CTTE-SSR-409-10-OI/WA contain Aqua-Zorb (water absorbing) filter media. SSR Elements come standard with a Buna-N radial seal, Fluorocarbon optional -consult factory

Liquid Filled Pressure Gauges - high quality construction, dampened movement, accurate readings

Bottom Stem Series

Features:

- Glycerine Filled (available Dry - consult factory)
- Built-in snubber dampens the effects of pressure pulsations
- Phosphor Bronze Bourdon Tube
- Plastic Lens Standard (Glass Available)
- Stainless Steel Case and Bezel (Brass Connection and Internal Parts)
- Accuracy: 2 1/2" Dial = ANSI GRADE A, 4" Dial = ANSI GRADE 1A
- Temperature Range: 30° F to 160° F Filled (-30° F to 180° F Dry)
- Dual Scale Readings in PSI and Bar (x100 = kPa)



Code	Dial Range*	Major Increments*	Minor Increments*
03C	30/0/30 "Hg/PSI Compound	10 "Hg/PSI	1 "Hg/PSI
003	0/30 PSI	5 PSI	0.5 PSI
006	0/60 PSI	10 PSI	1 PSI
010	0/100 PSI	20 PSI	2 PSI
016	0/160 PSI	20 PSI	2 PSI
030	0/300 PSI	50 PSI	5 PSI
050	0/500 PSI	100 PSI	10 PSI
060	0/600 PSI	100 PSI	10 PSI
100	0/1000 PSI	200 PSI	20 PSI
150	0/1500 PSI	200 PSI	20 PSI
200	0/2000 PSI	400 PSI	50 PSI
300	0/3000 PSI	500 PSI	50 PSI
400	0/4000 PSI	500 PSI	50 PSI
500	0/5000 PSI	1000 PSI	100 PSI
600	0/6000 PSI	2000 PSI	200 PSI
10K	0/10,000 PSI	2000 PSI	200 PSI

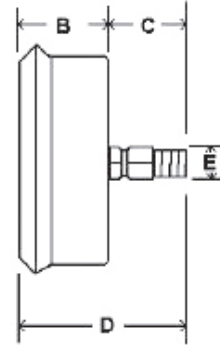
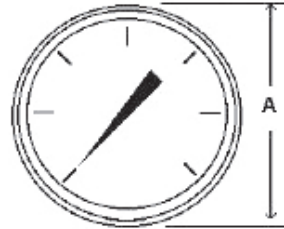
Size	2 1/2" Dial		4" Dial	
	Inch	mm	Inch	mm
A	2.80	71	4.32	110
B	1.28	33	1.63	42
C	1.07	27	1.25	32
D	3.55	90	5.57	141
E	1/4" NPT		1/4" NPT	
			1/2" NPT	

* Compound Range reads 30 "Hg Vacuum to 30 PSI Pressure with the Major Dial Increments reading 10 "Hg or 10 PSI and the Minor Dial Increments reading 1 "Hg or 1 PSI. All other Gauges read in PSI only.

Rear Stem Series

Features:

- See Bottom Stem Series - same with exception below
- Accuracy: 2 1/2" Dial = 1.5% of Full Scale, 4" Dial = 1% of Full Scale



Code	Dial Range*	Major Increments*	Minor Increments*
03C	30/0/30 "Hg/PSI Compound	10 "Hg/PSI	1 "Hg/PSI
003	0/30 PSI	5 PSI	0.5 PSI
006	0/60 PSI	10 PSI	1 PSI
010	0/100 PSI	20 PSI	2 PSI
016	0/160 PSI	20 PSI	2 PSI
030	0/300 PSI	50 PSI	5 PSI
060	0/600 PSI	100 PSI	10 PSI
100	0/1000 PSI	200 PSI	20 PSI
150	0/1500 PSI	200 PSI	20 PSI
200	0/2000 PSI	400 PSI	50 PSI
300	0/3000 PSI	500 PSI	50 PSI
500	0/5000 PSI	1000 PSI	100 PSI
10K	0/10,000 PSI	1000 PSI	100 PSI

Size	2 1/2" Dial		4" Dial	
	Inch	mm	Inch	mm
A	2.80	71	4.32	110
B	1.28	33	1.63	42
C	1.18	30	1.14	29
D	2.46	63	2.77	71
E	1/4" NPTF		1/4" NPT	

* Compound Range reads 30 "Hg Vacuum to 30 PSI Pressure with the Major Dial Increments reading 10 "Hg or 10 PSI and the Minor Dial Increments reading 1 "Hg or 1 PSI. All other Gauges read in PSI only.

How to Order:

LFPG-400-003 04N/BS

Code	Dial Face Diameter
208	2 1/2 inch
400	4 inch

Code	Dial Range
	See Tables Above

Code	Mounting Type
BS	Bottom Stem
RS	Rear Stem

Code	Fitting Thread
04N	1/4" NPT
08N	1/2" NPT *

* Available in Bottom Stem Series Only with 4" Dial

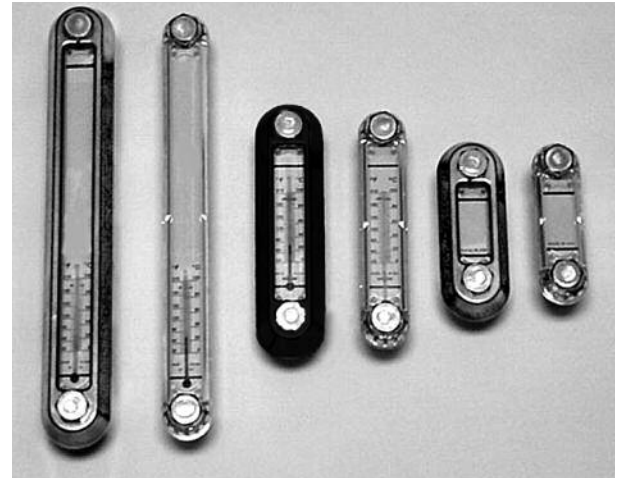
Liquid Level Gauges

For Continuous reading of Fluid Level and Temperature

Standard Line - Liquid Column Series

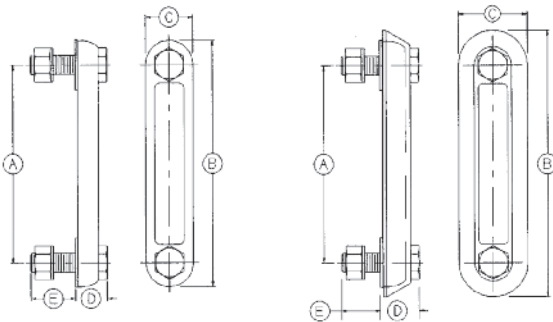
Features:

- UV Resistant Transparent Dupont Grilamid Case
- All-Around Visibility of the Fluid Level
- Buna-N O-ring Seals
- Zinc Plated Bolts
- Available with Optional Cast Aluminum Cover to Provide additional breakage protection
- Includes Thermometer with Blue Fluid for easy readings
- 212° F Maximum Temperature Rating
- For use with Petroleum and Water Base Hydraulic Fluids, consult factory for other fluids



W/Out Cover

With Cover



Part Number	Description	A	B	C	D	E
SLLG-03T	Std 3" w/temp	3.00"	4.22"	1.22"	0.81"	1.16"
SLLG-03T-C	Std 3" w/temp & Cover	3.00"	4.75"	1.75"	0.93"	0.82"
SLLG-05T	Std 5" w/temp	5.00"	6.22"	1.22"	0.81"	1.16"
SLLG-05T-C	Std 5" w/temp & Cover	5.00"	6.75"	1.75"	0.93"	0.82"
SLLG-10T	Std 10" w/temp	10.00"	11.22"	1.22"	0.81"	1.16"
SLLG-10T-C	Std 10" w/temp & Cover	10.00"	11.75"	1.75"	0.93"	0.82"

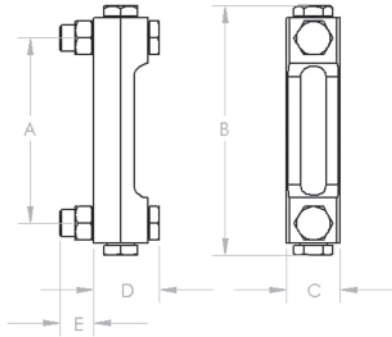
Premium Line - Liquid Column Series

Features:

- Borosilicate sight glass compatible with all hydraulic fluids and will not discolor
- 20 PSI maximum working pressure at 250° F
- May be front mounted by threaded tank holes or rear mounted with provided nuts
- Mounting bolts provide 1/16" alignment adjustment to facilitate installation
- Low profile body offers wide sight opening for visibility
- Machined from solid Aluminum bar stock
- Includes internal thermometer - external thermometer available - consult factory



Premium Line (continued)



Part Number	Description	A	B	C	D	E
PLLG-03T	Premium 3" w/temp	3.00"	4.63"	1.00"	1.23"	0.75"
PLLG-05T	Premium 5" w/temp	5.00"	6.63"	1.00"	1.23"	0.75"
PLLG-10T	Premium 10" w/temp	10.00"	11.63"	1.00"	1.23"	0.75"

How to Order:

SLLG-03T-C-2

Code	Series
SLLG	Standard Liquid Level Gauge
PLLG	Premium Liquid Level Gauge

Code	Bolt Center Distance
03	3"
05	5"
10	10"

Code	Mounting Bolt Option
Blank	1/2-13 UNC (1)
2	M12 x 1.75 Metric (2)
3	M10 x 1.50 Metric (2)

Code	Cover (Guard) Option
Blank	No Cover
C	with Cover (3)

Notes:

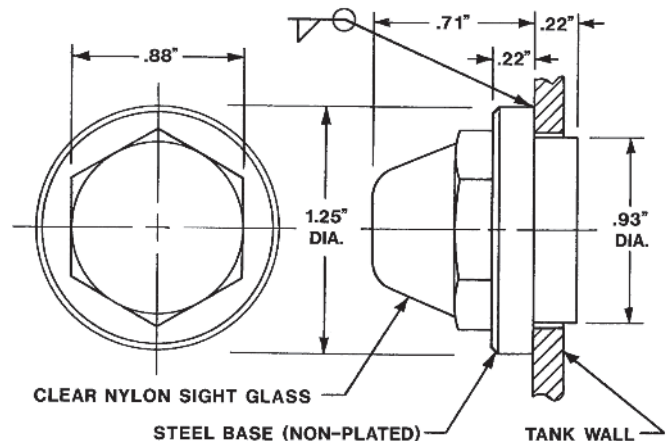
- 1 - 1/2-20 UNF with Premium Line
- 2 - Not Available with Premium Line
- 3 - Premium Line design incorporates integral gauge guard

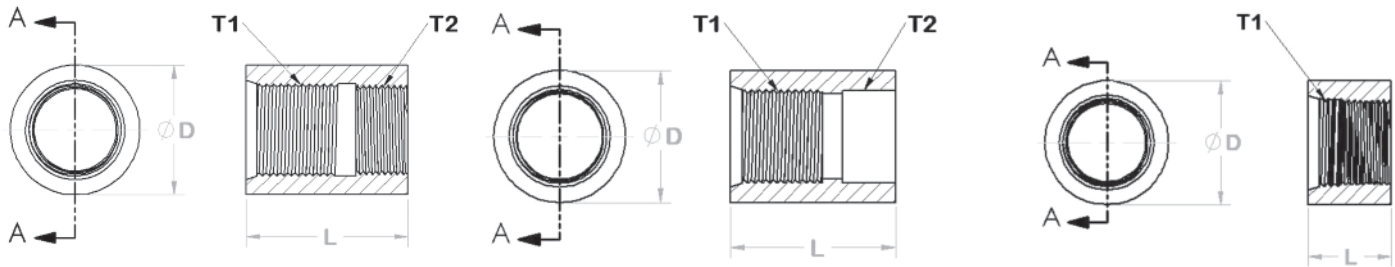
Sight Glass Series

Features:

- Clear Nylon Fluid Level sight glass with Steel Collar for weld attachment to reservoir
- 400 PSI maximum working pressure
- Temperature Range: -65° F to 150° F for pressure applications
- For use with Petroleum Base and Water Base Hydraulic Fluids

Order Part Number: SLSG-100





Full Couplings

Socket Weld Full Couplings

Half Couplings

SAE to NPT Full Couplings:

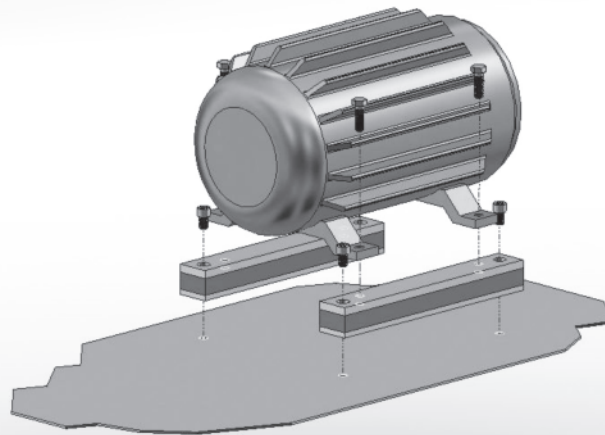
Part Number	D Diameter	L Length	T1 SAE Size	T1 Thread	T2 Thread
4S-4N	0.75	1.375	#4	7/16-20 UNF	1/4" NPT
6S-6N	1.00	1.50	#6	9/16-18 UNF	3/8" NPT
8S-8N	1.25	1.50	#8	3/4-16 UNF	1/2" NPT
10S-8N	1.25	1.50	#10	7/8-14 UNF	1/2" NPT
12S-12N	1.50	1.875	#12	1-1/16-12 UN	3/4" NPT
16S-16N	1.75	2.00	#16	1-5/16-12 UN	1" NPT

SAE to Socket Weld Full Couplings:

Part Number	D Diameter	L Length	T1 SAE Size	T1 Thread	T2 Socket
8S-8W	1.25	1.50	#8	3/4-16 UNF	1/2" Pipe
10S-8W	1.25	1.50	#10	7/8-14 UNF	1/2" Pipe
12S-12W	1.50	1.875	#12	1-1/16-12 UN	3/4" Pipe
16S-16W	1.75	2.00	#16	1-5/16-12 UN	1" Pipe
20S-20W	2.00	2.25	#20	1-5/8-12 UN	1-1/4" Pipe
24S-24W	2.50	2.375	#24	1-7/8-12 UN	1-1/2" Pipe

SAE Half Couplings:

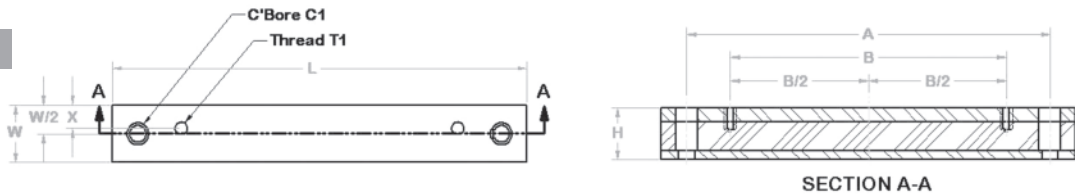
Part Number	D Diameter	L Length	T1 SAE Size	T1 Thread	T2 Thread
4S	0.75	0.75	#4	7/16-20 UNF	N/A
6S	1.00	0.75	#6	9/16-18 UNF	N/A
8S	1.25	0.75	#8	3/4-16 UNF	N/A
10S	1.25	0.875	#10	7/8-14 UNF	N/A
12S	1.50	1.00	#12	1-1/16-12 UN	N/A
16S	1.75	1.25	#16	1-5/16-12 UN	N/A
20S	2.00	1.25	#20	1-5/8-12 UN	N/A
24S	2.50	1.25	#24	1-7/8-12 UN	N/A



Features:

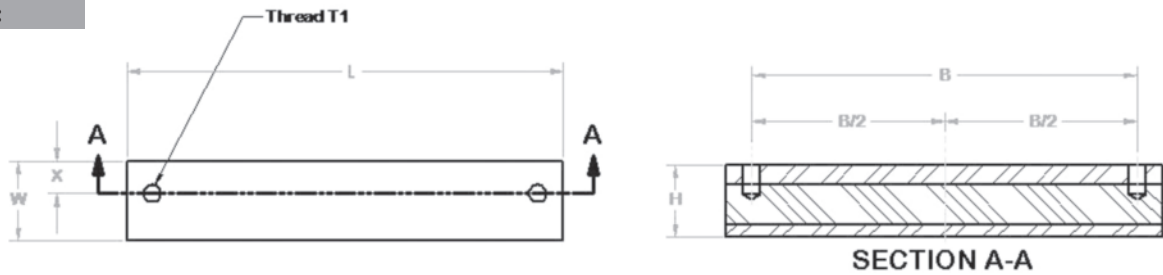
- Reduces noise and vibrations
- Available to accommodate NEMA frame sizes 056C thru 405TC (Metric sizes available - consult factory)
- Strong vulcanized rubber-to-metal bond results in no metal-to-metal contact
- Bolt down or weld in place for easy installation directly to tank top
- Weld pads are available for simple safe mounting option
- Supplied in sets of two (2) bars for each motor

Bolt Down Series:



Part Number	Motor Frame	Dampening Bar Dimensions (inches)							
		L	W	H	A	B	X	C1 for	T1
MDB056-B	056C	7.25	1.97	1.57	5.75	3.0	.875	1/2-13	5/16-18
MDB143-B	143TC	7.75	1.97	1.57	6.25	4.0	.812	1/2-13	5/16-18
MDB145-B	145TC	8.75	1.97	1.57	7.25	5.0	.812	1/2-13	5/16-18
MDB182-B	182TC	8.75	1.97	1.57	7.25	4.5	.938	1/2-13	3/8-16
MDB184-B	184TC	9.75	1.97	1.57	8.25	5.5	.938	1/2-13	3/8-16
MDB213-B	213TC	10.0	1.97	1.57	8.50	5.5	.938	1/2-13	3/8-16
MDB215-B	215TC	11.5	1.97	1.57	10.0	7.0	.938	1/2-13	3/8-16
MDB254-B	254TC	13.0	1.97	1.77	11.5	8.25	.938	1/2-13	1/2-13
MDB256-B	256TC	14.75	1.97	1.77	13.25	10.0	.938	1/2-13	1/2-13
MDB284-B	284TC/TSC	14.5	2.76	2.36	12.75	9.5	1.125	5/8-11	1/2-13
MDB286-B	286TC/TSC	16.0	2.76	2.36	14.25	11.0	1.125	5/8-11	1/2-13
MDB324-B	324TC/TSC	16.0	3.15	2.36	14.0	10.5	1.562	3/4-10	5/8-11
MDB326-B	326TC/TSC	17.5	3.15	2.36	15.5	12.0	1.562	3/4-10	5/8-11
MDB364-B	364TC/TSC	17.0	3.15	2.36	15.0	11.25	1.562	3/4-10	5/8-11
MDB365-B	365TC/TSC	18.0	3.15	2.36	16.0	12.25	1.562	3/4-10	5/8-11
MDB404-B	404TC/TSC	19.5	3.94	2.36	17.25	12.25	2.0	1-8	3/4-10
MDB405-B	405TC/TSC	21.0	3.94	2.36	18.75	13.75	2.0	1-8	3/4-10
MDB444-B	444TC/TSC	23.0	4.72	2.36	20.75	14.5	2.375	1-8	3/4-10
MDB445-B	445TC/TSC	26.0	4.72	2.36	23.75	16.5	2.375	1-8	3/4-10

Weld Series:



Part Number	Motor Frame	Dampening Bar Dimensions (inches)					
		L	W	H	B	X	T1
MDB056-W	056C	4.75	1.97	1.57	3.0	.875	5/16-18
MDB143-W	143TC	5.50	1.97	1.57	4.0	.812	5/16-18
MDB145-W	145TC	6.50	1.97	1.57	5.0	.812	5/16-18
MDB182-W	182TC	6.0	1.97	1.57	4.5	.938	3/8-16
MDB184-W	184TC	7.0	1.97	1.57	5.5	.938	3/8-16
MDB213-W	213TC	7.75	1.97	1.57	5.5	.938	3/8-16
MDB215-W	215TC	9.0	1.97	1.57	7.0	.938	3/8-16
MDB254-W	254TC	10.5	1.97	1.77	8.25	.938	1/2-13
MDB256-W	256TC	12.25	1.97	1.77	10.0	.938	1/2-13
MDB284W	284TC/TSC	12.0	2.76	2.36	9.5	1.125	1/2-13
MDB286-W	286TC/TSC	13.25	2.76	2.36	11.0	1.125	1/2-13
MDB324-W	324TC/TSC	12.5	3.15	2.36	10.5	1.562	5/8-11
MDB326-W	326TC/TSC	14	3.15	2.36	12.0	1.562	5/8-11
MDB364-W	364TC/TSC	13.5	3.15	2.36	11.25	1.562	5/8-11
MDB365-W	365TC/TSC	14.5	3.15	2.36	12.25	1.562	5/8-11
MDB404-W	404TC/TSC	15.5	3.94	2.36	12.25	2.0	3/4-10
MDB405-W	405TC/TSC	17.0	3.94	2.36	13.75	2.0	3/4-10
MDB444-W	444TC/TSC	19.5	4.72	2.36	14.5	2.375	3/4-10
MDB445-W	445TC/TSC	21.0	4.72	2.36	16.5	2.375	3/4-10

CAUTION !

Welding Directly to the Magnaloy Motor Dampening Bar can cause damage to the metal-to-rubber bond resulting in premature failure. Welding should be limited to the ends only (across the “W” dimension) to prevent damage to the rubber vulcanization by the heat generated during the welding process. Extreme care should be exercised whenever welding to assemblies containing vulcanized rubber. Bond Separation will occur if the metal/rubber surface interface reaches a temperature above 500 °F.

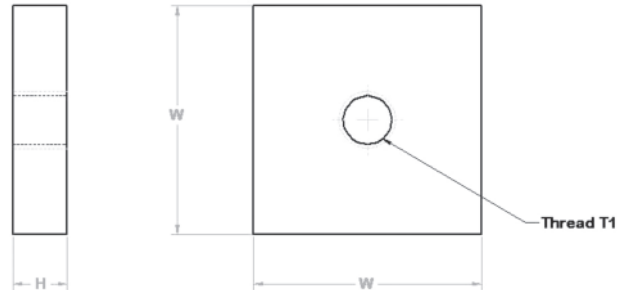
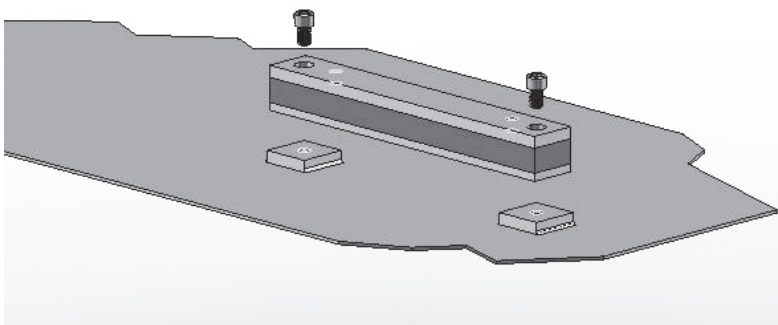
Magnaloy offers a solution to this situation - the **Magnaloy Weld Pad Kit**.

See page 44 for details.

Weld Pad Kit:

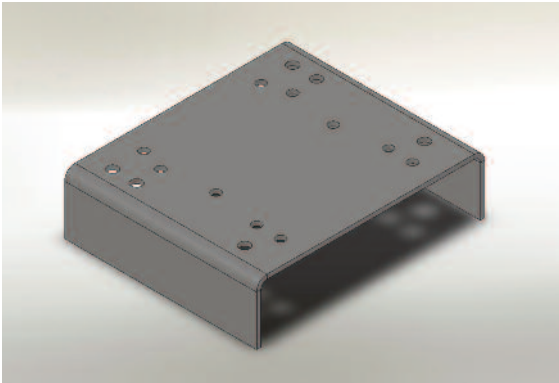
Features:

- Allows simple bolt down installation and design flexibility with drilling and tapping the reservoir surface.
- Eliminates the possibility of heat damage to rubber vulcanization caused by welding directly on the dampening bar.
- Available in sizes to accommodate all Magnaloy Motor Dampening Bars.
- Provides additional motor height to give added design flexibility and plumbing options.
- Supplied in sets of four (4) pads per kit (one set for each motor).



Part Number	Fits Motor Frames	Weld Pad Dimensions (inches)		
		W	H	T1
MWP056-256	056C thru 256TC	2.0	.50	1/2-13 UNC
MWP284-286	284TC/TSC thru 286TC/TSC	2.75	.50	5/8-11 UNC
MWP324-365	324TC/TSC thru 365TC/TSC	2.75	.75	3/4-10 UNC
MWP404-405	404TC/TSC thru 405TC/TSC	4.0	.75	3/4-10 UNC
MWP444-445	444TC/TSC thru 445TC/TSC	4.75	.75	1-8 UNC

Motor Base Plate:



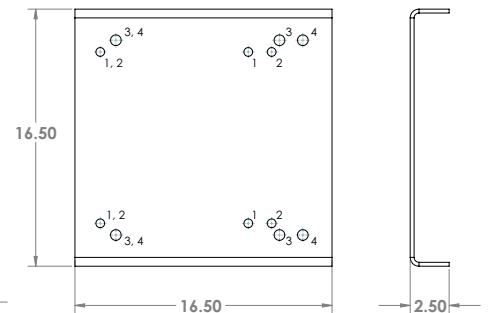
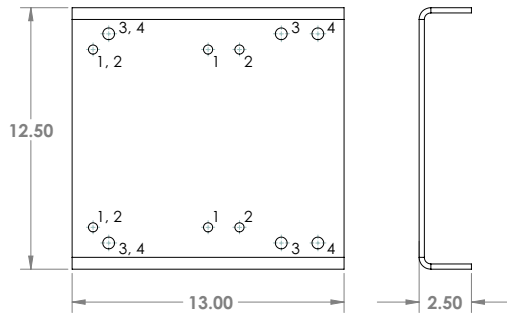
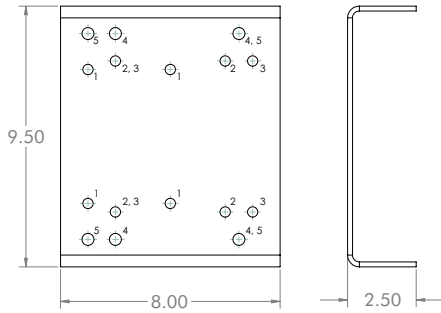
Features:

- Simplifies motor mounting to Reservoir top by eliminates drilling and threading on Reservoir.
- Base Plate welds directly on the Reservoir top or Porch on "L" Tanks
- Available in sizes to accommodate NEMA 056C through 326TC/TSC frame sizes.
- Provides additional motor height to give added design flexibility and plumbing options.
- Each size accomodates several NEMA frame sizes.
- Made from heavy gauge (7ga on 056 size and 1/4" on 213 thru 326 sizes) sheet steel to provide strength and rigidity.

MBP-056/184 - Fits NEMA frame motors 056C thru 184TC

MBP-213/256 - Fits NEMA frame motors 213TC thru 256TC

MBP-284/326 - Fits NEMA frame motors 284TC/TSC thru 326TC/TSC



Feature Number	Motor Frame	Hole Diameter	Number of Holes
1	056C	0.375	4
2	143TC	0.375	4
3	145TC	0.375	4
4	182TC	0.437	4
5	184TC	0.437	4

Feature Number	Motor Frame	Hole Diameter	Number of Holes
1	213TC	0.437	4
2	215TC	0.437	4
3	254TC	0.562	4
4	256TC	0.562	4

Feature Number	Motor Frame	Hole Diameter	Number of Holes
1	284TC/TSC	0.437	4
2	286TC/TSC	0.437	4
3	324TC/TSC	0.562	4
4	326TC/TSC	0.562	4

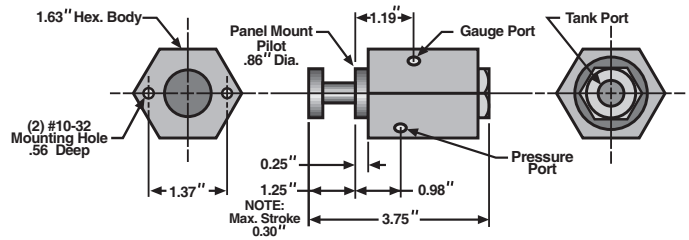
A High Quality, Push-to-Read Device that Isolates and Protects your Gauge. You can Read up to Six Port Signals from a Single Gauge.

Magnaloy Gauge Isolators are manufactured from high quality steel hexagonal bar stock and machined to exact tolerances. Pressure is supplied to the gauge only when requested, by pushing the knob. This prevents gauge failure caused by continuous exposure of the gauge to damaging pressure surges and helps extend the life of the gauge and maintain its accuracy. This design provides simple mounting options and an attractive, compact package.

Single Position Gauge Isolator Specifications:

From Page 9 of Accessory Products Catalog No. AP0210 Center Photo Down Left Side

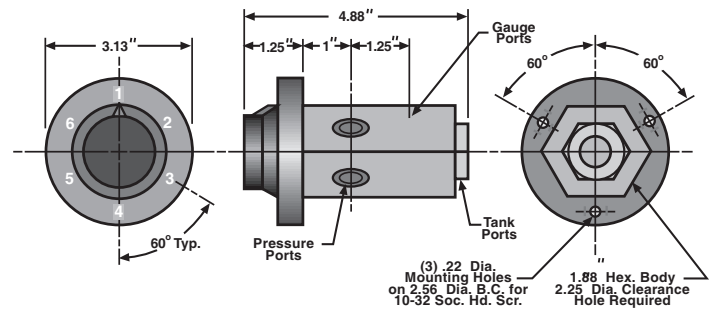
- Push to read.
- Operating Temperature -30° F to 240° F.
- 5,000 PSI working pressure.
- Viton Seals.
- 1/4" NPT or #4 SAE O-Ring ports.
- Panel or in-line mounting (maximum panel thickness - 5/16")



Six Position Gauge Isolator Specifications:

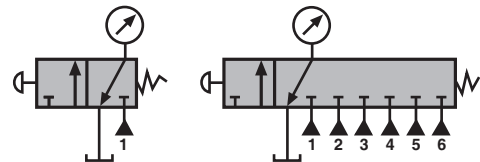
From Page 9 of Accessory Products Catalog No. AP0210 Bottom Photo Down Left Side

- Turn to select position, push to read.
- Operating Temperature -30° F to 240° F.
- 5,000 PSI working pressure.
- Viton Seals.
- #4 SAE O-Ring ports.
- Panel mounting.
- Read up to 6 pressure signals from a single gauge.



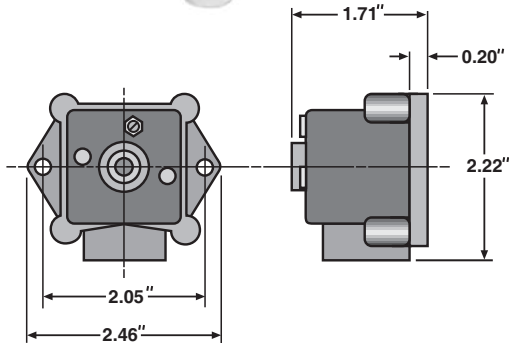
Ordering Specifications:

Part Number	Positions	Port Type
GI-01-SAE	Single	#4 SAE O-Ring
GI-01-NPT	Single	1/4" NPT
GI-06-SAE	Six	#4 SAE O-Ring





A Dependable Pressure-Sensing Device that Converts a set Hydraulic Pressure to an electrical Signal - up to THREE Signals in a Single Switch.



Technical Specifications

Operating Characteristics:

- Adjustable Range: 300 PSI to 2,600 PSI
- Pressure Reset: 125 PSI to 300 PSI, nominal
- Rated Pressure 4,000 PSI
- Burst Pressure: 12,000 PSI
- Temperature Rating: -20° F to 160° F
- Repeatability: 2% of set pressure

Electrical Characteristics:

- U.L. Listed Switching Elements
- Rating: 4 amps, 250 VAC / 3 amps, 12 VDC

Options:

- Second and Third Independently adjustable switches
- Factory pre-set to specified pressures
- 200 PSI to 1,250 PSI range (L) (125 PSI to 200 PSI reset)
- 500 PSI to 4,000 PSI range (H), High cycle unit (300 PSI to 450 PSI reset)

Pressure Switch Wiring Instructions:

	Switch #1	Switch #2	Switch #3
Normally Open	Red	Red w/1 Yellow Stripe	Red w/2 Yellow Stripes
Common	White	White w/1 Yellow Stripe	White w/2 Yellow Stripes
Normally Closed	Black	Black w/1 Yellow Stripe	Black w/2 Yellow Stripes

Pressure Switch is tested but NOT pre-set.

NOTE: factory will pre-set pressure for a nominal charge
Important! Lock nut torque range: 6 - 8 in lbs.

How to order:

- PS-400-115 Single Switch Assembly
NEMA 12 Enclosure, Viton Seals,
300 - 2,600 PSI Range.
- PS-400-215 Double Switch Assembly
NEMA 12 Enclosure, Viton Seals,
300 - 2,600 PSI Range.
- PS-400-315 Triple Switch Assembly
NEMA 12 Enclosure, Viton Seals,
300 - 2,600 PSI Range.

To specify pre-set pressure(s), note setting(s) after part number.

For optional operating ranges specify (L) or (H) after part number.

- 1. Triple Versatility.** As many as three switching elements can be independently adjusted over the full PS-400 pressure range.
- 2. Fluid Compatibility.** Viton seal with Teflon back-up ring compatible with most hydraulic fluids.
- 3. Easy Pressure Adjustment.** External adjustment nut is easily accessible for quick pressure reset.
- 4. Save Plumbing Cost.** Single pressure tap (1/8" NPT female) serves all three piston mounted microswitches.
- 5. Oil Tight Case (NEMA 12)**
- 6. Standard Conduit Connection.** 1/2" NPT female.
- 7. Easy Installation.** Two mounting holes provided for No. 10 screws.
- 8. Positive Locking.** Pressure Adjusting Screw.



A Cost Saving, Easy to Identify, Inventory of Commonly used Buna-N or Viton O-Rings. Sized for Vickers Industrial Valves.

How to Order:

ORK-12000 Buna-N O-Ring Kit

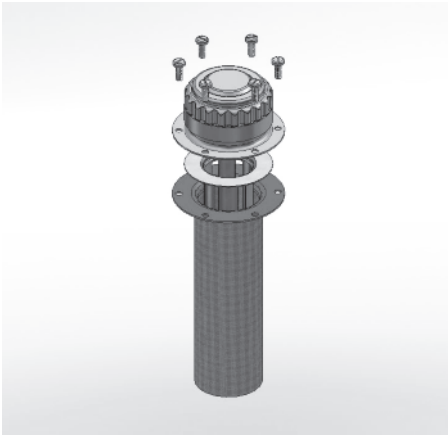
ORK-12001 Vitron O-Ring Kit

Each kit contains the following size and quantities of either Buna-N or Viton O-Rings:

Plug Number	Quantity	Buna-N Vicker's Part No.	Viton Vicker's Part No.
1	34	154000	262326
2	34	154001	262327
3	34	154002	262328
4	32	154004	262330
5	32	154005	262331
6	32	154006	262332
7	18	154139	262333
8	36	199811	262334
9	18	173792	262335
10	18	153950	262336
11	18	154942	262337
12	18	157515	262338
13	18	154142	262339
14	18	166360	262340
15	18	174619	262341
16	18	153999	262920
17	18	187000	262344
18	17	154137	262348
19	13	154012	262354
20	13	154130	262498

Plug Number	Quantity	Buna-N Vicker's Part No.	Viton Vicker's Part No.
21	13	199812	262356
22	12	199813	262361
23	12	157143	261818
24	12	199817	262369
25	9	154014	262389
26	9	154015	262390
27	9	154016	262391
28	9	154017	262392
29	9	154018	262393
30	18	154019	262394
31	9	154020	262395
32	9	154023	262398
33	9	154024	262399
34	9	154026	262401
35	16	154077	262402
36	8	154078	262403
37	8	154079	262404
38	8	154084	262409
39	17	154128	262496
40	15	154129	262497

What you should know about Filler Breathers!



Sizing is based on the reservoir air exchange requirements, NOT the pump output. Magnaloy Filler Breather Assemblies are sized for a maximum pressure drop of .45 inches Hg.

Hydraulic users rarely change the breather filter, which can contribute to pump cavitation. A routine of regularly changing or cleaning the air filter should be developed. A vacuum indicator can be very helpful in determining the cleanliness of the air filter.

The Filler Breather filtration rating should be equal to or better than the system filtration rating.

On systems with constant fluid level in the reservoir, a pressurized Filler Breather Cap increases pump inlet pressure. Generally, the more pressure a pump has at its inlet, the quieter it will run.

The NPFA standard call for TWO filler openings, each of which should pass a minimum of 5 GPM. They should be located on opposite sides or ends of the reservoir.

The maximum air filtration allowed is 40 micron. All of Magnaloy's Filler Breather Caps are 10 Micron nominal.

The filler screen should be at least 30 mesh and should have an internal metal guard to prevent the fill spout from puncturing the screen. All Magnaloy's Screen are 30 mesh and we offer a Screen Guard Option.

Filter Selection and Life!



Filter life is difficult to determine. It is affected by many factors, including the operation systems condition, flow rate, viscosity of the fluid, duty cycle, environment, initial differential pressure, and cleanliness practices.

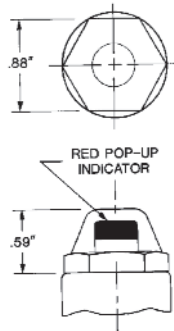
Loading is the process of plugging the pore of the media with contaminants. As the pores continue to plug, the pressure increases to maintain the fluid flow. This pressure is known as the differential pressure. At the beginning of the filter life cycle this pressure is relatively low, but pressure across the element increases as the pores in the media become plugged. The size, shape, and pore arrangement of a filter determines why some filter elements last longer than other types. Cellulose media (paper) will load more quickly than the same given area of fiberglass media (synthetic) due to the reduced number of pores per unit area.

Filter element selection is based on many factors, including operating environment, safety concerns from system failure, and criticality of system operation. Always consult your equipment manufacturer's recommendation for fluid cleanliness level.

Differential Pressure ΔP Indicators

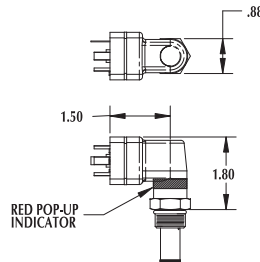
For use with Magnaloy SFH series Spin-On Filter Head

DP03 Series

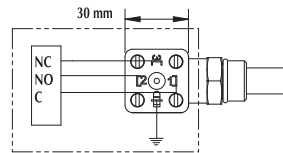


Low Pressure Visual Indicator
 200 PSI max Operating Pressure
 Temperature range up to 150° F
 Automatic Resetting
 Factory Installed, Available as kit for field replacement
 For use with SFH Series Head Only

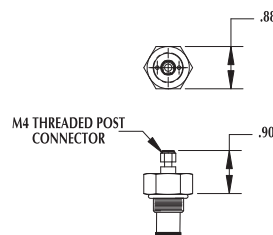
DP05 Series



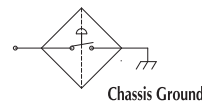
Cartridge Style Visual/Electrical Indicator
 Hirschman (DIN 43650 Type AM Receptacle 11mm)
 1NO, 1NC, & Common SPDT Switch (3 pole & ground)
 5A; 125/250 VAC, 24 VDC (Resistive)
 6000 psi max Operating Pressure
 Temperatures up to 200F
 Automatic Resetting
 Factory Installed. Available as kit for field replacement.



DP06 Series



Cartridge Style Single Wire DC Indicator
 200mA @ 36VDC
 Momentary - Normally Open Circuit
 6000 psi max Operating Pressure
 Temperatures up to 200F
 Automatic Resetting
 Factory Installed. Available as kit for field replacement.
 Ground Through Filter Head to Chassis. (In Oil)



Filter Efficiency Standard

ISO 4572: 1981
 ISO 16889: 1999

BETA Ratio Information

1. Beta Ratio means counting particles less than 40 Micron in size using a test dust as the test contaminant

2. Beta Ratio equals:
$$\frac{\text{Particle count* in oil up stream of filter}}{\text{Particle count* in oil down stream of filter}}$$

* The number of particles of a given size or greater per unit volume

3. Example:
$$\frac{2,000 \text{ Particles } 10\mu\text{m or greater in oil sample before filter}}{500 \text{ Particles } 10 \mu\text{m or greater in oil sample after filter}} = 4.0$$

-OR-

$$\frac{2,000}{500} = 4.0 \text{ (Filter removed 75\% of particles } 10 \mu\text{m OR GREATER)}$$

4. Terminology: $B_{10} = 4.0$ (Beta 10 Ratio equals 4.0)

5. Ratio Numbers and Equivalent Efficiencies:

$Beta_x = 2.0$ Represents 50% Efficiency (Nominal Rating)
 $Beta_x = 20.0$ Represents 95% Efficiency
 $Beta_x = 75.0$ Represents 98.67% Efficiency (Absolute Rating)
 $Beta_x = 200.0$ Represents 99.5% Efficiency

Note: Any Beta greater than 100 adds less than 1% to overall efficiency, and greatly increases pressure drop through the filter.

Typical Stainless Steel Wire Cloth Media

Mesh Size	Degrees of Filtration
30	560 Micron
60	280 Micron
100	141 Micron
200	75 Micron
200 x 600	20 Micron
200 x 1400	10 Micron
325 x 1900	3 Micron

Filter Selection Data

Fluid Viscosity & Flow Capacity

The single most critical variable in determining the flow capacity of a filter is the viscosity of the fluid passing through it. Pressure drop (ΔP) produced by flow through a filter assembly is directly proportional to the viscosity of the fluid being filtered. At any given flow rate, a lower viscosity fluid will produce less pressure drop (and greater flow capacity) than that of a higher viscosity fluid.

Fluid Viscosity & Temperature

A fluid's viscosity is governed by its temperature. As a fluid's temperature increases, its viscosity decreases. Use a temperature versus viscosity chart to determine the viscosity of the fluid used in your system at its normal operating temperature.

Estimating Pressure Drop (ΔP)

All pressure drop data found in this catalog is based on 150 SUS oil. If the fluid to be filtered in your application has a viscosity of 150 SUS at the system's normal operating temperature, pressure drop values can be taken directly off the graphs. If the fluid's viscosity is not 150 SUS, use the formula below to estimate the pressure drop.

$$\text{Estimated Pressure Drop (} \Delta P \text{) through filter assembly} = \text{Pressure Drop Value taken from graph} \times \frac{\text{Viscosity of Fluid at System Operating Temperature}}{150}$$

Filtration Application Guidelines

Suction Strainers:

Maximum pressure drop : 1" Hg
Maximum line velocity: 5 feet per second

Suction Line Filters:

Maximum pressure drop: No more than 50% of the Maximum allowable vacuum recommended by the pump manufacturer (at normal operating temperature with a clean filter element).
Maximum line velocity: 5 feet per second

Return Line Filters:

Maximum pressure drop: No more than 50% of the filter by-pass valve setting at normal operating temperature with a clean filter element.
Maximum line velocity: 15 feet per second
A By-Pass Valve should ALWAYS be included on a Return Filter

Pressure Filters:

Maximum pressure drop: No more than 50% of the filter by-pass valve setting at normal operating temperature with a clean filter element.
Maximum line velocity: 25 feet per second

Make the Connection with **magnaloy**

*Whatever your Fluid Power Unit needs,
magnaloy has the products
to keep you connected.*



Flexible Drive Couplings

Top-of-the-line magnesium couplings are lighter, yet stronger than either cast iron or aluminum. They also offer better corrosion resistance and easier handling.



Magnaloy Hydraulic Bar Manifolds & Accessories

Complete line of inline Bar Manifolds, Subplates, Cover Plates, Valve Adaptors, Integrated Circuit Manifolds, and Accessories to make the design and fabrication of Hydraulic Circuitry simple and easy. Wide range of sizes include: D03, D05, D05H & D08 in aluminum and steel with ports available in SAE, NPTF, BSPP, and BSPT styles. Custom design and fabrication also available, consult factory.

Accessories

Filler Breather Adaptors, Filler Breathers, Reservoir Flanges, Suction Strainers, Gauge Isolators, Liquid Level Gauges, Modular O-Ring Kits.



Pump/Motor Mounts

Precision machined aluminum & custom steel pump/motor mounts directly connect the motor and pump while ensuring accurate shaft alignment and enclosing the coupling. Vertical and horizontal models readily available from stock.



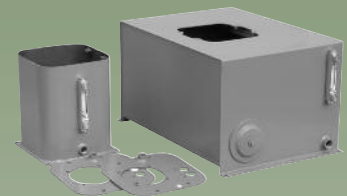
Rod End Couplers

Two models of accurately machined high tensile cylinder rod end alignment couplers offer 7° or 10° spherical and 1/8" parallel misalignment capabilities.



PM 90 Couplings

Economical PM-90 Iron Powder Couplings have long lasting nitrile, hytrel or urethane inserts. Double set screws give excellent gripping power.



Magnaloy Reservoirs & Reservoir Accessories

Magnaloy offers a complete line of standard reservoirs and reservoir accessories. In addition, we offer custom reservoir fabrication to meet our customer specific needs. Reservoir accessories such as Clean Out Covers and SAE Couplings are available for the "do-it-yourself" reservoir manufacturer

*For a Free Catalog of any
of these fine products call
or visit us on-line.*



Magnaloy Pressure Switch

Pressure Sensing switch capable of sensing up to three (3) separate pressures. Each sensor is externally independently adjustable from 200 to 4000 psi. Viton seals provide wide fluid compatibility range.