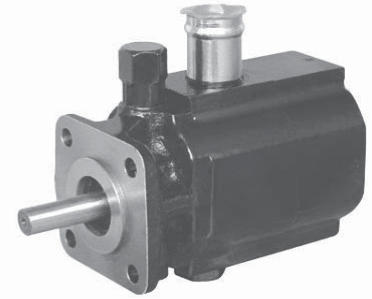


# Hydraulic Gear Pump Model GP-CBN

## Technical Data

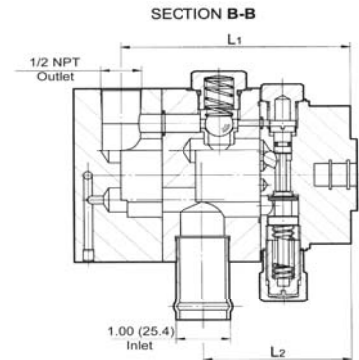
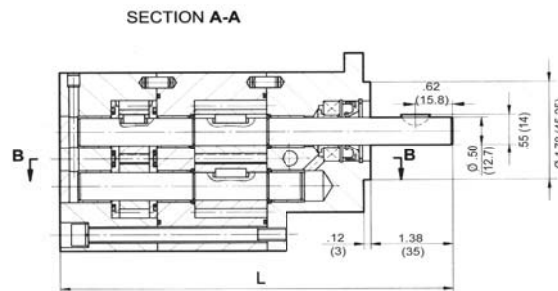
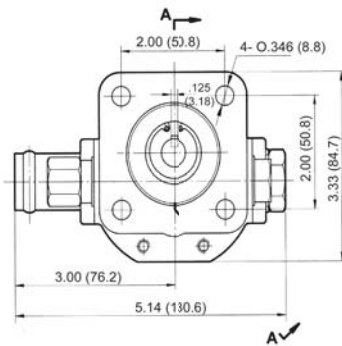
Model GP-CBN is a HI/LO Hydraulic Gear Pump with 12 displacement combinations with maximum pressures of 900 psi for the low pressure pump and 3000 psi for the high pressure pump. The change from LO to HI pressure is automatic with the LO side pressure pre set from 400 psi to 900 psi. The HI/LO section of the pump is all aluminum and the end plates are cast steel. Applications for the HI/LO pump are log splitters, presses etc. where rapid movement of the cylinder at low pressure is required prior to automatically switching to the high pressure mode to meet load requirements.



Model Prefix GP	Flow GPM at 3600 rpm	Displ. cu.in/rev		Pressure psi		Speed RPM
		LO	HI	LO	HI	
CBN-080	8	0.130	0.385	400/900	3000	3600
CBN-085	8.5	0.183	0.385	400/900	3000	3600
CBN-090	9	0.220	0.385	400/900	3000	3600
CBN-100	10	0.130	0.537	400/900	3000	3600
CBN-105	10.5	0.183	0.537	400/900	3000	3600
CBN-110	11	0.220	0.537	400/900	3000	3600

Model Prefix GP	Flow GPM at 3600 rpm	Displ. cu.in/rev		Pressure psi		Speed RPM
		LO	HI	LO	HI	
CBN-115	11.5	0.256	0.537	400/900	3000	3600
CBN-120	12	0.130	0.665	400/900	3000	3600
CBN-125	12.5	0.183	0.665	400/900	3000	3600
CBN-130	13	0.220	0.665	400/900	3000	3600
CBN-135	13.5	0.256	0.665	400/900	3000	3600
CBN-160	16	0.256	0.793	400/900	3000	3600

## Installation Data



Model Prefix GP	Dimensions		
	L	L1	L2
CBN-080	6.07	3.74	2.41
CBN-085	6.21	3.90	2.41
CBN-090	6.28	3.90	2.14
CBN-100	6.41	4.08	2.74

Model Prefix GP	Dimensions		
	L	L1	L2
CBN-105	6.54	4.08	2.74
CBN-110	6.61	4.24	2.74
CBN-115	6.70	4.24	2.74
CBN-120	6.70	4.37	3.04

Model Prefix GP	Dimensions		
	L	L1	L2
CBN-125	6.84	4.37	3.04
CBN-130	6.90	4.53	3.04
CBN-135	7.00	4.53	3.04
CBN-160	7.09	4.53	3.04

Port Sizes  
Inlet - 1in. Pipe  
Outlet - 1/2 NPT

## Ordering Information

GP - CBN - 105 - P - C

Gear Pump      HI/LO series      Nominal Flow GPM at 3600 rpm.  
080/085/090/100/105  
110/115/120/125/130  
135/160

Drive Shaft P-1/2 in. Dia Straight

Rotation Direction  
C- Clockwise  
A-Counter Clockwise  
(viewed from drive shaft end)