

**HOSE, CORD & CABLE**

# REELS



**COXREELS®**

**Your Reel Source**

[www.coxreels.com](http://www.coxreels.com)



**OUR MISSION - WE WILL LEAD THE INDUSTRY IN QUALITY & INNOVATION**

We know that there can be no compromise when you live the philosophy of building the best! Every decision regarding our product design is made with one unwavering goal... to make the required product the very best it can be.

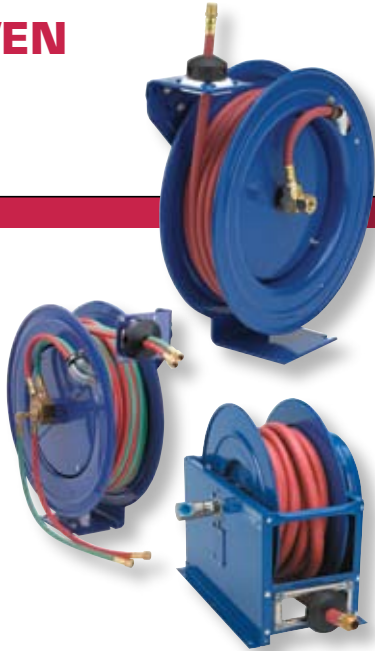
# Your Reels

## SPRING DRIVEN HOSE REELS

*Self-Retracting Heavy Duty Industrial Grade Reels*

### FEATURING

- ✓ Hose I.D. From 1/4" To 1 1/2"
- ✓ Pressures To 5,000 PSI
- ✓ Lengths To 125 Feet
- ✓ Steel Or Aluminum Construction
- ✓ Durable Proprietary CPC™ Powder Coat Process
- ✓ Detachable Roller Guides
- ✓ Adjustable Rubber Hose Stop
- ✓ Full-Flow Swivel Inlets
- ✓ Lubricated Factory-Matched Cartridge-Style Spring Motor
- ✓ Multi-Position Locking Ratchet
- ✓ Side Mount Reels
- ✓ Adjustable Guide Arm



## HAND CRANK & PORTABLE REELS

*Large Capacity Industrial Grade Reels For Long Hose Lengths*

### FEATURING

- ✓ Hose I.D. From 1/4" to 2"
- ✓ Pressures to 10,000 PSI
- ✓ Lengths to 700 Feet
- ✓ Steel Construction
- ✓ Durable Proprietary CPC™ Powder Coat Process
- ✓ Low Profile Outlet Riser & Open Drum Slot Design
- ✓ Direct Hand Crank & Bevel Gear Hand Crank
- ✓ Hand Carry & Dolly Reels
- ✓ Adjustable Tension Brake To Prevent Backlash
- ✓ Optional Roller Guide Assemblies



## MOTOR DRIVEN HOSE REELS

*Large Capacity Industrial Grade Reels For Long Hose Lengths*

### FEATURING

- ✓ Hose I.D. From 3/8" To 2"
- ✓ Pressures To 10,000 PSI
- ✓ Lengths To 1,400 Feet
- ✓ Steel Construction
- ✓ Durable Proprietary CPC™ Powder Coat Process
- ✓ Choice Of Electric, Air & Hydraulic Motors
- ✓ Low Profile Outlet Riser & Open Drum Slot Design
- ✓ Direct Gear Drive Or Chain & Sprocket
- ✓ Optional Roller Guide Assemblies
- ✓ Optional Motor Switches & Speed Controllers



## ELECTRIC CORD & CABLE REELS

*Heavy Duty Professional Grade Reels For Electrical Cord, Welding Cable & Grounding Cable*

### FEATURING

- ✓ Available In 10, 12 & 16 Gauge Cord
- ✓ Lengths To 100 Feet
- ✓ Steel Construction
- ✓ Durable Proprietary CPC™ Powder Coat Process
- ✓ Detachable Roller Guides
- ✓ Adjustable Rubber Cord Stop
- ✓ Lubricated Factory-Matched Cartridge-Style Spring Motor
- ✓ Multi-Position Locking Ratchet
- ✓ Adjustable Guide Arm
- ✓ Your Choice Of Electrical Accessories



CATALOG #C1M06 © Copyright 2006 COXREELS



Toll Free 800-COX-REEL • Fax 800-229-REEL • Int 480-820-6396 • Fax 480-820-5132 • [www.coxreels.com](http://www.coxreels.com)

Page 2





www.coxreels.com

# Source

## EZ-COIL® SAFETY SERIES REELS

Controlled Self-Retracting Reels For Increased Safety



### FEATURING

- ✓ Patented EZ-Coil® Controlled Retraction
- ✓ Up To 80% Slower Retraction
- ✓ Reduce Workplace Accidents
- ✓ Increased Operator Safety
- ✓ Pressures To 5,000 PSI
- ✓ Lengths To 100 Feet
- ✓ Adjustable Rubber Hose Stop
- ✓ Multi-Position Locking Ratchet
- ✓ Lubricated Factory-Matched Cartridge-Style Spring Motor
- ✓ Durable Proprietary CPC™ Powder Coat Process
- ✓ Adjustable Guide Arm
- ✓ Made In The U.S.A.

### LET'S COMPARE

Conventional SPRING DRIVEN REELS



**SPEED WHIPPING IMPACT**

25 ft./sec.  
5-15 ft.  
500 ft./lbs.

5 ft./sec.\*  
5 ft.  
0-1 ft./lbs.

Up To 80% Slower Retraction



\*Based on an independent evaluation performed by Coxreels. Depending on certain conditions, results may vary.

### Call Today For Your Free EZ-Coil® Catalog

Featuring Our Wide Selection Of Quality Hose, Cord & Cable Reels With The Patented EZ-Coil® Rewind Safety System.

**COXREELS® CUSTOMER SERVICE & ENGINEERING DEPARTMENTS will work closely with our customers in identifying their special needs and application requirements that are not offered as standard catalog items.**

We regularly fulfill special requests from our customers from simple color changes to application-based custom designs. If you do not find the exact item you need in our catalog, let us develop a custom reel for your special needs.

**WE WELCOME CUSTOM PRODUCT REQUESTS?**

**Coxreels' is Your Reel Source for Custom Reels!**



### Dear Valued Customer:

Continuing into our 8th decade and 3rd generation of family ownership and operation, it is with great pride that we introduce our most comprehensive offering of product ever! Throughout our history we have remained aware that our products are called on to faithfully perform duties that range from the simple, reliable delivery of air or oil, to the supply of life saving energy for hydraulic rescue tools. Every single component is built with this in mind.

Our entire team takes great pride in being part of a growing U.S. manufacturer. In support of this continued growth, manufacturing continues to be upgraded to include even more automation. Our extensive use of CNC Equipment, Robotics, Automation Systems, along with New Product Development, Enhanced Customer Service, In-House Design and Engineering allow us to provide more value and support to you, our customers.

Within these pages, we offer insight into many of the processes and qualities that are incorporated into our products. We expect that through this deeper understanding of our methods and corporate philosophy, you will recognize the VALUE differentiation of our product from the alternatives in the market.

I also would like to thank all of our customers who throughout the years have supported our efforts and helped us maintain our position of leadership and innovation.

Sincerely,

*Brad Cox*  
Brad Cox  
President



Coxreels' 75,000 square foot manufacturing facility includes an in-house Engineering Department, Machine Shop, and Proprietary CNC Machinery including Robotic Welding and Robotic Spin Cell Operations.

### THE COXREELS ADVANTAGE

#### USA MADE – USA QUALITY – USA SUPPORT



Coxreels' will continue to live the philosophy of being the first to build the best hose, cord and cable reels...always! We take great pride in designing, building and supplying the world's finest reels made right here in the U.S.A.

#### 2-YEAR WARRANTY



In today's competitive world, Coxreels' firmly supports quality statements with the 2-YEAR MANUFACTURER'S LIMITED WARRANTY. We can do it because our reels are built to last!

#### UNMATCHED MANUFACTURING PROCESSES



Our reputation for unwavering quality goes far beyond our 2-year warranty. The confidence our customer's have in our products are a result of the quality control processes, proprietary powder coating, automated manufacturing processes, investment in robotic and other state-of-the-art manufacturing equipment that has grown through our eight decades of innovation and commitment to our craft.

CATALOG #CMC06 ©Copyright 2006 COXREELS



Toll Free 800-COX-REEL • Fax 800-229-REEL • Int 480-820-6396 • Fax 480-820-5132 • www.coxreels.com



# INDEX

SPRING DRIVEN



**P Series**  
**Performance Hose Reels**  
Hose I.D.: 1/4" - 1/2" Pressures: Up to 5,000 PSI

Page 6



**SH, MP & HP Series**  
**Heavy Duty Hose Reels**  
Hose I.D.: 1/4" - 3/4" Pressures: Up to 5,000 PSI

Page 7



**T Series**  
**Supreme Duty Hose Reels**  
Hose I.D.: 1/4" - 1" Pressures: Up to 5,000 PSI

Page 8



**C Series**  
**Dual Purpose Hose Reels**  
Hose I.D.: 1/4" - 1/2" Pressures: Up to 5,000 PSI

Page 9



**EN Series**  
**Enclosed Hose Reels**  
Hose I.D.: 1/4" - 1/2" Pressures: Up to 5,000 PSI

Page 10



**E Series**  
**Expandable Metal Cabinets**  
Hose I.D.: 1/4" - 1/2" Pressures: Up to 5,000 PSI

Page 11



**Alumi-Pro® Series**  
**Aluminum Hose Reels**  
Hose I.D.: 1/4" - 1/2" Pressures: Up to 300 PSI

Page 14



**SS Series**  
**Stainless Steel Hose Reels**  
Hose I.D.: 3/8" - 3/4" Pressures: Up to 4,000 PSI

Page 15



**P-W & SHW Series**  
**Spring Driven Welding Hose Reels**  
Hose I.D.: 1/4" - Twin Pressure: To 200 PSI

Page 16



**S Series**  
**Side Mount Hose Reels**  
Hose I.D.: 1/4" - 1/2" Pressure: To 300 PSI

Page 21



**SP Series**  
**High Capacity Hose Reels**  
Hose I.D.: 1/2" - 1 1/2" Pressures: Up to 2,500 PSI

Page 22



**DP Series**  
**Dual High Capacity Hose Reels**  
Hose I.D.: 3/8" - 3/4" Pressures: Up to 3,000 PSI

Page 23



**MPD & TDMP Series**  
**Dual Hydraulic Hose Reels**  
Hose I.D.: 1/4" - 1/2" Pressures: Up to 10,000 PSI

Page 24



**V Series**  
**Vacuum Hose Reels**  
Vac. Hose I.D.: 1 1/2" Vac.: 29" HG Pne. Hose I.D.: 1/2"

Page 25



**C Series**  
**Air/Electric Combo Reels**  
Hose I.D.: 3/8" AWG: 12, & 16 Gauge

Page 12



**PC Series**  
**Power Cord Reels**  
AWG: 10, 12, & 16 Gauge

Page 13



**P-WC Series**  
**Welding Cable Reels**  
Gauge: 6, 4, 2, 1, 1/0, 2/0

Page 18



**1125WCL Series**  
**Large Capacity Welding Reels**  
Gauge: 2, 1, 1/0, 2/0 Pressures: Up to 200 PSI

Page 19



**SD Series**  
**Static Discharge Cable Reels**  
Cable Diameter: 5/32" I.D.

Page 20

ELECTRIC

HAND CRANK



**SS Series**  
**Stainless Steel Hose Reels**  
Hose I.D.: 3/8" - 3/4" Pressures: Up to 4,000 PSI

Page 15



**1275W-C & 100W Series**  
**Large Capacity Welding Reels**  
Hose I.D.: 1/4" - 3/8" Twin Pressures: Up to 200 PSI

Page 17



**1125WCL Series**  
**Large Capacity Welding Reels**  
Gauge: 2, 1, 1/0, 2/0

Page 19



**SM Series**  
**Compact Swivel Mount Hose Reels**  
Hose I.D.: 3/8" - 1/2" Pressures: Up to 4,000 PSI

Page 26



**100 Series**  
**Compact Hand Crank Hose Reels**  
Hose I.D.: 3/8" - 3/4" Pressures: Up to 4,000 PSI

Page 27



**DM & CM Series**  
**Portable Hose Reels**  
Hose I.D.: 3/8" - 1/2" Pressures: Up to 4,000 PSI

Page 28



**1125 Series**  
**Hand Crank Hose Reels**  
Hose I.D.: 3/8" - 1" Pressures: Up to 3,000 PSI

Page 29



**1175 Series**  
**Hand Crank Hose Reels**  
Hose I.D.: 1" Pressures: Up to 3,000 PSI

Page 30



**1185 & 1195 Series**  
**Large Capacity/Volume Hose Reels**  
Hose I.D.: 1 1/4" - 2" Pressures: Up to 600 PSI

Page 31



**1275 Series**  
**Large Capacity Dual Hose Reels**  
Hose I.D.: 3/8" - 1/2" Pressures: Up to 3,000 PSI

Page 32



**1275W-C Series**  
**Large Capacity Welding Reels**  
Hose I.D.: 3/8" Pressures: Up to 200 PSI

Page 17



**1125WCL Series**  
**Large Capacity Welding Reels**  
Gauge: 2, 1, 1/0, 2/0

Page 19



**MPD & TDMP Series**  
**Dual Hydraulic Hose Reels**  
Hose I.D.: 1/4" - 1/2" Pressures: Up to 10,000 PSI

Page 24



**1125 Series**  
**Motor Driven Hose Reels**  
Hose I.D.: 3/8" - 1" Pressures: Up to 3,000 PSI

Page 29



**1175 Series**  
**Motor Driven Hose Reels**  
Hose I.D.: 1" Pressures: Up to 3,000 PSI

Page 30



**1185 & 1195 Series**  
**Large Capacity/Volume Hose Reels**  
Hose I.D.: 1 1/4" - 2" Pressures: Up to 600 PSI

Page 31



**1275 Series**  
**Large Capacity Dual Hose Reels**  
Hose I.D.: 3/8" - 1/2" Pressures: Up to 3,000 PSI

Page 32

MOTOR DRIVEN

**Reel Accessories**

Page 33-34

**Warranty Information**

Page 35



Toll Free 800-COX-REEL • Fax 800-229-REEL • Int 480-820-6396 • Fax 480-820-5132 • [www.coxreels.com](http://www.coxreels.com)

Page 4



CATALOG #CXM06 © Copyright 2006 COXREELS

# HOW TO ORDER? — SELECT THE PROPER REEL

The size, length and type of hose to be handled are primary factors in selecting the proper reel for your job. The following points should be considered:

## 1. HOSE I.D., O.D. & LENGTH

When space permits, select a reel with greater hose capacity than you require. This allows you to rewind the hose with less care and keeps the hose well protected within the disc dimension, even if the hose is not wound in uniform coils. (See hose selection chart below)

## 2. SIZE & TYPE OF SWIVEL JOINT & SEAL FOR INLET & OUTLET

In selecting your reel please note the size of your hose versus the inlet and outlet sizes. Reducing your fitting & hose size will allow for more hose capacity. Please refer to the o-ring seal compatibility chart on page 35 for special application requirements.

## 3. RETRACTION METHOD & PROPER USE

Choose from Spring Driven, Hand Crank or Motor Driven retraction.

**SPRING DRIVEN:** Automatic rewind requiring no power source. Operator is to guide the hose or cord as it self-retracts and wraps around the drum.

**HAND CRANK:** Operator must manually crank the reel and guide the hose or cord evenly as it wraps around the drum to reach full capacity.

**MOTOR DRIVEN:** Requires a power source to operate in AC, DC, Air or Hydraulic power. On/Off switches and speed controllers are available to help control retraction speed. You must guide the hose or cord efficiently back on the reel to reach full capacity.

## 4. MOUNTING POSITION

Determine which mounting position you require. All reels are shipped in the floor-ceiling mount (FM) position with the exception of the "T," "EN," and "SD" Series, which are shipped in the wall-truck mount (WM) position. See diagram to the right for the "SP & DP" Series as well.

## 5. CHOOSE TYPE OF HOSE

Consider operating temperature, product temperature and pressure required (PSI).

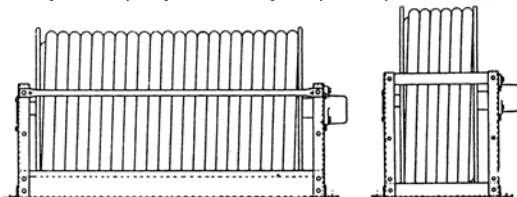
Always use good quality hose rated for the service and operating pressure required. Poor quality hose tends to expand and contract under pressure surges. When this happens, hose remaining on the reel may bind and become difficult to handle. In extreme cases, poor quality hose may expand under pressure to the extent that the reel becomes distorted and inoperable.

## 6. ADDITIONAL OPTIONS

Customize your reel to meet your exact requirements. Once you select your reel type consider the different add-on features such as roller brackets, special mounting brackets, carry handles or a cart for portability. See the options available indicated on each page.

## HOSE SELECTION

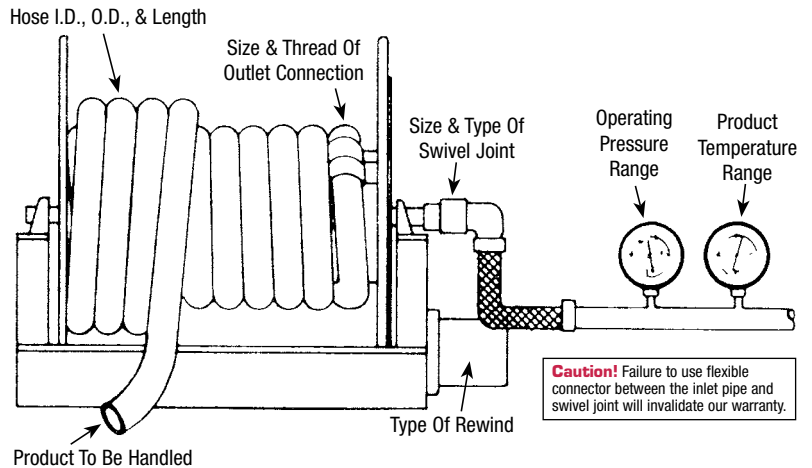
The drawing below shows two reels with different shapes and dimensions but with identical hose capacity. In most cases, more than one reel will handle the size and length of hose you need, so you can specify a reel to fit your space requirements.



See Page 33 For Hose Assemblies & Component Parts

## BASIC INFORMATION

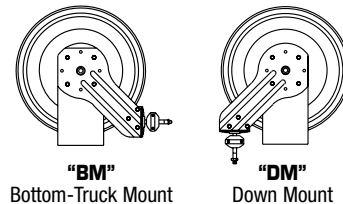
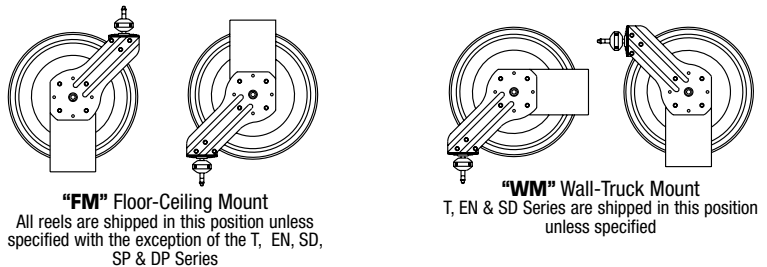
The Diagram Below Indicates The Basic Information Which Should Be Determined Before Ordering.



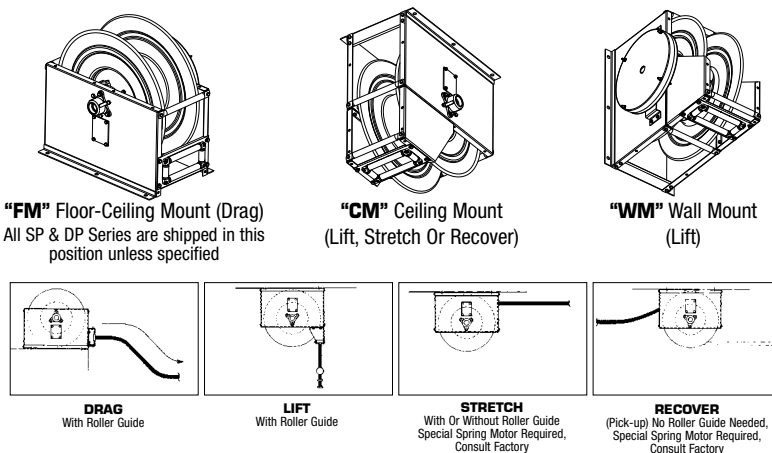
## MOUNTING POSITIONS

The Diagrams Below Indicate The Mounting Positions Which Should Be Determined Before Ordering.

**ALL MODELS** with the exception of the SP & DP Series



**SP & DP SERIES**



# Performance Hose Reels

AVAILABLE IN: **SPRING DRIVEN**

**EZ-COIL®**

## P SERIES

**COXREELS® P Series "Performance" spring driven hose reels have a long history of dependability and trouble free performance.** Their compact space-saving size and heavy duty construction make them highly versatile and virtually indestructible. Time-tested proven components, superior design and craftsmanship have contributed to it's worldwide reputation as the most trusted hose reel.

**LOW PRESSURE** Models with hose are for air or water service with a maximum temperature 150° F. Models less hose can be used for air, water or oil. **NOTE: Do not exceed listed hose O.D. to obtain maximum length.**

HOSE						LESS HOSE		SIZE INDEX
MODEL	I.D.	O.D.	FT.	PSI	APRX. LBS.	MODEL	APRX. LBS.	
P-LP-110	1/4"	1/2"	10	300	24	P-LPL-110	22	1
P-LP-115	1/4"	1/2"	15	300	25	P-LPL-115	23	1
P-LP-125	1/4"	1/2"	25	300	27	P-LPL-125	24	1
P-LP-130	1/4"	1/2"	30	300	27	P-LPL-130	24	1
P-LP-135	1/4"	1/2"	35	300	28	P-LPL-135	25	1
P-LP-140	1/4"	1/2"	40	300	38	P-LPL-140	34	3
P-LP-150	1/4"	1/2"	50	300	40	P-LPL-150	35	3
P-LP-310	3/8"	21/32"	10	300	25	P-LPL-310	23	2
P-LP-315	3/8"	21/32"	15	300	27	P-LPL-315	24	2
P-LP-325	3/8"	21/32"	25	300	28	P-LPL-325	25	2
P-LP-330	3/8"	21/32"	30	300	37	P-LPL-330	33	3
P-LP-335	3/8"	21/32"	35	300	38	P-LPL-335	34	3
P-LP-340	3/8"	21/32"	40	300	39	P-LPL-340	34	3
P-LP-350	3/8"	21/32"	50	300	43	P-LPL-350	36	3
P-LP-415	1/2"	27/32"	15	300	41	P-LPL-415	38	4
P-LP-425	1/2"	27/32"	25	300	44	P-LPL-425	39	4
P-LP-430	1/2"	27/32"	30	300	45	P-LPL-430	40	4
P-LP-450	1/2"	27/32"	50	300	48	P-LPL-450	43	4

**MEDIUM PRESSURE** Reels are furnished with standard one wire braid hose suitable for air, water or oil applications. Hose exceeds SAE R1 specifications. Maximum temperature 250° F. **NOTE: Do not exceed listed hose O.D. to obtain maximum length.**

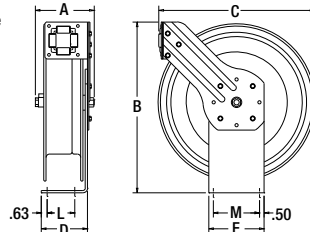
HOSE						LESS HOSE		SIZE INDEX
MODEL	I.D.	O.D.	FT.	PSI	APRX. LBS.	MODEL	APRX. LBS.	
P-MP-320	3/8"	5/8"	20	3000	46	P-MPL-320	41	4
P-MP-325	3/8"	5/8"	25	3000	49	P-MPL-325	42	4
P-MP-330	3/8"	5/8"	30	3000	51	P-MPL-330	43	4
P-MP-335	3/8"	5/8"	35	3000	52	P-MPL-335	43	4
P-MP-420	1/2"	3/4"	20	2500	47	P-MPL-420	41	4
P-MP-425	1/2"	3/4"	25	2500	49	P-MPL-425	42	4
P-MP-430	1/2"	3/4"	30	2500	51	P-MPL-430	43	4

**HIGH PRESSURE** Reels are furnished standard with S.A.E. 100R16 #1 or #2 wire braid hose suitable for grease and hydraulic oil applications. Maximum temp. 250° F. **NOTE: Do not exceed listed hose O.D. to obtain maximum length.**

HOSE						LESS HOSE		SIZE INDEX
MODEL	I.D.	O.D.	FT.	PSI	APRX. LBS.	MODEL	APRX. LBS.	
P-HP-120	1/4"	17/32"	20	5000	46	P-HPL-120	41	4
P-HP-125	1/4"	17/32"	25	5000	48	P-HPL-125	42	4
P-HP-130	1/4"	17/32"	30	5000	50	P-HPL-130	43	4
P-HP-135	1/4"	17/32"	35	5000	51	P-HPL-135	43	4
P-HP-320	3/8"	43/64"	20	4000	47	P-HPL-320	41	4
P-HP-325	3/8"	43/64"	25	4000	49	P-HPL-325	42	4
P-HP-330	3/8"	43/64"	30	4000	51	P-HPL-330	43	4

**REEL DIMENSIONS** Technical Data Sheets Available On Website

SIZE INDEX	A	B	C	D	E	MOUNT L-M
1	6"	14 1/2"	13 3/4"	5"	6"	3" - 5"
2	6 1/4"	14 1/2"	13 3/4"	5"	6"	3" - 5"
3	6 1/8"	18 1/4"	17 1/4"	6"	6"	4" - 5"
4	7"	18 1/4"	17 1/4"	6"	6"	4" - 5"



**WHEN SIZE REALLY DOES MATTER!**

### P SERIES Offers...

**Hose I.D.:** 1/4" - 1/2" **Pressure:** To 5,000 PSI  
 ✓ Compact Space Saving Design  
 ✓ Swivel Seals: NITRILE

### SPRING DRIVEN FEATURES:

- ✓ Auto Rewind Easily Wraps, Stores & Protects Hose
- ✓ Heavy Gauge 1/4" Steel Base & Support Post
- ✓ Factory-Matched Cartridge-Style Spring Motor
- ✓ Brass NPT Swivel Inlet Machined From Solid (Zinc Plated Steel On HP Models)
- ✓ 1" Solid Steel Axle With 1" Lubricated Precision Bearings
- ✓ Guide Arm Adjusts To Wall, Floor & Overhead Positions
- ✓ Multi-Position Lock Ratchet Secures Hose At Desired Length
- ✓ Non-Corrosive Stainless Steel Spring, Pawl & Zinc Plated Ratchet

### COXREELS® SIGNATURE FEATURES:

- ✓ Professional Grade Heavy Duty Steel Construction
- ✓ Durable Proprietary CPC™ Powder Coat Process
- ✓ Rolled Edges & Ribbed Discs Provide Strength & Safety
- ✓ Leading 2-Year Manufacturer's Limited Warranty
- ✓ Made In The U.S.A. Sold & Supported Worldwide

**HOW TO ORDER?**

See Page 5 For Details

**NEED SPECIAL O-RINGS**

See Page 35 For Details

### AVAILABLE OPTIONS

**MOUNTING BRACKETS**  
 ENHANCE PERFORMANCE  
 EASIER INSTALLATION  
 WALL, FLOOR & CEILING  
 MANY STYLES AVAILABLE  
 See Page 34 For Selection

**UPGRADE TO EZ-COIL®**  
 INCREASE OPERATOR SAFETY  
 AVOID PERSONAL INJURY  
 LONGER REEL LIFE  
 See Page 3 For More Details

**HOSE UPGRADE**  
 PROTECTION FROM THE ELEMENTS  
 EXTENDED HOSE LIFE  
 APPLICATION SPECIFIC  
 See Page 33 For More Details

**STAINLESS STEEL**  
 SWIVELS, PLUMBING & CONSTRUCTION  
 FOR NON-CORROSIVE  
 PURE PRODUCT FLOW  
 See Page 15 For Details



Toll Free 800-COX-REEL • Fax 800-229-REEL • Int 480-820-6396 • Fax 480-820-5132 • [www.coxreels.com](http://www.coxreels.com)



# Heavy Duty Hose Reels

AVAILABLE IN: **SPRING DRIVEN**  
**EZ-COIL®**

## SH, MP & HP SERIES

**COXREELS® SH Series Super Hub™** spring driven hose reels, like the P Series, have a history of dependable performance. The larger chassis and frame accommodate longer lengths and larger diameters of hose. Coxreels' original Super Hub™ dual axle support system increases the stability during operation, reduces vibration and strengthens the structural integrity of the reel.

**LOW PRESSURE** Models with hose are for air or water service with a maximum temperature 150° F. Models less hose can be used for air, water or oil. **NOTE: Do not exceed listed hose O.D. to obtain maximum length.**

HOSE					LESS HOSE		SIZE INDEX	
MODEL	I.D.	O.D.	FT.	PSI	APRX. LBS.	MODEL		APRX. LBS.
SH-N-160	1/4"	1/2"	60	300	50	SHL-N-160	45	1
SH-N-350	3/8"	21/32"	50	300	50	SHL-N-350	44	1
SH-N-360	3/8"	21/32"	60	300	53	SHL-N-360	46	1
SH-N-375	3/8"	21/32"	75	300	68	SHL-N-375	59	5
SH-N-3100	3/8"	21/32"	100	300	71	SHL-N-3100	60	5
SH-N-435	1/2"	27/32"	35	300	49	SHL-N-435	43	2
SH-N-440	1/2"	27/32"	40	300	52	SHL-N-440	45	2
SH-N-450	1/2"	27/32"	50	300	54	SHL-N-450	46	2
SH-N-475	1/2"	27/32"	75	300	68	SHL-N-475	57	6
SH-N-4100	1/2"	27/32"	100	300	81	SHL-N-4100	66	6
SH-N-525	3/4"	15/32"	25	300	52	SHL-N-525	45	3
SHF-N-525*	3/4"	15/32"	25	300	57	SHL-N-525	45	3
SH-N-535	3/4"	15/32"	35	300	57	SHL-N-535	47	3
SH-N-550	3/4"	15/32"	50	300	69	SHL-N-550	56	7

\*These models are supplied with fuel hose.

**MEDIUM PRESSURE** Reels are furnished with standard one wire braid hose suitable for air, water or oil applications. Hose exceeds SAE R1 specifications. Maximum temperature 250° F. **NOTE: Do not exceed listed hose O.D. to obtain maximum length.**

HOSE					LESS HOSE		SIZE INDEX	
MODEL	I.D.	O.D.	FT.	PSI	APRX. LBS.	MODEL		APRX. LBS.
N/A	-	-	-	-	-	MPDL-N-150*	62	4
MPD-N-330*	3/8"	5/8"	30	3000	78	MPDL-N-330*	62	4
MP-N-340	3/8"	5/8"	40	3000	63	MPL-N-340	53	1
MP-N-350	3/8"	5/8"	50	3000	65	MPL-N-350	53	1
MPD-N-430*	1/2"	3/4"	30	2500	79	MPDL-N-430*	62	4
MP-N-435	1/2"	3/4"	35	2500	61	MPL-N-435	51	2
MP-N-440	1/2"	3/4"	40	2500	62	MPL-N-440	51	2
MP-N-450	1/2"	3/4"	50	2500	67	MPL-N-450	53	2
MP-N-525	3/4"	1"	25	1500	61	MPL-N-525	51	2
MP-N-535	3/4"	1"	35	1500	68	MPL-N-535	54	3

\*These models are designed for dual-hydraulic hose applications. See page 24

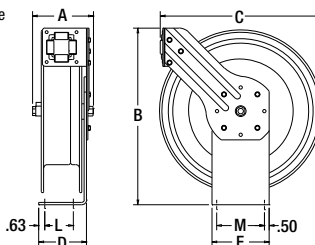
**HIGH PRESSURE** Reels are furnished standard with S.A.E. 100R16 #1 or #2 wire braid hose suitable for grease and hydraulic oil applications. Maximum temp. 250° F. **NOTE: Do not exceed listed hose O.D. to obtain maximum length.**

HOSE					LESS HOSE		SIZE INDEX	
MODEL	I.D.	O.D.	FT.	PSI	APRX. LBS.	MODEL		APRX. LBS.
HP-N-140	1/4"	17/32"	40	5000	62	HPL-N-140	53	2
HP-N-150	1/4"	17/32"	50	5000	64	HPL-N-150	53	2
HP-N-160	1/4"	17/32"	60	5000	70	HPL-N-160	56	2
HP-N-335	3/8"	43/64"	35	4000	61	HPL-N-335	52	2
HP-N-340	3/8"	43/64"	40	4000	64	HPL-N-340	54	2
HP-N-350	3/8"	43/64"	50	4000	65	HPL-N-350	53	2

### REEL DIMENSIONS

Technical Data Sheets Available On Website

SIZE INDEX	A	B	C	D	E	MOUNT L-M
1	8 3/4"	21"	19 5/8"	6"	6"	4" - 5"
2	9 1/4"	21"	19 5/8"	6"	6"	4" - 5"
3	9 3/4"	21"	19 5/8"	6"	6"	4" - 5"
4	11 1/4"	21"	19 5/8"	6"	6"	4" - 5"
5	8 3/4"	25 1/4"	23"	6"	6"	4" - 5"
6	9 1/4"	25 1/4"	23"	6"	6"	4" - 5"
7	9 3/4"	25 1/4"	23"	6"	6"	4" - 5"



### AVAILABLE OPTIONS

**MOUNTING BRACKETS**  
ENHANCE PERFORMANCE  
EASIER INSTALLATION  
WALL, FLOOR & CEILING  
MANY STYLES AVAILABLE  
*See Page 34 For Selection*

**UPGRADE TO EZ-COIL®**  
INCREASE OPERATOR SAFETY  
AVOID PERSONAL INJURY  
LONGER REEL LIFE  
*See Page 3 For More Details*

**HOSE UPGRADE**  
PROTECTION FROM THE ELEMENTS  
EXTENDED HOSE LIFE  
APPLICATION SPECIFIC  
*See Page 33 For More Details*

**STAINLESS STEEL**  
SWIVELS, PLUMBING  
& CONSTRUCTION  
FOR NON-CORROSIVE  
PURE PRODUCT FLOW  
*See Page 15 For Details*



**GOOD VIBRATIONS? I DON'T THINK SO!**

Two Support Points To The Center Shaft With Super Hub™



### SH, MP & HP SERIES Offers...

- Hose I.D.:** 1/4" - 3/4" **Pressure:** To 5,000 PSI
- ✓ Dual Axle Support Points To The Center Shaft With Coxreels' Original Super Hub™ Axle Support System
  - ✓ Swivel Seals: NITRILE

### SPRING DRIVEN FEATURES:

- ✓ Auto Rewind Easily Wraps, Stores & Protects Hose
- ✓ Heavy Gauge 1/4" Steel Base & Support Post
- ✓ Factory-Matched Cartridge-Style Spring Motor
- ✓ Solid Machined Brass Swivel (Zinc Plated Steel On HP Models)
- ✓ 1" Solid Steel Axle With 1" Lubricated Precision Bearings
- ✓ Guide Arm Adjusts To Wall, Floor & Overhead Positions
- ✓ Multi-Position Lock Ratchet Secures Hose At Desired Length
- ✓ Non-Corrosive Stainless Steel Spring, Pawl & Zinc Plated Ratchet

### COXREELS® SIGNATURE FEATURES:

- ✓ Professional Grade Heavy Duty Steel Construction
- ✓ Durable Proprietary CPC™ Powder Coat Process
- ✓ Rolled Edges & Ribbed Discs Provide Strength & Safety
- ✓ Leading 2-Year Manufacturer's Limited Warranty
- ✓ Made In The U.S.A. Sold & Supported Worldwide

**HOW TO ORDER?**

See Page 5 For Details

**NEED SPECIAL O-RINGS**

See Page 35 For Details

CATALOG #CMC06 ©Copyright 2006 COXREELS



Toll Free 800-COX-REEL • Fax 800-229-REEL • Int 480-820-6396 • Fax 480-820-5132 • [www.coxreels.com](http://www.coxreels.com)



# Supreme Duty Hose Reels

AVAILABLE IN: **SPRING DRIVEN**  
**EZ-COIL®**

## T SERIES

**COXREELS® T Series "Truck Mount" spring driven hose reels are the toughest hose reels in the spring driven line.** The extra large chassis is strongly supported by dual pedestal-style arms that span from the roller guide bracket down to the sturdy mounting base. Triple support points to the center shaft are complimented by Coxreels' original Super Hub™ support system. They're perfect for off-road applications that demand reliability in the most abusive and demanding environments.

**LOW PRESSURE** Models with hose are for air or water service with a maximum temperature 150° F. Models less hose can be used for air, water or oil. **NOTE: Do not exceed listed hose O.D. to obtain maximum length.**

HOSE						LESS HOSE		SIZE INDEX
MODEL	I.D.	O.D.	FT.	PSI	APRX. LBS.	MODEL	APRX. LBS.	
TSH-N-350	3/8"	21/32"	50	300	61	TSHL-N-350	55	1
TSH-N-375	3/8"	21/32"	75	300	82	TSHL-N-375	73	3
TSH-N-3100	3/8"	21/32"	100	300	85	TSHL-N-3100	74	3
TSH-N-3125	3/8"	21/32"	125	300	103	TSHL-N-3125	90	3
TSH-N-450	1/2"	27/32"	50	300	63	TSHL-N-450	55	2
TSH-N-475	1/2"	27/32"	75	300	82	TSHL-N-475	71	3
TSH-N-4100	1/2"	27/32"	100	300	95	TSHL-N-4100	80	3
TSH-N-535	3/4"	15/32"	35	300	77	TSHL-N-535	67	5
TSH-N-550	3/4"	15/32"	50	300	83	TSHL-N-550	70	5
TSHF-N-550*	3/4"	15/32"	50	300	91	TSHL-N-550	70	5
TSH-N-635	1"	17/16"	35	300	92	TSHL-N-635	71	6
TSHF-N-635*	1"	17/16"	35	300	95	TSHL-N-635	71	6

\*These models are supplied with fuel hose

**MEDIUM PRESSURE** Reels are furnished with standard one wire braid hose suitable for air, water or oil applications. Hose exceeds SAE R1 specifications. Maximum temperature 250° F. **NOTE: Do not exceed listed hose O.D. to obtain maximum length.**

HOSE						LESS HOSE		SIZE INDEX
MODEL	I.D.	O.D.	FT.	PSI	APRX. LBS.	MODEL	APRX. LBS.	
TMP-N-350	3/8"	5/8"	50	3000	74	TMPL-N-350	61	2
TDMP-N-350**	3/8"	5/8"	50	3000	104	TDMP-L-350	79	7
TMP-N-375	3/8"	5/8"	75	3000	99	TMPL-N-375	80	3
TMP-N-3100	3/8"	21/32"	100	3000	106	TMPL-N-3100	82	3
TMP-N-450	1/2"	3/4"	50	2500	77	TMPL-N-450	64	2
TDMP-N-450**	1/2"	3/4"	50	2500	106	TDMP-L-450	78	7
TMP-N-475	1/2"	3/4"	75	2500	100	TMPL-N-475	80	3
TMP-N-4100	1/2"	3/4"	100	2500	106	TMPL-N-4100	80	3
TMP-N-525	3/4"	1"	25	1500	67	TMPL-N-525	57	4
TMP-N-535	3/4"	1"	35	1500	88	TMPL-N-535	74	5
TMP-N-550	3/4"	1"	50	1500	94	TMPL-N-550	74	5

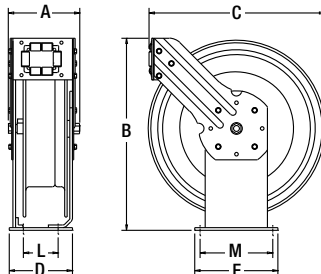
\*\*These models are designed for dual-hydraulic hose applications. See page 24

**HIGH PRESSURE** Reels are furnished standard with S.A.E. 100R16 #1 or #2 wire braid hose suitable for grease and hydraulic oil applications. Maximum temp. 250° F. **NOTE: Do not exceed listed hose O.D. to obtain maximum length.**

HOSE						LESS HOSE		SIZE INDEX
MODEL	I.D.	O.D.	FT.	PSI	APRX. LBS.	MODEL	APRX. LBS.	
THP-N-150	1/4"	17/32"	50	5000	74	THPL-N-150	62	2
THP-N-175	1/4"	17/32"	75	5000	88	THPL-N-175	71	3
THP-N-1100	1/4"	17/32"	100	5000	104	THPL-N-1100	82	3
THP-N-350	3/8"	43/64"	50	4000	78	THPL-N-350	66	4
THP-N-375	3/8"	43/64"	75	4000	98	THPL-N-375	80	5

**REEL DIMENSIONS** Technical Data Sheets Available On Website

SIZE INDEX	A	B	C	D	E	MOUNT L-M
1	8 3/4"	21 3/16"	19 5/8"	8"	9"	7" - 8"
2	9 1/4"	21 3/16"	19 5/8"	8"	9"	7" - 8"
3	9 1/4"	25 1/2"	23"	8"	9"	7" - 8"
4	9 3/4"	21 3/16"	19 5/8"	8"	9"	7" - 8"
5	9 3/4"	25 1/2"	23"	8"	9"	7" - 8"
6	10"	25 1/2"	23"	8"	9"	7" - 8"
7	10 3/4"	25 1/2"	23"	8"	9"	7" - 8"



### AVAILABLE OPTIONS

**MOUNTING BRACKETS**  
ENHANCE PERFORMANCE  
EASIER INSTALLATION  
WALL, FLOOR & CEILING  
MANY STYLES AVAILABLE  
*See Page 34 For Selection*

**UPGRADE TO EZ-COIL®**  
INCREASE OPERATOR SAFETY  
AVOID PERSONAL INJURY  
LONGER REEL LIFE  
*See Page 3 For More Details*

**HOSE UPGRADE**  
PROTECTION FROM THE ELEMENTS  
EXTENDED HOSE LIFE  
APPLICATION SPECIFIC  
*See Page 33 For More Details*

**STAINLESS STEEL**  
SWIVELS, PLUMBING  
& CONSTRUCTION  
FOR NON-CORROSIVE  
PURE PRODUCT FLOW  
*See Page 15 For Details*



**YOUR TRUCK REALLY WANTS THIS ONE!**

Three Support Points To The Center Shaft With Super Hub™



### T SERIES Offers...

Hose I.D.: 1/4" - 1" Pressure: To 5,000 PSI

- ✓ Dual Pedestal-Style Support Arms & Base
- ✓ Triple Axle Support Points To The Center Shaft With Coxreels' Original Super Hub™ Axle Support System
- ✓ Built For Rugged Mobile Applications
- ✓ Swivel Seals: NITRILE

### SPRING DRIVEN FEATURES:

- ✓ Auto Rewind Easily Wraps, Stores & Protects Hose
- ✓ Heavy Gauge Steel Base & Support Post
- ✓ Factory-Matched Cartridge-Style Spring Motor
- ✓ Solid Machined Brass Swivel (Zinc Plated Steel On HP Models)
- ✓ 1" Solid Steel Axle With 1" Lubricated Precision Bearings
- ✓ Guide Arm Adjusts To Wall, Floor & Overhead Positions
- ✓ Multi-Position Lock Ratchet Secures Hose At Desired Length
- ✓ Non-Corrosive Stainless Steel Spring, Pawl & Zinc Plated Ratchet

### COXREELS® SIGNATURE FEATURES:

- ✓ Professional Grade Heavy Duty Steel Construction
- ✓ Durable Proprietary CPC™ Powder Coat Process
- ✓ Rolled Edges & Ribbed Discs Provide Strength & Safety
- ✓ Leading 2-Year Manufacturer's Limited Warranty
- ✓ Made In The U.S.A. Sold & Supported Worldwide

**HOW TO ORDER?**  
*See Page 5 For Details*

**NEED SPECIAL O-RINGS?**  
*See Page 35 For Details*



Toll Free 800-COX-REEL • Fax 800-229-REEL • Int 480-820-6396 • Fax 480-820-5132 • [www.coxreels.com](http://www.coxreels.com)





# Dual Purpose Hose Reels

## C SERIES

AVAILABLE IN: **SPRING DRIVEN**  
**ELECTRIC**

**COXREELS® C Series "Combination" spring driven hose reels are a combination of two hose reels in one compact assembly.** They are perfect for applications in which two sources are needed to get the job done when space is a critical factor. The single mounting base creates stability and adds to the convenience of one mounting pattern. This series is also available in air hose/electrical cord combinations.

**LOW PRESSURE** Models with hose are for air or water service with a maximum temperature 150° F. Models less hose can be used for air, water or oil. **NOTE: Do not exceed listed hose O.D. to obtain maximum length.**

HOSE						LESS HOSE		SIZE INDEX
MODEL	I.D.	O.D.	FT.	PSI	APRX. LBS.	MODEL	APRX. LBS.	
C-LP-125-125	1/4"	1/2"	25	300	66	C-LPL-125-125	60	1
C-LP-135-135	1/4"	1/2"	35	300	67	C-LPL-135-135	60	1
C-LP-150-150	1/4"	1/2"	50	300	74	C-LPL-150-150	64	1
C-LP-325-325	3/8"	21/32"	25	300	67	C-LPL-325-325	60	2
C-LP-335-335	3/8"	21/32"	35	300	69	C-LPL-335-335	60	2
C-LP-350-350	3/8"	21/32"	50	300	78	C-LPL-350-350	64	2
C-LP-425-425	1/2"	27/32"	25	300	70	C-LPL-425-425	60	3

**MEDIUM PRESSURE** Reels are furnished with standard one wire braid hose suitable for air, water or oil applications. Hose exceeds SAE R1 specifications. Maximum temperature 250° F. **NOTE: Do not exceed listed hose O.D. to obtain maximum length.**

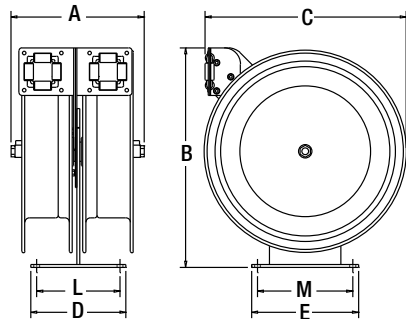
HOSE						LESS HOSE		SIZE INDEX
MODEL	I.D.	O.D.	FT.	PSI	APRX. LBS.	MODEL	APRX. LBS.	
C-MP-325-325	3/8"	5/8"	25	3000	80	C-MPL-325-325	66	3
C-MP-335-335	3/8"	5/8"	35	3000	86	C-MPL-335-335	68	3
C-MP-425-425	1/2"	3/4"	25	2500	78	C-MPL-425-425	64	3
C-MP-430-430	1/2"	3/4"	30	2500	84	C-MPL-430-430	66	3

**HIGH PRESSURE** Reels are furnished standard with S.A.E. 100R16 #1 or #2 wire braid hose suitable for grease and hydraulic oil applications. Maximum temp. 250° F. **NOTE: Do not exceed listed hose O.D. to obtain maximum length.**

HOSE						LESS HOSE		SIZE INDEX
MODEL	I.D.	O.D.	FT.	PSI	APRX. LBS.	MODEL	APRX. LBS.	
C-HP-125-125	1/4"	17/32"	25	5000	78	C-HPL-125-125	66	3
C-HP-135-135	1/4"	17/32"	35	5000	84	C-HPL-135-135	68	3
C-HP-325-325	3/8"	49/64"	25	4000	78	C-HPL-325-325	64	3
C-HP-330-330	3/8"	43/64"	30	4000	82	C-HPL-330-330	66	3

**REEL DIMENSIONS** Technical Data Sheets Available On Website

SIZE INDEX	A	B	C	D	E	MOUNT L-M
1	10 1/2"	18 1/4"	17 1/4"	8"	9"	7"-8"
2	11 1/8"	18 1/4"	17 1/4"	8"	9"	7"-8"
3	12 1/2"	18 1/4"	17 1/4"	8"	9"	7"-8"



**DOUBLE YOUR PRODUCTIVITY**



Sturdy, Convenient Single Mounting Base

### C SERIES Offers...

**Hose I.D.:** 1/4" - 1/2" **Pressure:** To 5,000 PSI

- ✓ Compact Two Reel Assembly
- ✓ One Convenient Mounting Base
- ✓ Each Reel Operates Independently
- ✓ Swivel Seals: NITRILE

### SPRING DRIVEN FEATURES:

- ✓ Auto Rewind Easily Wraps, Stores & Protects Hose
- ✓ Heavy Gauge Steel Base & Support Post
- ✓ Factory-Matched Cartridge-Style Spring Motors
- ✓ Two Brass NPT Swivel Inlets Machined From Solid (Zinc Plated Steel On HP Models)
- ✓ 1" Solid Steel Axle With 1" Lubricated Precision Bearings
- ✓ Guide Arms Adjust To Wall, Floor & Overhead Positions
- ✓ Multi-Position Lock Ratchet Secures Hose At Desired Length
- ✓ Non-corrosive Stainless Steel Springs, Pawls & Zinc Plated Ratchets

### COXREELS® SIGNATURE FEATURES:

- ✓ Professional Grade Heavy Duty Steel Construction
- ✓ Durable Proprietary CPC™ Powder Coat Process
- ✓ Rolled Edges & Ribbed Discs Provide Strength & Safety
- ✓ Leading 2-Year Manufacturer's Limited Warranty
- ✓ Made In The U.S.A. Sold & Supported Worldwide

**HOW TO ORDER?**  
See Page 5 For Details

**NEED SPECIAL O-RINGS**  
See Page 35 For Details

### AVAILABLE OPTIONS

**MOUNTING BRACKETS**  
ENHANCE PERFORMANCE  
EASIER INSTALLATION  
WALL, FLOOR & CEILING  
MANY STYLES AVAILABLE  
See Page 34 For Selection

**HOSE UPGRADE**  
PROTECTION FROM THE ELEMENTS  
EXTENDED HOSE LIFE  
APPLICATION SPECIFIC  
See Page 33 For More Details

**STAINLESS STEEL**  
SWIVELS & PLUMBING  
FOR PURE PRODUCT FLOW  
APPLICATIONS  
Consult Factory For Details



Toll Free 800-COX-REEL • Fax 800-229-REEL • Int 480-820-6396 • Fax 480-820-5132 • [www.coxreels.com](http://www.coxreels.com)



# Enclosed Hose Reels

AVAILABLE IN: **SPRING DRIVEN**

## EN SERIES

**COXREELS® EN Series "Enclosed" spring driven hose reels are protected by a powder coated steel casing that shields out the elements to protect and extend the life of the reel, the hose and the components inside.** It adds a neat, tidy, aesthetic appearance to work environments that demand a clean and professional look. The 3 piece casing is easy to assemble and disassemble for simple installation and maintenance.

**LOW PRESSURE** Models with hose are for air or water service with a maximum temperature 150° F. Models less hose can be used for air, water or oil. **NOTE: Do not exceed listed hose O.D. to obtain maximum length.**

HOSE						SIZE INDEX
MODEL	I.D.	O.D.	FT.	PSI	APRX. LBS.	
EN-N-125	1/4"	1/2"	25	300	51	1
EN-N-135	1/4"	1/2"	35	300	51	1
EN-N-150	1/4"	1/2"	50	300	52	1
EN-N-160	1/4"	1/2"	60	300	65	2
EN-N-325	3/8"	21/32"	25	300	49	1
EN-N-335	3/8"	21/32"	35	300	50	1
EN-N-350	3/8"	21/32"	50	300	65	2
EN-N-360	3/8"	21/32"	60	300	68	2
EN-N-425	1/2"	27/32"	25	300	63	1
EN-N-435	1/2"	27/32"	35	300	64	2
EN-N-450	1/2"	27/32"	50	300	69	2

**MEDIUM PRESSURE** Reels are furnished with standard one wire braid hose suitable for air, water or oil applications. Hose exceeds SAE R1 specifications. Maximum temperature 250° F. **NOTE: Do not exceed listed hose O.D. to obtain maximum length.**

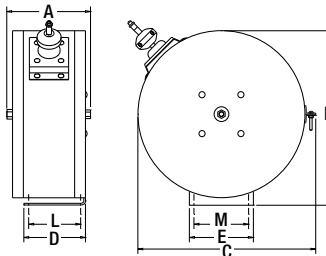
HOSE						SIZE INDEX
MODEL	I.D.	O.D.	FT.	PSI	APRX. LBS.	
ENM-N-325	3/8"	5/8"	25	3000	61	1
ENM-N-335	3/8"	5/8"	35	3000	64	1
ENM-N-350	3/8"	5/8"	50	3000	80	2
ENM-N-425	1/2"	3/4"	25	2500	61	1
ENM-N-435	1/2"	3/4"	35	2500	76	2
ENM-N-450	1/2"	3/4"	50	2500	82	2

**HIGH PRESSURE** Reels are furnished standard with S.A.E. 100R16 #1 or #2 wire braid hose suitable for grease and hydraulic oil applications. Maximum temp. 250° F. **NOTE: Do not exceed listed hose O.D. to obtain maximum length.**

HOSE						SIZE INDEX
MODEL	I.D.	O.D.	FT.	PSI	APRX. LBS.	
ENH-N-125	1/4"	17/32"	25	5000	60	1
ENH-N-135	1/4"	17/32"	35	5000	63	1
ENH-N-150	1/4"	17/32"	50	5000	79	2
ENH-N-160	1/4"	17/32"	60	5000	85	2
ENH-N-325	3/8"	43/64"	25	4000	61	1
ENH-N-335	3/8"	43/64"	35	4000	76	2
ENH-N-350	3/8"	43/64"	50	4000	80	2

**REEL DIMENSIONS** Technical Data Sheets Available On Website

SIZE INDEX	A	B	C	D	E	MOUNT L-M
1	7"	18 3/4"	18 3/4"	6"	6"	4" - 5"
2	9 1/4"	21 3/4"	21 3/4"	6"	6"	4" - 5"



**WHO SAYS LOOKS AREN'T EVERYTHING!**

Heavy Duty Steel Construction

Durable CPC™ Powder Coat Finish



### EN SERIES Offers...

**Hose I.D.:** 1/4" - 1/2" **Pressure:** To 5,000 PSI

- ✓ For Appearance & Greater Protection
- ✓ Designed For Easy Installation & Service
- ✓ Heavy Gauge Steel 3-Piece Casing
- ✓ Adjustable Hose Roller Guide
- ✓ Swivel Seals: NITRILE
- ✓ "Super Hub" Dual Axle Support On Models With Size Index #2

#### SPRING DRIVEN FEATURES:

- ✓ Auto Rewind Easily Wraps, Stores & Protects Hose
- ✓ Heavy Gauge Steel Base & Support Post
- ✓ Factory-Matched Cartridge-Style Spring Motor
- ✓ Brass NPT Swivel Inlet Machined From Solid (Zinc Plated Steel On HP Models)
- ✓ 1" Solid Steel Axle With 1" Lubricated Precision Bearings
- ✓ Multi-Position Lock Ratchet Secures Hose At Desired Length
- ✓ Non-Corrosive Stainless Steel Spring, Pawl & Zinc Plated Ratchet

#### COXREELS® SIGNATURE FEATURES:

- ✓ Professional Grade Heavy Duty Steel Construction
- ✓ Durable Proprietary CPC™ Powder Coat Process
- ✓ Rolled Edges & Ribbed Discs Provide Strength & Safety
- ✓ Leading 2-Year Manufacturer's Limited Warranty
- ✓ Made In The U.S.A. Sold & Supported Worldwide

**HOW TO ORDER?**  
See Page 5 For Details

**NEED SPECIAL O-RINGS**  
See Page 35 For Details

### AVAILABLE OPTIONS

**MOUNTING BRACKETS**  
ENHANCE PERFORMANCE  
EASIER INSTALLATION  
WALL, FLOOR & CEILING  
MANY STYLES AVAILABLE  
*See Page 34 For Selection*

**HOSE UPGRADE**  
PROTECTION FROM THE ELEMENTS  
EXTENDED HOSE LIFE  
APPLICATION SPECIFIC  
*See Page 33 For More Details*

**STAINLESS STEEL**  
SWIVELS, PLUMBING  
& CONSTRUCTION  
FOR NON-CORROSIVE  
PURE PRODUCT FLOW  
*See Page 15 For Details*



Toll Free 800-COX-REEL • Fax 800-229-REEL • Int 480-820-6396 • Fax 480-820-5132 • [www.coxreels.com](http://www.coxreels.com)



# Expandable Metal Cabinets

AVAILABLE IN: **SPRING DRIVEN**  
**EZ-COIL®**

## E SERIES

**COXREELS® E Series "Expandable" multiple bank system is the pinnacle in professional appearance and organization.** The cabinets are interlocking and expandable to any number of spring driven reel assemblies required. Designed for easy installation, maintenance and servicing the E Series system is truly the professional's choice for multimedia delivery in one custom package.

**LOW PRESSURE** Models with hose are for air or water service with a maximum temperature 150° F. Models less hose can be used for air, water or oil. **NOTE: Do not exceed listed hose O.D. to obtain maximum length.**

HOSE					LESS HOSE		SIZE INDEX	
MODEL	I.D.	O.D.	FT.	PSI	APRX. LBS.	MODEL		
E-LP-330	3/8"	21/32"	30	300	33	E-LPL-330	29	<b>1</b>
E-LP-350	3/8"	21/32"	50	300	46	E-LPL-350	40	<b>2</b>
E-LP-430	1/2"	27/32"	30	300	41	E-LPL-430	36	<b>1</b>
E-LP-450	1/2"	27/32"	50	300	50	E-LPL-450	42	<b>2</b>

**MEDIUM PRESSURE** Reels are furnished with standard one wire braid hose suitable for air, water or oil applications. Hose exceeds SAE R1 specifications. Maximum temperature 250° F. **NOTE: Do not exceed listed hose O.D. to obtain maximum length.**

HOSE					LESS HOSE		SIZE INDEX	
MODEL	I.D.	O.D.	FT.	PSI	APRX. LBS.	MODEL		
E-MP-330	3/8"	5/8"	30	3000	47	E-MPL-330	39	<b>1</b>
E-MP-350	3/8"	5/8"	50	3000	61	E-MPL-350	49	<b>2</b>
E-MP-430	1/2"	3/4"	30	2500	47	E-MPL-430	39	<b>1</b>
E-MP-450	1/2"	3/4"	50	2500	63	E-MPL-450	49	<b>2</b>

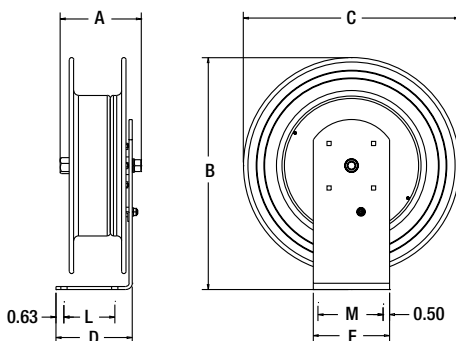
**HIGH PRESSURE** Reels are furnished standard with S.A.E. 100R16 #1 or #2 wire braid hose suitable for grease and hydraulic oil applications. Maximum temp. 250° F. **NOTE: Do not exceed listed hose O.D. to obtain maximum length.**

HOSE					LESS HOSE		SIZE INDEX	
MODEL	I.D.	O.D.	FT.	PSI	APRX. LBS.	MODEL		
E-HP-130	1/4"	17/32"	30	5000	46	E-HPL-130	39	<b>3</b>
E-HP-150	1/4"	17/32"	50	5000	60	E-HPL-150	49	<b>4</b>
E-HP-330	3/8"	43/64"	30	4000	47	E-HPL-330	39	<b>3</b>
E-HP-350	3/8"	43/64"	50	4000	61	E-HPL-350	49	<b>4</b>

### REEL DIMENSIONS

Technical Data Sheets Available On Website

SIZE INDEX	A	B	C	D	E	MOUNT L-M
<b>1</b>	6 1/8"	18 1/4"	17 1/4"	6"	6"	4" - 5"
<b>2</b>	8 3/4"	21"	19 5/8"	6"	6"	4" - 5"
<b>3</b>	7"	18 1/4"	17 1/4"	6"	6"	4" - 5"
<b>4</b>	9 1/4"	21"	19 5/8"	6"	6"	4" - 5"



### E SERIES Offers...

**Hose I.D.:** 1/4" - 1/2" **Pressure:** To 5,000 PSI

- ✓ Attractive Multiple Reel Bank System
- ✓ Swivel Seals: NITRILE

### SPRING DRIVEN FEATURES:

- ✓ Auto Rewind Easily Wraps, Stores & Protects Hose
- ✓ Heavy Gauge Steel Base & Support Post
- ✓ Factory-Matched & Lubricated Cartridge-Style Spring Motor
- ✓ Brass NPT Swivel Inlet Machined From Solid (Zinc Plated Steel On HP Models)
- ✓ 1" Solid Steel Axle With 1" Lubricated Precision Bearings
- ✓ Multi-Position Lock Ratchet Secures Hose At Desired Length
- ✓ Non-Corrosive Stainless Steel Spring, Pawl & Zinc Plated Ratchet

### CABINET Offers...



**Length:** 24 1/2" **Width:** 11 1/8" **Height:** 22 1/4"

- ✓ Unlimited Expandability
- ✓ Easy To Install
- ✓ Cabinet Constructed Of 14 Gauge Steel With 4-Roller Non-Snag Hose Guide System For Reduced Hose Wear
- ✓ All Steel Access Panel
- ✓ Mounting Bracket Is 3/16" Bent Steel, Fits 3" To 8 1/2" Flange On "I" Or "H" Beam
- ✓ Easy Access For Connection Of Air, Water, Oil & Grease

**METAL CABINET: #1796-2** - Includes cabinet, access panel & mounting bracket. Weight: 45 lbs.  
**END PANELS: #1798-1** - Includes a set of two, all steel construction. Finished & caps the ends of each bank. Weight: 8 lbs.

### COXREELS® SIGNATURE FEATURES:

- ✓ Professional Grade Heavy Duty Steel Construction
- ✓ Durable Proprietary CPC™ Powder Coat Process
- ✓ Rolled Edges & Ribbed Discs Provide Strength & Safety
- ✓ Leading 2-Year Manufacturer's Limited Warranty
- ✓ Made In The U.S.A. Sold & Supported Worldwide

### AVAILABLE OPTIONS

#### UPGRADE TO EZ-COIL®

**INCREASE OPERATOR SAFETY**  
**AVOID PERSONAL INJURY**  
**LONGER REEL LIFE**



See Page 3 For More Details

#### HOSE UPGRADE

**PROTECTION FROM THE ELEMENTS**  
**EXTENDED HOSE LIFE**  
**APPLICATION SPECIFIC**



See Page 33 For More Details

#### STAINLESS STEEL

**SWIVELS & PLUMBING**  
**FOR PURE PRODUCT FLOW**  
**APPLICATIONS**



Consult Factory For Details

**HOW TO ORDER?**  
See Page 5 For Details

**NEED SPECIAL O-RINGS**  
See Page 35 For Details



Toll Free 800-COX-REEL • Fax 800-229-REEL • Int 480-820-6396 • Fax 480-820-5132 • [www.coxreels.com](http://www.coxreels.com)





# Air/Electric Combo Reels

AVAILABLE IN: **SPRING DRIVEN**  
**ELECTRIC**

## C SERIES

**COXREELS® C Series "Combination" spring driven air hose/electric cord reels are two reels in one compact assembly.** They are perfect for applications that require pneumatic air and an electrical power feed. The single expanded mounting base creates stability and adds to the convenience of one mounting pattern. This series is also available in dual hose combinations.

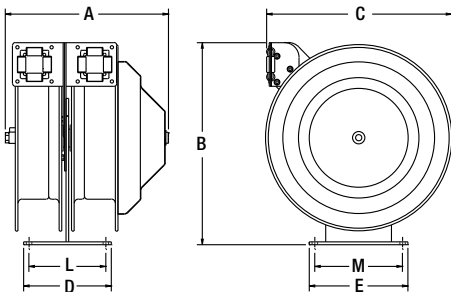
**FOR INDOOR USE ONLY** Coxreels electric and pneumatic hose reels operate as two independent, self-retracting 50 foot trouble-free assemblies. All models rated: 115 volts, 3" conductors, 60 Hz single phase.

MODEL	ACCESSORY	ELECTRIC CORD				AIR HOSE REEL					SIZE INDEX
		AWG.	CORD FT.	TYPE	AMPS.	I.D.	O.D.	FT.	PSI	APRX. LBS.	
<b>C-L350-5016-A</b>	Single Industrial Receptacle	16 GA.	50	SJO	13	3/8"	2 1/32"	50	300	94	<b>1</b>
<b>C-L350-5012-A</b>		12 GA.	50	SJO	20	3/8"	2 1/32"	50	300	96	<b>1</b>
<b>C-L350-5012-B</b>	Quad "4 Plug" Industrial Receptacle	12 GA.	50	SJO	20	3/8"	2 1/32"	50	300	97	<b>1</b>
<b>C-L350-5016-C</b>	Fluorescent Tube Light - Shock Absorbing & Shatter Resistant	16 GA.	50	SJTO	.3	3/8"	2 1/32"	50	300	94	<b>1</b>
<b>C-L350-5016-D</b>	Fluorescent Angle Light with Tool Tap Plug	16 GA.	50	SJTO	13	3/8"	2 1/32"	50	300	94	<b>1</b>
<b>C-L350-5016-E</b>	Incandescent Caged Drop Light with Tool Tap Plug	16 GA.	50	SJTO	13	3/8"	2 1/32"	50	300	94	<b>1</b>
<b>C-L350-5016-F</b>	Duplex G.F.C.I. Metal Industrial Receptacle	16 GA.	50	SJTO	13	3/8"	2 1/32"	50	300	94	<b>1</b>
<b>C-L350-5012-F</b>		12 GA.	50	SJO	20	3/8"	2 1/32"	50	300	96	<b>1</b>
<b>C-L350-5016-X</b>	With Hose, With Cord, Less Accessory	16 GA.	50	SJO	13	3/8"	2 1/32"	50	300	93	<b>1</b>
<b>C-L350-5012-X</b>	Less Hose, Less Cord, Less Accessory	12 GA.	50	SJO	20	3/8"	2 1/32"	50	300	95	<b>1</b>
<b>C-L350L-5016L-X</b>	Less Hose, Less Cord, Less Accessory	16 GA.	50	N/A	25	3/8"	2 1/32"	50	300	78	<b>1</b>
<b>C-L350L-5012L-X</b>	Less Hose, Less Cord, Less Accessory	12 GA.	50	N/A	25	3/8"	2 1/32"	50	300	78	<b>1</b>

\*Consult factory with 4 conductor requirements.

### REEL DIMENSIONS Technical Data Sheets Available On Website

SIZE INDEX	A	B	C	D	E	MOUNT L-M
<b>1</b>	15 1/2"	18 1/4"	17 1/4"	8"	9"	7" - 8"



**ONE TOUGH TWO FISTED REEL!**

*Sturdy, Convenient Single Mount Base*



### C SERIES Offers...

- Hose I.D.: 3/8" AWG: 12 & 16 Gauge
- ✓ Compact Two Reel Assembly
- ✓ One Convenient Mounting Base
- ✓ Each Reel Operates Independently
- ✓ Swivel Seals: NITRILE
- ✓ Includes 5' Pigtail & Grounding Plug (Except On Less Hose Models)


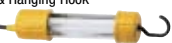



### SPRING DRIVEN FEATURES:

- ✓ Auto Rewind Easily Wraps, Stores & Protects Hose
- ✓ Heavy Gauge Steel Base & Support Posts
- ✓ Factory-Matched Cartridge-Style Spring Motors
- ✓ Brass NPT Swivel Inlet Machined From Solid
- ✓ 1" Solid Steel Axle With 1" Lubricated Precision Bearings
- ✓ Guide Arms Adjust To Wall, Floor & Overhead Positions
- ✓ Multi-Position Lock Ratchet Secures Hose At Desired Length
- ✓ Non-Corrosive Stainless Steel Spring, Pawl & Zinc Plated Ratchet

### COXREELS® SIGNATURE FEATURES:

- ✓ Professional Grade Heavy Duty Steel Construction
- ✓ Durable Proprietary CPC™ Powder Coat Process
- ✓ Rolled Edges & Ribbed Discs Provide Strength & Safety
- ✓ Leading 2-Year Manufacturer's Limited Warranty
- ✓ Made In The U.S.A. Sold & Supported Worldwide

### AVAILABLE ACCESSORIES

<b>SINGLE INDUSTRIAL RECEPTACLE - SUFFIX "A"</b> 	<b>QUAD "4 PLUG" INDUSTRIAL RECEPTACLE - SUFFIX "B"</b> 	<b>FLUORESCENT TUBE LIGHT - SUFFIX "C"</b> - Shatter Resistant Fluorescent Tube Light With On/Off Switch & Hanging Hook 
<b>FLUORESCENT ANGLE LIGHT - SUFFIX "D"</b> - Fluorescent Angle Light With On/Off Switch, Power Tool Tap Plug & Hanging Hook 	<b>CAGED INCANDESCENT DROPLIGHT - SUFFIX "E"</b> - Metal Caged Incandescent Drop Light With Push Through On/Off Switch, Power Tool Tap Plug & Hanging Hook 	<b>DUPLEX G.F.C.I. METAL OUTLET BOX - SUFFIX "F"</b> - Duplex G.F.C.I. Metal Outlet Box With Spring Loaded Flip-Top Lid. Protects Against Electrical Shock From A Live Wire & Path To Ground. Not A Substitute For Fuses or Circuit Breakers. 

### AVAILABLE OPTIONS

**MOUNTING BRACKETS**  
ENHANCE PERFORMANCE  
EASIER INSTALLATION  
WALL, FLOOR & CEILING  
MANY STYLES AVAILABLE  
*See Page 34 For Selection*

**HOSE UPGRADE**  
PROTECTION FROM THE ELEMENTS  
EXTENDED HOSE LIFE  
APPLICATION SPECIFIC  
*See Page 33 For More Details*

**STAINLESS STEEL**  
SWIVELS & PLUMBING  
FOR PURE PRODUCT FLOW  
APPLICATIONS  
*Consult Factory For Details*

**HOW TO ORDER?**  
*See Page 5 For Details*

**NEED SPECIAL O-RINGS**  
*See Page 35 For Details*



Toll Free 800-COX-REEL • Fax 800-229-REEL • Int 480-820-6396 • Fax 480-820-5132 • [www.coxreels.com](http://www.coxreels.com)



# Power Cord Reels

AVAILABLE IN: **SPRING DRIVEN**  
**ELECTRIC**  
**EZ-COIL®**

## PC SERIES

**COXREELS® PC Series** spring driven "Power Cord" reels are heavy duty, industrial grade power sources. They replace tangled extension cords and self-retract to increase safety, productivity and efficiency. Modeled after the P and SH Series, the PC Series are designed for long-lasting, trouble-free performance even under the most demanding conditions.

**FOR INDOOR USE ONLY!** All models rated at 115 volts, 60 hz single phase only.

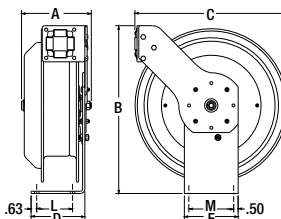
CORD & ACCESSORY									SIZE INDEX
MODEL	ACCESSORY	AWG.	NO. COND.*	CORD FT.	TYPE	VOLT.	AMPS.	APRX. LBS.	
PC13-3516-A <sup>†</sup>	Single Industrial Receptacle	16 GA.	3	35	SJO	115	13	34	1
PC13-5016-A <sup>†</sup>		16 GA.	3	50	SJO	115	13	36	1
PC19-7516-A		16 GA.	3	75	SJO	115	13	60	3
PC24-0016-A		16 GA.	3	100	SJO	115	13	73	4
PC13-3512-A <sup>†</sup>	Quad "4 Plug" Industrial Receptacle	12 GA.	3	35	SJO	115	20	37	1
PC13-5012-A <sup>†</sup>		12 GA.	3	50	SJO	115	20	40	1
PC19-7512-A		12 GA.	3	75	SJO	115	20	67	3
PC24-0012-A		12 GA.	3	100	SJO	115	20	81	4
PC13-3512-B <sup>†</sup>	Fluor. Tube Light - Shock Absorbing & Shatter Resistant	12 GA.	3	35	SJO	115	20	38	1
PC13-5012-B <sup>†</sup>		12 GA.	3	50	SJO	115	20	41	1
PC19-7512-B		12 GA.	3	75	SJO	115	20	68	3
PC24-0012-B		12 GA.	3	100	SJO	115	20	84	4
PC13-3516-C <sup>†</sup>	Fluorescent Angle Light with Tool Tap Plug	16 GA.	3	35	SJTO	115	0.3	35	1
PC13-5016-C <sup>†</sup>		16 GA.	3	50	SJTO	115	0.3	37	1
PC24-0016-C		16 GA.	3	100	SJTO	115	13	75	4
PC13-3516-D <sup>†</sup>		16 GA.	3	35	SJTO	115	13	35	1
PC13-5016-D <sup>†</sup>	Incandescent Caged Drop Light with Tool Tap Plug	16 GA.	3	50	SJTO	115	13	37	1
PC24-0016-D		16 GA.	3	100	SJTO	115	13	73	4
PC13-3516-E <sup>†</sup>		16 GA.	3	35	SJTO	115	13	34	1
PC13-5016-E <sup>†</sup>		16 GA.	3	50	SJTO	115	13	36	1
PC19-7516-E	Duplex G.F.C.I. Metal Industrial Receptacle	16 GA.	3	75	SJTO	115	13	60	3
PC24-0016-E		16 GA.	3	100	SJTO	115	13	73	4
PC13-3516-F <sup>†</sup>		16 GA.	3	35	SJO	115	13	36	1
PC13-5016-F <sup>†</sup>		16 GA.	3	50	SJO	115	13	38	1
PC19-7516-F	Less Cord, Less Accessory	16 GA.	3	75	SJO	115	13	60	3
PC24-0016-F		16 GA.	3	100	SJO	115	13	73	4
PC13-3512-F <sup>†</sup>		12 GA.	3	35	SJO	115	20	39	1
PC13-5012-F <sup>†</sup>		12 GA.	3	50	SJO	115	20	42	1
PC19-7512-F	With Cord, Less Accessory	12 GA.	3	75	SJO	115	20	67	3
PC24-0012-F		12 GA.	3	100	SJO	115	20	83	4
PC13L-5016 <sup>††</sup>		16 GA.	3	50**	SJO	115	25	31	1
PC19L-7516		16 GA.	3	75**	SJO	115	13	52	3
PC24L-0016	With Cord, Less Accessory	16 GA.	3	100**	SJO	115	13	62	4
PC13L-5012 <sup>††</sup>		12 GA.	3	50**	SJO	115	25	29	1
PC19L-7512		12 GA.	3	75**	SJO	115	25	53	3
PC24L-0012		12 GA.	3	100**	SJO	115	25	64	4
PC17L-5010 <sup>††</sup>		10 GA.	3	-	-	115	35	49	2
PC19-7516-X		16 GA.	3	75	SJO	115	13	60	3
PC24-0016-X		16 GA.	3	100	SJO	115	13	71	4
PC13-5012-X <sup>††</sup>		12 GA.	3	50	SJO	115	20	40	1
PC19-7512-X		12 GA.	3	75	SJO	115	20	66	3
PC24-0012-X		12 GA.	3	100	SJO	115	20	81	4
PC17-3510-X <sup>††</sup>		10 GA.	3	35	SO	115	30	62	2
PC17-5010-X <sup>††</sup>		10 GA.	3	50	SO	115	30	67	2

\*Consult factory with 4 conductor requirements. \*\*When not using specified cord type capacity may vary.

### REEL DIMENSIONS

Technical Data Sheets Available On Website

SIZE INDEX	A	B	C	D	E	MOUNT L-M
1	8½"	14½"	13¾"	5"	6"	3"- 5"
2	11"	18¼"	17¼"	6"	6"	4"- 5"
3	9¾"	21"	19½"	6"	6"	4"- 5"
4	9¾"	25¼"	23"	6"	6"	4"- 5"



### AVAILABLE OPTIONS

**MOUNTING BRACKETS**  
ENHANCE PERFORMANCE  
EASIER INSTALLATION  
WALL, FLOOR & CEILING  
MANY STYLES AVAILABLE  
*See Page 34 For Selection*

**UPGRADE TO EZ-COIL®**  
INCREASE OPERATOR SAFETY  
AVOID PERSONAL INJURY  
LONGER REEL LIFE  
*See Page 3 For More Details*



**POWER WITHOUT THE TRIPPING!**

UL Listed †

Recognized ††

### PC SERIES Offers...

- AWG:** 10, 12, & 16 Gauge
- ✓ Includes 5' Pigtail & Grounding Plug (Except On Less Hose Models)
  - ✓ Heavy Gauge Powder Coated Steel Components Cover
  - ✓ Choice Of Electrical Accessories
  - ✓ "Super Hub" Dual Axle Support On Models With Size Index #3 & #4

### SPRING DRIVEN FEATURES:

- ✓ Auto Rewind Easily Wraps, Stores & Protects Electrical Cord
- ✓ Heavy Gauge Steel Base & Support Post
- ✓ Factory-Matched Cartridge-Style Spring Motor
- ✓ 1" Solid Steel Axle With 1" Lubricated Precision Bearings
- ✓ Guide Arm Adjusts To Wall, Floor & Overhead Positions
- ✓ Multi-Position Lock Ratchet Secures Cord At Desired Length
- ✓ Non-Corrosive Stainless Steel Spring, Pawl & Zinc Plated Ratchet

### COXREELS® SIGNATURE FEATURES:

- ✓ Professional Grade Heavy Duty Steel Construction
- ✓ Durable Proprietary CPC™ Powder Coat Process
- ✓ Rolled Edges & Ribbed Discs Provide Strength & Safety
- ✓ Leading 2-Year Manufacturer's Limited Warranty
- ✓ Made In The U.S.A. Sold & Supported Worldwide

### HOW TO ORDER?

See Page 5 For Details

### AVAILABLE ACCESSORIES

<b>SINGLE INDUSTRIAL RECEPTACLE - SUFFIX "A"</b> 	<b>QUAD "4 PLUG" INDUSTRIAL RECEPTACLE - SUFFIX "B"</b> 	<b>FLUORESCENT TUBE LIGHT - SUFFIX "C"</b> Shatter Resistant Fluorescent Tube Light With On/Off Switch & Hanging Hook 
<b>FLUORESCENT ANGLE LIGHT - SUFFIX "D"</b> Fluorescent Angle Light With On/Off Switch, Power Tool Tap Plug & Hanging Hook 	<b>CAGED INCANDESCENT DROPLIGHT SUFFIX "E"</b> Metal Caged Incandescent Drop Light With Push Through On/Off Switch, Power Tool Tap Plug & Hanging Hook 	<b>DUPLEX G.F.C.I. METAL OUTLET BOX SUFFIX "F"</b> Duplex G.F.C.I. Metal Outlet Box With Spring Loaded Flip-Top Lid. Protects Against Electrical Shock From A Live Wire & Path To Ground. Not A Substitute For Fuses or Circuit Breakers. 



Toll Free 800-COX-REEL • Fax 800-229-REEL • Int 480-820-6396 • Fax 480-820-5132 • [www.coxreels.com](http://www.coxreels.com)



# Aluminum Hose Reels

AVAILABLE IN: **SPRING DRIVEN**



## ALUMI-PRO® SERIES

**COXREELS®** Alumi-Pro® Series "Aluminum Professional-Grade" spring driven hose reels have the strength of steel without the weight! The Alumi-Pro® series is modeled after Coxreels' popular P Series line of hose reels, but are uniquely constructed out of high quality aluminum. They're compact, lightweight and non-corrosive making them the perfect choice when polypropylene or plastic hose reels are not the preferred choice due to their limited strength and durability.

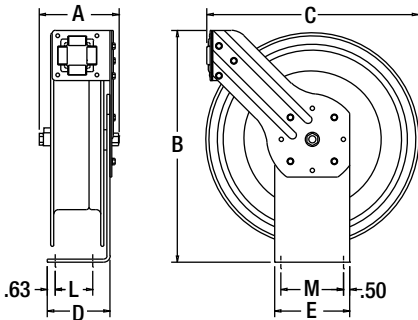
**LOW PRESSURE** Models with hose are for air or water service with a maximum temperature 150° F. Models less hose can be used for air, water or oil. **NOTE: Do not exceed listed hose O.D. to obtain maximum length.**

HOSE						LESS HOSE		SIZE INDEX
MODEL	I.D.	O.D.	FT.	PSI	APRX. LBS.	MODEL	APRX. LBS.	
P-LP-125-AL	1/4"	1/2"	25	300	18	P-LPL-125-AL	15	<b>1</b>
P-LP-150-AL	1/4"	1/2"	50	300	25	P-LPL-150-AL	18	<b>3</b>
P-LP-325-AL	3/8"	2 1/32"	25	300	19	P-LPL-325-AL	16	<b>2</b>
P-LP-350-AL	3/8"	2 1/32"	50	300	27	P-LPL-350-AL	20	<b>3</b>
P-LP-425-AL	1/2"	2 7/32"	25	300	29	P-LPL-425-AL	22	<b>4</b>
P-LP-430-AL	1/2"	2 7/32"	30	300	31	P-LPL-430-AL	22	<b>4</b>

### REEL DIMENSIONS

Technical Data Sheets Available On Website

SIZE INDEX	A	B	C	D	E	MOUNT L-M
<b>1</b>	6"	14 1/2"	13 3/4"	5"	6"	3" - 5"
<b>2</b>	6 1/4"	14 1/2"	13 3/4"	5"	6"	3" - 5"
<b>3</b>	6 1/8"	18 1/4"	17 1/4"	6"	6"	4" - 5"
<b>4</b>	7"	18 1/4"	17 1/4"	6"	6"	4" - 5"



### ALUMI-PRO® SERIES Offers...

**Hose I.D.:** 1/4" - 1/2" **Pressure:** To 300 PSI

- ✓ Industrial Strength Powder Coated Aluminum Construction
- ✓ Compact Space Saving Size
- ✓ For Applications That Require Professional Grade Strength Without The Weight
- ✓ Swivel Seals: NITRILE

#### SPRING DRIVEN FEATURES:

- ✓ Auto Rewind Easily Wraps, Stores & Protects Hose
- ✓ Lightweight Aluminum Base & Support Post
- ✓ Factory-Matched Cartridge-Style Spring Motor
- ✓ Brass NPT Swivel Inlet Machined From Solid
- ✓ 1" Solid Steel Axle With 1" Lubricated Precision Bearings
- ✓ Multi-Position Lock Ratchet Secures Hose At Desired Length
- ✓ Non-Corrosive Stainless Steel Spring, Pawl & Zinc Plated Ratchet

#### COXREELS® SIGNATURE FEATURES:

- ✓ Professional Grade Heavy Duty Aluminum Construction
- ✓ Durable Proprietary CPC™ Powder Coat Process
- ✓ Rolled Edges & Ribbed Discs Provide Strength & Safety
- ✓ Leading 2-Year Manufacturer's Limited Warranty
- ✓ Made In The U.S.A. Sold & Supported Worldwide

**HOW TO ORDER?**

See Page 5 For Details

**NEED SPECIAL O-RINGS**

See Page 35 For Details

### AVAILABLE OPTIONS

**MOUNTING BRACKETS**  
**ENHANCE PERFORMANCE EASIER INSTALLATION WALL, FLOOR & CEILING MANY STYLES AVAILABLE**  
 See Page 34 For Selection

**HOSE UPGRADE**  
**PROTECTION FROM THE ELEMENTS EXTENDED HOSE LIFE APPLICATION SPECIFIC**  
 See Page 33 For More Details

**STAINLESS STEEL**  
**SWIVELS & PLUMBING FOR PURE PRODUCT FLOW APPLICATIONS**  
 Consult Factory For Details



Toll Free 800-COX-REEL • Fax 800-229-REEL • Int 480-820-6396 • Fax 480-820-5132 • [www.coxreels.com](http://www.coxreels.com)



# Stainless Steel Hose Reels

AVAILABLE IN: **SPRING DRIVEN**  
**HAND CRANK**

## SS SERIES

**COXREELS® SS Series "Stainless Steel" hand crank and spring driven hose reels have similar features to their related series, but are constructed of high quality electro-polished stainless steel with stainless steel fluid paths.** They offer clean, non-corrosive performance in applications that require it, such as food and chemical processing, marinas, and anywhere that rust, corrosion and contamination thrive.

### P, SH, & MP SERIES - Spring Rewind

LESS HOSE							SIZE INDEX
MODEL	I.D.	O.D.	FT.	PSI	APPR. LBS.		
<b>P-LPL-335-SS</b>	3/8"	21/32"	35	300	34	<b>1</b>	
<b>P-LPL-350-SS</b>	3/8"	21/32"	50	300	39	<b>3</b>	
<b>P-LPL-425-SS</b>	1/2"	27/32"	25	300	39	<b>2</b>	
<b>SHL-N-350-SS</b>	3/8"	21/32"	50	300	44	<b>3</b>	
<b>SHL-N-450-SS</b>	1/2"	27/32"	50	300	46	<b>4</b>	
<b>SHL-N-525-SS</b>	3/4"	1"	25	300	45	<b>4</b>	
<b>MPL-N-350-SS</b>	3/8"	5/8"	50	3000	53	<b>4</b>	
<b>MPL-N-450-SS</b>	1/2"	3/4"	50	2500	53	<b>4</b>	

### T SERIES - Spring Rewind

LESS HOSE							SIZE INDEX
MODEL	I.D.	O.D.	FT.	PSI	APPR. LBS.		
<b>TSHL-N-4100-SS</b>	1/2"	27/32"	100	300	80	<b>7</b>	
<b>TSHL-N-550-SS</b>	3/4"	1"	50	300	70	<b>8</b>	

### EN SERIES - Enclosed Spring Rewind

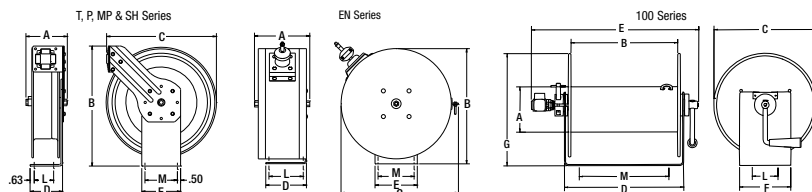
LESS HOSE							SIZE INDEX
MODEL	I.D.	O.D.	FT.	PSI	APPR. LBS.		
<b>ENL-N-335-SS</b>	3/8"	21/32"	35	300	46	<b>5</b>	
<b>ENL-N-350-SS</b>	3/8"	21/32"	50	300	58	<b>6</b>	
<b>ENL-N-450-SS</b>	1/2"	1/2"	50	300	61	<b>6</b>	

### 100 SERIES - Hand Crank

LESS HOSE							SIZE INDEX
MODEL	I.D.	O.D.	FT.	PSI	APPR. LBS.		
<b>112-4-75-SS</b>	1/2"	7/8"	75	4000	21	<b>9</b>	
<b>117-4-225-SS</b>	1/2"	7/8"	225	4000	31	<b>10</b>	
<b>117-5-100-SS</b>	3/4"	1 1/4"	100	4000	36	<b>11</b>	

### REEL DIMENSIONS Technical Data Sheets Available On Website

SIZE INDEX	A	B	C	D	E	F	G	MOUNT L-M
<b>1</b>	6 1/8"	18 1/4"	17 1/4"	6"	6"	-	-	4" - 5"
<b>2</b>	7"	18 1/4"	17 1/4"	6"	6"	-	-	4" - 5"
<b>3</b>	8 3/4"	21"	19 5/8"	6"	6"	-	-	4" - 5"
<b>4</b>	9 1/4"	21"	19 5/8"	6"	6"	-	-	4" - 5"
<b>5</b>	7"	18 3/4"	18 3/4"	6"	6"	-	-	4" - 5"
<b>6</b>	9 1/4"	21 3/4"	21 3/4"	6"	6"	-	-	4" - 5"
<b>7</b>	9 3/4"	21 3/16"	19 5/8"	8"	9"	-	-	7" - 8"
<b>8</b>	9 3/4"	25 1/2"	23"	8"	9"	-	-	7" - 8"
<b>9</b>	5 1/2"	12 1/2"	12"	14"	23 1/4"	6"	13"	3" - 10"
<b>10</b>	5 1/2"	12 1/2"	17"	14"	23 1/4"	6"	18"	3" - 10"
<b>11</b>	5 1/2"	12 1/2"	17"	14"	23 3/4"	6"	18"	3" - 10"



### AVAILABLE OPTIONS

**MOUNTING BRACKETS**  
ENHANCE PERFORMANCE  
EASIER INSTALLATION  
WALL, FLOOR & CEILING  
MANY STYLES AVAILABLE  
*See Page 34 For Selection*



Toll Free 800-COX-REEL • Fax 800-229-REEL • Int 480-820-6396 • Fax 480-820-5132 • [www.coxreels.com](http://www.coxreels.com)



**SPARKLES  
INSIDE & OUT!**

### P, SH, & MP SERIES Offers...

- Hose I.D.:** 3/8" - 3/4" **Pressure:** To 3,000 PSI
- ✓ High Quality Electro-Polished Stainless Steel Construction
  - ✓ Non-Corrosive Stainless Steel Fluid Path Featuring Stainless Steel Swivel With Non-Toxic Grease
  - ✓ See Page 6 For P Series Spring Driven Features

### T SERIES Offers...

- Hose I.D.:** 1/2" - 3/4" **Pressure:** To 300 PSI
- ✓ High Quality Electro-Polished Stainless Steel Construction
  - ✓ Non-Corrosive Stainless Steel Fluid Path Featuring Stainless Steel Swivel With Non-Toxic Grease
  - ✓ See Page 8 For T Series Spring Driven Features

### EN SERIES Offers...

- Hose I.D.:** 3/8" - 1/2" **Pressure:** To 300 PSI
- ✓ High Quality Electro-Polished Stainless Steel Construction
  - ✓ Non-Corrosive Stainless Steel Fluid Path Featuring Stainless Steel Swivel With Non-Toxic Grease
  - ✓ See Page 10 For EN Series Spring Driven Features

### 100 SERIES Offers...

- Hose I.D.:** 1/2" - 3/4" **Pressure:** To 4,000 PSI
- ✓ High Quality Electro-Polished Stainless Steel Construction
  - ✓ Non-Corrosive Stainless Steel Fluid Path Featuring Stainless Steel Swivel With Non-Toxic Grease
  - ✓ See Page 27 For 100 Series Spring Driven Features

### COXREELS® SIGNATURE FEATURES:

- ✓ Professional Grade Heavy Duty Stainless Steel Construction
- ✓ Rolled Edges & Ribbed Discs Provide Strength & Safety
- ✓ Leading 2-Year Manufacturer's Limited Warranty
- ✓ Made In The U.S.A. Sold & Supported Worldwide

**HOW TO ORDER?**  
See Page 5 For Details

**NEED SPECIAL O-RINGS**  
See Page 35 For Details



# Spring Driven Welding Hose Reels

AVAILABLE IN: **SPRING DRIVEN**

**EZ-COIL®**

## P-W & SHW SERIES

**COXREELS® P-W and SHW spring driven "Welding" hose reels are the ideal solution for managing bulky twin line welding hose.** The P-W Series, like the P Series, is more compact in size and shares the reputation for long lasting performance. The SHW Series has a larger chassis and frame to accommodate longer lengths of welding hose and Coxreels' original Super Hub dual axle support system for increased stability during operation, less vibration and greater structural integrity.

**OXYGEN-ACETYLENE DUAL HOSE REELS** Hose supplied on reel is twin-siemese type meeting R.M.A. and C.G.A. type V.D. grade R specifications. Use of other types of hose is not recommended. **Note: Do Not Exceed Listed Hose O.D. To Obtain Max. Length.**

HOSE						LESS HOSE		SIZE INDEX
MODEL	I.D.	O.D.	FT.	PSI	APRX. LBS.	MODEL	APRX. LBS.	
P-W-125	1/4"	17/32"	25	200	46	P-WL-125 <sup>†</sup>	39	1
P-W-135	1/4"	17/32"	35	200	48	P-WL-135 <sup>†</sup>	40	1
P-W-140	1/4"	17/32"	40	200	51	P-WL-140 <sup>†</sup>	42	1
SHW-N-150	1/4"	17/32"	50	200	64	SHWL-N-150 <sup>†</sup>	52	2
SHW-N-160	1/4"	17/32"	60	200	76	SHWL-N-160 <sup>†</sup>	61	3
SHW-N-175	1/4"	17/32"	75	200	80	SHWL-N-175	63	3
SHW-N-1100	1/4"	17/32"	100	200	84	SHWL-N-1100	62	3

**DUAL FUEL GAS HOSE REELS** Hose supplied on reel is twin-siemese type grade "T." Grade "T" reels and hoses are used for a wide variety of gases, such as MAPP, propane, natural and fuel. **Note: Do Not Exceed Listed Hose O.D. To Obtain Max. Length.**

HOSE						LESS HOSE		SIZE INDEX
MODEL	I.D.	O.D.	FT.	PSI	APRX. LBS.	MODEL	APRX. LBS.	
P-WT-125	1/4"	17/32"	25	200	46	P-WTL-125 <sup>†</sup>	39	1
SHWT-N-150	1/4"	17/32"	50	200	64	SHWTL-N-150 <sup>†</sup>	52	2
SHWT-N-175	1/4"	17/32"	75	200	80	SHWTL-N-175 <sup>†</sup>	63	3
SHWT-N-1100	1/4"	17/32"	100	200	84	SHWTL-N-1100	62	3

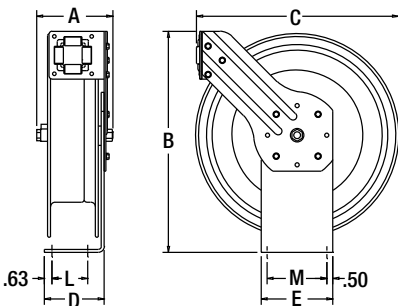


**BRASS NPT SWIVEL INLET MACHINED FROM SOLID** - Designed for simultaneously conveying two gases, ported for safety, double "o" ring sealed design prevents leakage.

### REEL DIMENSIONS

Technical Data Sheets Available On Website

SIZE INDEX	A	B	C	D	E	MOUNT L-M
1	8 1/2"	18 1/4"	17 1/4"	6"	6"	4" - 5"
2	10 7/8"	21"	19 5/8"	6"	6"	4" - 5"
3	10 7/8"	25 1/4"	23"	6"	6"	4" - 5"



**TAME YOUR TWIN-LINE!**

Dual Ported Swivel For One-Sided Connection

Swivel Lock Bracket Ensures Maximum Safety

UL Listed †

### P-W & SHW SERIES Offers...

- Hose I.D.:** 1/4" - Twin **Pressure:** To 200 PSI
- ✓ Designed For Oxy-Acetylene Or "T" Grade Welding Hose
  - ✓ Dual Ported Swivel Offers Both Connections From The Same Side Of The Reel
  - ✓ Applications Include: MAPP Gas, Propane, & Natural Gas
  - ✓ "Super Hub" Dual Axle Support On Models With Size Index #2 & #3
  - ✓ Swivel Lock Bracket Ensures Maximum Safety
  - ✓ Swivel Seals: Viton

### SPRING DRIVEN FEATURES:

- ✓ Auto Rewind Easily Wraps, Stores & Protects Hose
- ✓ Heavy Gauge Steel Base & Support Post
- ✓ Factory-Matched Cartridge-Style Spring Motor
- ✓ 1" Solid Steel Axle with 1" Lubricated Precision Bearings
- ✓ Guide Arm Adjusts To Wall, Floor & Overhead Positions
- ✓ Non-Sparking Ratchet Secures Hose At Desired Length
- ✓ Non-Corrosive Stainless Steel Spring, Pawl & Zinc Plated Ratchet

### COXREELS® SIGNATURE FEATURES:

- ✓ Professional Grade Heavy Duty Steel Construction
- ✓ Durable Proprietary CPC™ Powder Coat Process
- ✓ Rolled Edges & Ribbed Discs Provide Strength & Safety
- ✓ Leading 2-Year Manufacturer's Limited Warranty
- ✓ Made In The U.S.A. Sold & Supported Worldwide

**HOW TO ORDER?**  
See Page 5 For Details

### AVAILABLE OPTIONS

**MOUNTING BRACKETS**  
ENHANCE PERFORMANCE  
EASIER INSTALLATION  
WALL, FLOOR & CEILING  
MANY STYLES AVAILABLE  
See Page 34 For Selection

**UPGRADE TO EZ-COIL®**  
INCREASE OPERATOR SAFETY  
AVOID PERSONAL INJURY  
LONGER REEL LIFE  
See Page 3 For More Details



Toll Free 800-COX-REEL • Fax 800-229-REEL • Int 480-820-6396 • Fax 480-820-5132 • [www.coxreels.com](http://www.coxreels.com)





# Large Capacity Welding Reels

AVAILABLE IN: **HAND CRANK**  
**MOTOR DRIVEN**

## 1275W-C & 100W SERIES

**COXREELS® 1275W Series** hand crank or motorized "Welding" hose reels are built to manage long lengths of bulky twin line welding hose. The direct bevel gear drive, low profile outlet riser and open drum slot design are features greatly appreciated by the regular user. Dual brass swivel inlets on each side of the reel assure full flow trouble free performance.

**COXREELS® 100W Series** "Welding" hand crank hose reels are lightweight, compact and versatile. Save time and effort while increasing the safety of your work environment. The sturdy "U" shaped frame and all steel construction make this one tough little reel. All listed models are supplied less hose.

**WELDED FRAMES?  
BOLTED FRAMES?  
WE KNOW**

Sturdy All Welded "A" Frame Base



1275W-C Series, Shown With Optional Rollers

100W Series

### 1275W-C SERIES

HOSE						LESS HOSE		SIZE INDEX
MODEL	I.D.	O.D.	FT.	PSI	APRX. LBS.	MODEL	APRX. LBS.	
1275W-3-100-C	3/8"	2/3"	100	200	73	1275WL-3-100-C	45	1
1275W-3-150-C	3/8"	2/3"	150	200	90	1275WL-3-150-C	48	2
1275W-3-250-C	3/8"	2/3"	250	200	126	1275WL-3-250-C	56	3
-	-	-	-	-	-	1275WL-3-350-C	64	4

### 100W SERIES

HOSE						LESS HOSE		SIZE INDEX
MODEL	I.D.	O.D.	FT.	PSI	APRX. LBS.	MODEL	APRX. LBS.	
112W-1-100	1/4" Twin	17/32" Twin	100	200	37	112WL-1-100	18	5

### 1275W-C MOTOR DRIVEN MODELS

When ordering, suffix the model number with selection below. \*Add on approximate lbs to ship weight.

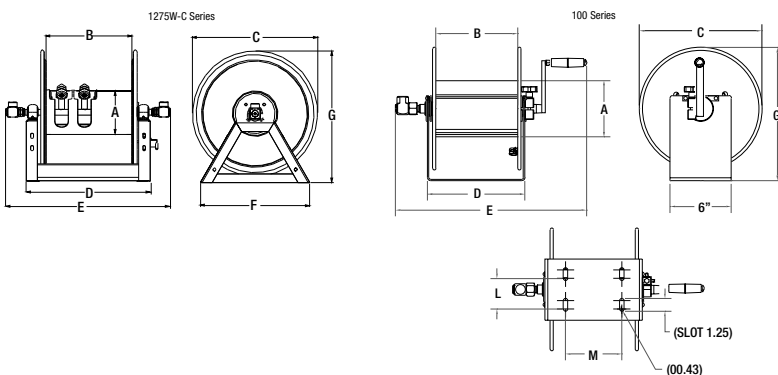
SUFFIX	TYPE	DESCRIPTION	ADD ON APRX. LBS.*
A	AIR - #4 GAST	COMP. AIR MOTOR	8
H	HYDRAULIC	END PORTED 9/16-18 UNF REV.	6
C	CRANK	BEVEL GEAR	3

\*Add 5 lbs to ship weight if reel is crated

### REEL DIMENSIONS

Technical Data Sheets Available On Website

SIZE INDEX	A	B	C	D	E	F	G	L	M
1	6 1/4"	8"	17 1/2"	13 3/8"	19 5/16"	15 1/8"	18 1/8"	-	-
2	6 1/4"	12"	17 1/2"	17 3/8"	23 5/16"	15 1/8"	18 1/8"	-	-
3	6 1/4"	18"	17 1/2"	23 3/8"	29 5/16"	15 1/8"	18 1/8"	-	-
4	6 1/4"	24"	17 1/2"	29 3/8"	35 5/16"	15 1/8"	18 1/8"	-	-
5	5 1/2"	8"	12"	9 1/2"	18 3/4"	-	13"	3"	5 1/2"



### 1275W-C SERIES Offers...

- Hose I.D.: 3/8" Twin Pressure: To 200 PSI
- ✓ Designed For Oxy-Acetylene & "T" Grade Welding Hose
- ✓ Applications Include MAPP Gas, Propane, & Natural Gas
- ✓ Both 3/8" Solid Machined Brass Swivel Inlets With Welding Fittings
- ✓ Bevel Gear Hand Crank With Removable Handle For Compact Storage Or Bevel Gear Motor Driven Retraction (See Motor Driven Chart)
- ✓ Low Profile Outlet Riser & Open Drum Slot Design
- ✓ Brake Assembly Provides Adjustable Friction To Brake Or Lock The Drum
- ✓ Self-Aligning Pillow Block Bearings Ensure Smooth Rotation
- ✓ Long-Handled Lock Pin Secures Reel When Not In Use

### 100W SERIES Offers...

- Hose I.D.: 1/4" Twin Pressure: To 200 PSI
- ✓ Light Weight Compact Design
- ✓ Direct Hand Crank Action
- ✓ Dual Ported Brass Swivel Is Machined From Solid & Offers Both Connections From The Same Side Of Reel
- ✓ Brake Assembly Provides Adjustable Friction To Brake Or Lock The Drum
- ✓ Composite Bearings For Smooth Rotation
- ✓ Designed For 100 Feet Of 1/4" Twin Line R-Grade Oxy-Acetylene Welding Hose
- ✓ 9/16" - 18 UNF Welding Hose Fittings

### COXREELS® SIGNATURE FEATURES:

- ✓ Professional Grade Heavy Duty Steel Construction
- ✓ Durable Proprietary CPC™ Powder Coat Process
- ✓ Rolled Edges & Ribbed Discs Provide Strength & Safety
- ✓ Leading 2-Year Manufacturer's Limited Warranty
- ✓ Made In The U.S.A. Sold & Supported Worldwide

**HOW TO ORDER?**

See Page 5 For Details

### AVAILABLE OPTIONS

#### ROLLER BRACKETS



IMPROVE HOSE HANDLING FROM ANY DIRECTION  
MANY STYLES AVAILABLE  
See Page 34 For Selection

#### SWITCHES & SPEED CONTROLLERS



ADJUST & SET REWIND SPEED CONVENIENT ON/OFF CONTROL REVERSE/FORWARD CAP.  
MANY STYLES AVAILABLE  
See Page 34 For Details



Toll Free 800-COX-REEL • Fax 800-229-REEL • Int 480-820-6396 • Fax 480-820-5132 • [www.coxreels.com](http://www.coxreels.com)



# Spring Driven Cable Reels

AVAILABLE IN: **SPRING DRIVEN**  
**ELECTRIC**

## P-WC SERIES

**COXREELS® P-WC Series** spring driven "Welding Cable" reels protect and extend the life of your welding cable by neatly and conveniently storing it on a 25, 35 or 50 foot self-retracting welding cable reel. They are the solution for keeping your work area safe, organized and efficient.

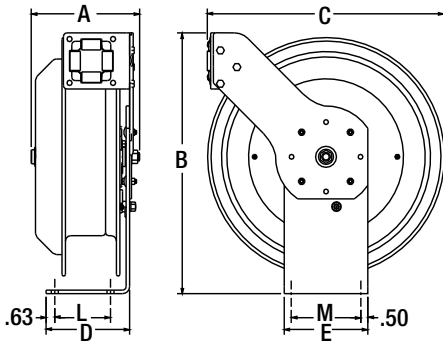
**P-WC WELDING CABLE REEL** Protect & extend the life of your welding cable while keeping your work area and vehicles clean & organized. **Caution: When using reel for extended periods of time unwind all cable to prevent heat build up.**

CABLE						LESS CABLE		SIZE INDEX
MODEL	FT.	TYPE	VOLT.	AMPS.	APPR. LBS.	MODEL	APPR. LBS.	
P-WC13-3506	35	6GA	600	75	31	P-WC13L-3506	26	1
P-WC13-5006	50	6GA	600	75	35	P-WC13L-5006	28	1
P-WC13-3504	35	4GA	600	150	34	P-WC13L-3504	26	1
P-WC13-5004	50	4GA	600	150	39	P-WC13L-5004	28	1
P-WC13-3502	35	2GA	600	225	36	P-WC13L-3502	26	1
P-WC17-5002	50	2GA	600	225	56	P-WC17L-5002	42	2
P-WC13-2501	25	1GA	600	300	35	P-WC13L-2501	26	1
P-WC17-5001	50	1GA	600	300	60	P-WC17L-5001	42	2
P-WC13-2510	25	1/0	600	350	37	P-WC13L-2510	26	1
P-WC17-5010	50	1/0	600	350	64	P-WC17L-5010	42	2
P-WC17-3520	35	2/0	600	450	60	P-WC17L-3520	42	2
P-WC17-5020	50	2/0	600	450	68	P-WC17L-5020	42	2

### REEL DIMENSIONS

Technical Data Sheets Available On Website

SIZE INDEX	A	B	C	D	E	MOUNT L-M
1	8½"	14½"	13¾"	5"	6"	3" - 5"
2	11"	18¼"	17¼"	6"	6"	4" - 5"



### P-WC SERIES Offers...

- Gauge:** 6, 4, 2, 1, 1/0, 2/0
- ✓ Designed For Electrode & Grounding Lead Applications
  - ✓ Each Lead Requires An Individual Reel
  - ✓ Component Cover Easily Removed For Slip Ring Maintenance
  - ✓ Cable Stop Included With Cable Option
  - ✓ Electrical Current Runs Through A 450 Amp Rated Slip Ring
  - ✓ Non-Corrosive 1/4" Zinc-Plated Steel Lock Ring With Stainless Steel Lock Dog & Pawl
  - ✓ Guide Arm Adjusts To Wall, Floor & Overhead Positions
  - ✓ Welding Cable Clamp Available See Below

### WELDING CABLE CLAMP Offers...

- ✓ Electrode holder - #7685 features a six-position jaw pattern and has fully insulated, protected springs.



### COXREELS® SIGNATURE FEATURES:

- ✓ Professional Grade Heavy Duty Steel Construction
- ✓ Durable Proprietary CPC™ Powder Coat Process
- ✓ Rolled Edges & Ribbed Discs Provide Strength & Safety
- ✓ Leading 2-Year Manufacturer's Limited Warranty
- ✓ Made In The U.S.A. Sold & Supported Worldwide

**HOW TO ORDER?**  
See Page 5 For Details

### AVAILABLE OPTIONS



Toll Free 800-COX-REEL • Fax 800-229-REEL • Int 480-820-6396 • Fax 480-820-5132 • [www.coxreels.com](http://www.coxreels.com)



# Large Capacity Welding Reels

AVAILABLE IN: **ELECTRIC**  
**MOTOR DRIVEN**  
**HAND CRANK**

## 1125WCL SERIES

Coxreels' 1125WCL Series hand crank or motorized "Welding Cable" reels are perfect for organizing and managing long lengths of welding cable. Save time and effort as you extend the life of your expensive welding cable investment. All electrical components are set inside the drum offering a special narrow width. A stacking bracket is available to create a lead/ground combination in one organized unit.



1125 Series - Electrical Components Are Secured Inside The Drum Afford A Compact, Narrow Width. The Cover Is Easily Removable For Field Servicing

### 1125WCL SERIES

MODEL	LESS CABLE				APRX. LBS.	SIZE INDEX
	#2	#1	#1/0	#2/0		
1125WCL-6-C	300 ft	250 ft	200 ft	150 ft	38	1
1125WCL-12-C	600 ft	500 ft	400 ft	300 ft	45	2



### MOTOR DRIVEN MODELS

When ordering, suffix the model number with selection below. \*Add on approximate lbs to ship weight.

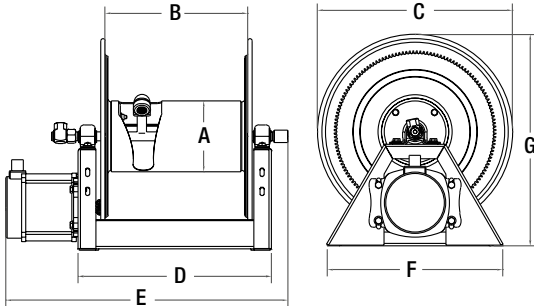
SUFFIX	TYPE	DESCRIPTION	ADD ON APRX. LBS.*
A	AIR - #4 GAST	COMP. AIR MOTOR	8
EB	ELEC. - 24V DC	1/2 HP REV. REV. TYPE	26
ED	ELEC. - EXPL. PRF.	1/2 HP REV. REV. TYPE	26
EA	ELEC. - EXPL. PRF.	115V 1/2 HP REV., AC REV. TYPE	26
H	HYDRAULIC	END PORTED 9/16-18 UNF REV.	6
C	CRANK	BEVEL GEAR	3

\*Add 5 lbs to ship weight if reel is crated

### REEL DIMENSIONS

Technical Data Sheets Available On Website

SIZE INDEX	A	B	C	D	E	F	G
1	8"	6"	17 1/2"	11 3/8"	21 3/4"	15 1/8"	18 1/8"
2	8"	12"	17 1/2"	17 3/8"	27 3/4"	15 1/8"	18 1/8"



CATALOG #CMC06 ©Copyright 2006 COXREELS

### 1125WCL SERIES Offers...

- Gauge: 2, 1, 1/0, 2/0
- ✓ Narrow Width Allows For Easy Installation In Restricted Spaces
- ✓ Permanently Lubricated Pillow Block Bearings Assure Smooth Rotation
- ✓ Sturdy All Welded A Frame Design
- ✓ Direct Hand Crank Action
- ✓ Long-Handled Lock Pin Secures Reel When Not In Use
- ✓ Designed For Electrode & Grounding Lead Applications
- ✓ Each Lead Requires An Individual Reel
- ✓ Available In Air, Hydraulic, & Electric Motor Rewind
- ✓ Electrical Current Runs Through A 450 Amp Rated Slip Ring
- ✓ Brake Assembly With Adjustable Friction To Brake Or Lock The Drum
- ✓ Welding Cable Clamp Available, See Illustration

### STACKING BRACKET OFFERS...



- ✓ Stacking Bracket Available For Work & Electrode Lead Combos. Powder Coated Crinkle Black, Steel Construction. Weight 6 lbs.
- #7480-6 Use with 1125WCL-6-C or
- #7480-12 Use with 1125WCL-12-C

### WELDING CABLE CLAMP OFFERS...

- ✓ Electrode holder - #7685 features a six-position jaw pattern and has fully insulated, protected springs.



### COXREELS® SIGNATURE FEATURES:

- ✓ Professional Grade Heavy Duty Steel Construction
- ✓ Durable Proprietary CPC™ Powder Coat Process
- ✓ Rolled Edges & Ribbed Discs Provide Strength & Safety
- ✓ Leading 2-Year Manufacturer's Limited Warranty
- ✓ Made In The U.S.A. Sold & Supported Worldwide

**HOW TO ORDER?**  
See Page 5 For Details

### AVAILABLE OPTIONS

#### ROLLER BRACKETS



IMPROVE HOSE HANDLING FROM ANY DIRECTION  
MANY STYLES AVAILABLE  
See Page 34 For Selection

#### SWITCHES & SPEED CONTROLLERS



ADJUST & SET REWIND SPEED  
CONVENIENT ON/OFF CONTROL  
REVERSE/FORWARD CAP.  
MANY STYLES AVAILABLE  
See Page 34 For Details



Toll Free 800-COX-REEL • Fax 800-229-REEL • Int 480-820-6396 • Fax 480-820-5132 • [www.coxreels.com](http://www.coxreels.com)



# Static Discharge Cable Reels

AVAILABLE IN: **SPRING DRIVEN**  
**ELECTRIC**

## SD SERIES

**COXREELS® SD Series “Static Discharge” spring driven cable reels are built heavy duty and designed for long lasting performance.** They are specifically design to be used in combustible environments where the static buildup could ignite a spark and subsequent explosion. Static discharge or grounding reels are commonly paired with fuel hose reels found on page 8 and page 22.

### SD STATIC DISCHARGE REELS WITH GALVANIZED CABLE

WITH GALVANIZED CABLE				LESS CABLE & STOP		SIZE INDEX
MODEL	FT.	I.D.	APRX. LBS.	MODEL	APRX. LBS.	
SD-35	35	3/16"	18	-	-	<b>1</b>
SD-50	50	3/16"	20	SDL-50	18	<b>1</b>
SD-75	75	3/16"	31	-	-	<b>2</b>
SD-100	100	3/16"	32	SDL-100	28	<b>2</b>

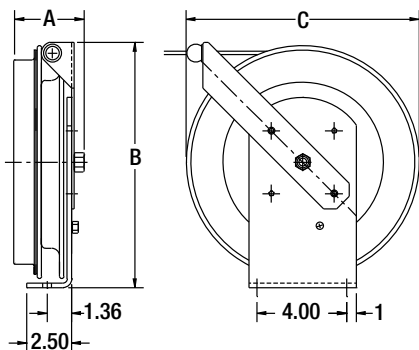
### SD STATIC DISCHARGE REELS WITH STAINLESS STEEL CABLE

WITH STAINLESS STEEL CABLE					SIZE INDEX
MODEL	FT.	I.D.	APRX. LBS.		
SD-35-1	35	3/16"	18		<b>3</b>
SD-50-1	50	3/16"	20		<b>3</b>
SD-75-1	75	3/16"	31		<b>4</b>
SD-100-1	100	3/16"	32		<b>4</b>

\*"Y" branches are available at an additional cost, consult factory.

### REEL DIMENSIONS Technical Data Sheets Available On Website

SIZE INDEX	A	B	C	D	E	MOUNT L-M
<b>1</b>	11"	12"	4"	-	-	-
<b>2</b>	14 1/2"	15"	4"	-	-	-



### SD SERIES Offers...

- Cable Diameter:** 5/32" O.D.
- ✓ 3/32" Dia. 7 Strand x 7 Wire Galvanized Steel Cable
- ✓ 3/32" Dia. 7 Strand x 7 Wire Stainless Steel Cable Supplied On -1 Models
- ✓ High Visibility Orange Vinyl Cable Cover
- ✓ Solid Rubber Cable Stop
- ✓ Includes Cable, Stop & 50 Amp Grounding Clamp (100 Amp Copper Grounding Clamp Available, Consult Factory)
- ✓ Non-Sparking Locking Ratchet Secures Cable At Desired Length
- ✓ Non-Corrosive Stainless Steel Spring, Brass, Pawl & Zinc Plated Ratchet
- ✓ Multi-Position Arm Guide

### COXREELS® SIGNATURE FEATURES:

- ✓ Professional Grade Heavy Duty Steel Construction
- ✓ Durable Proprietary CPC™ Powder Coat Process
- ✓ Rolled Edges & Ribbed Discs Provide Strength & Safety
- ✓ Leading 2-Year Manufacturer's Limited Warranty
- ✓ Made In The U.S.A. Sold & Supported Worldwide

**HOW TO ORDER?**  
See Page 5 For Details

### AVAILABLE OPTIONS

#### UPGRADE TO EZ-COIL®

**INCREASE OPERATOR SAFETY  
AVOID PERSONAL INJURY  
LONGER REEL LIFE**



See Page 3 For More Details



Toll Free 800-COX-REEL • Fax 800-229-REEL • Int 480-820-6396 • Fax 480-820-5132 • [www.coxreels.com](http://www.coxreels.com)



# Side Mount Hose Reels

AVAILABLE IN: **SPRING DRIVEN**  
**EZ-COIL®**

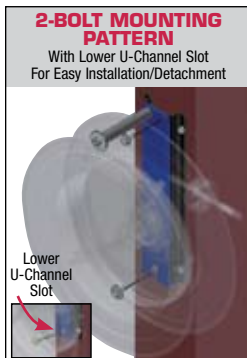
## S SERIES

**COXREELS® S "Safety Series Side Mount" spring driven hose reels are compact, versatile and unique in the way they mount and operate.** They feature a simple two-bolt mounting pattern for easy installation and detachment for multiple workstation applications. The 360° hose direction allows the user to operate the reel from front to back, top to bottom, any direction the job demands. Common applications include air/water service units, tool benches, tool boxes, vertical walls and beams, vehicle lift systems, machine tools, service vehicles, or any flat vertical surface that requires the convenience, safety and efficiency of a hose reel.

**LOW PRESSURE** Models with hose are for air or water service with a maximum temperature 150° F. Models less hose can be used for air, water or oil. **NOTE: Do not exceed listed hose O.D. to obtain maximum length.**

HOSE						LESS HOSE		SIZE INDEX
MODEL	MOUNT	I.D.	FT.	PSI	APRX. LBS.	MODEL	APRX. LBS.	
SR13-L125	Right	1/4"	25	300	18	SR13L-L125	14	1
SL13-L125	Left	1/4"	25	300	18	SL13L-L125	14	1
SR15-L135	Right	1/4"	35	300	23	SR15L-L135	17	2
SL15-L135	Left	1/4"	35	300	23	SL15L-L135	17	2
SR15-L325	Right	3/8"	25	300	23	SR15L-L325	17	2
SL15-L325	Left	3/8"	25	300	23	SL15L-L325	17	2
SR17-L350	Right	3/8"	50	300	32	SR17L-L350	25	3
SL17-L350	Left	3/8"	50	300	34	SL17L-L350	25	3
SR17-L430	Right	1/2"	30	300	34	SR17L-L430	29	3
SL17-L430	Left	1/2"	30	300	34	SL17L-L430	29	3

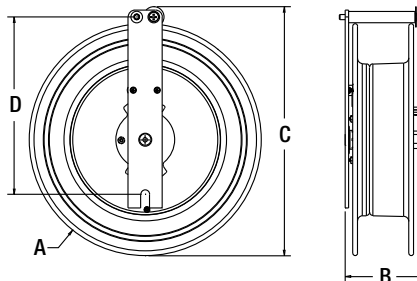
For Non-Locking Constant Tension Add Suffix: -BXC, For Larger Hose I.D. & Longer Lengths Available, Consult Factory.



### REEL DIMENSIONS

Technical Data Sheets Available On Website

SIZE INDEX	A	B	C	D
1	13"	6"	14 1/4"	9 1/4"
2	15 1/4"	6"	16 1/2"	10 1/4"
3	17"	5 3/4"	18 1/4"	13"



### S SERIES Offers...

**Hose I.D.:** 1/4" - 1/2" **Pressure:** To 300 PSI

- ✓ 2-Bolt Mounting Pattern Easily Mounts & Detaches For Multiple Work Station Applications
- ✓ Heavy Gauge Steel Arm Mounts Flat To Any Surface Such As Tool Boxes, Benches, Vehicle Lifts, Beams, etc.
- ✓ 360° Payout Designed For Use From Any Direction
- ✓ Hose Control Bar Is Full Drum Width Preventing Derailment
- ✓ Multi-position Locking Ratchet Secures Hose At Desired Length. Non-locking, Less Ratchet Option Available (Add Suffix -BXC)
- ✓ Models With Hose Include Hose Stop & Protective Spring Guard

### SPRING DRIVEN FEATURES:

- ✓ Auto Rewind Easily Wraps, Stores & Protects Hose
- ✓ Factory-Matched Cartridge-Style Spring Motor
- ✓ Brass NPT Swivel, Machined From Solid With Stainless Steel Stud For Non-Corrosive Strength & Performance
- ✓ Protective Spring Guard Prevents Hose From Rubbing & Wearing

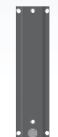
### MOUNT BRACKETS



#### DUAL SIDE MOUNT BRACKET

- ✓ Heavy gauge steel, powder coated crinkle black. Weight: 5 lbs.

#15726-13 For models SR13 & SL13  
#15726-15 For models SR15 & SL15  
#15726-17 For models SR17 & SL17



#### SINGLE SIDE MOUNT BRACKET

- ✓ Heavy gauge steel, powder coated crinkle black. Weight: 2 lbs.

#SMB1 For models SR13, SL13, SR15, SL15  
#SMB2 For models SR17 & SL17

### COXREELS® SIGNATURE FEATURES:

- ✓ Professional Grade Heavy Duty Steel Construction
- ✓ Durable Proprietary CPC™ Powder Coat Process
- ✓ Rolled Edges & Ribbed Discs Provide Strength & Safety
- ✓ Leading 2-Year Manufacturer's Limited Warranty
- ✓ Made In The U.S.A. Sold & Supported Worldwide

### AVAILABLE OPTIONS

#### UPGRADE TO EZ-COIL®

**INCREASE OPERATOR SAFETY**  
**AVOID PERSONAL INJURY**  
**LONGER REEL LIFE**



See Page 3 For More Details

#### HOSE UPGRADE

**PROTECTION FROM THE ELEMENTS**  
**EXTENDED HOSE LIFE**  
**APPLICATION SPECIFIC**



See Page 33 For More Details

#### STAINLESS STEEL

**SWIVELS & PLUMBING**  
**FOR PURE PRODUCT FLOW**  
**APPLICATIONS**



Consult Factory For Details

**HOW TO ORDER?**  
See Page 5 For Details

**NEED SPECIAL O-RINGS**  
See Page 35 For Details



Toll Free 800-COX-REEL • Fax 800-229-REEL • Int 480-820-6396 • Fax 480-820-5132 • [www.coxreels.com](http://www.coxreels.com)



# High Capacity Hose Reels

AVAILABLE IN: **SPRING DRIVEN**

## SP SERIES

**COXREELS® SP Series “Single Product Delivery” spring driven hose reels are built to handle large hose diameters.** Used in applications demanding large volume delivery in low and medium pressures such as fuel and water. The sturdy box-style frame has heavy duty steel cross supports to all four corners for extra strength and rigidity.

**LOW PRESSURE** Two braid hose for applications 250 to 300 psi and temperatures to 150° F. Reel less hose 250° F. For higher temperatures and pressures, see price sheet or consult factory. **NOTE: Do not exceed listed hose O.D. to obtain maximum length.**

HOSE						LESS HOSE			SIZE INDEX
MODEL	I.D.	O.D.	FT.	PSI	INLET/OUTLET N.P.T.	APRX. LBS.	MODEL	APRX. LBS.	
SLP-4100	1/2"	7/8"	100	300	1/2"	111	SLPL-4100	96	<b>1</b>
SLP-550	3/4"	1 1/4"	50	300	3/4"	99	SLPL-550	86	<b>2</b>
SLPF-550*	3/4"	1 1/4"	50	300	3/4"	107	SLPL-550	86	<b>2</b>
SLP-575	3/4"	1 1/4"	75	300	3/4"	136	SLPL-575	117	<b>3</b>
SLP-5100	3/4"	1 1/4"	100	300	3/4"	151	SLPL-5100	126	<b>4</b>
SLP-625	1"	1 7/16"	25	300	1"	106	SLPL-625	90	<b>5</b>
SLP-650	1"	1 7/16"	50	300	1"	139	SLPL-650	109	<b>6</b>
SLPF-650*	1"	1 7/16"	50	300	1"	142	SLPL-650	109	<b>6</b>
SLP-675	1"	1 7/16"	75	300	1"	193	SLPL-675	148	<b>7</b>
Please Consult Factory For Reels With Hose	1 1/4"	1 13/16"	25	250	1 1/2"***	-	SLPL-725	110	<b>8</b>
	1 1/4"	1 13/16"	50	250	1 1/2"***	-	SLPL-750	123	<b>9</b>
	1 1/2"	2 1/16"	25	250	1 1/2"***	-	SLPL-825	107	<b>8</b>
	1 1/2"	2 1/16"	35	250	1 1/2"***	-	SLPL-835	128	<b>9</b>
	1 1/2"	2 1/16"	50	250	1 1/2"***	-	SLPL-850	138	<b>10</b>

\*These models are supplied with fuel hose

\*\*Note: 1/2" inlet/outlet models are supplied standard with straight inline swivel inlet.

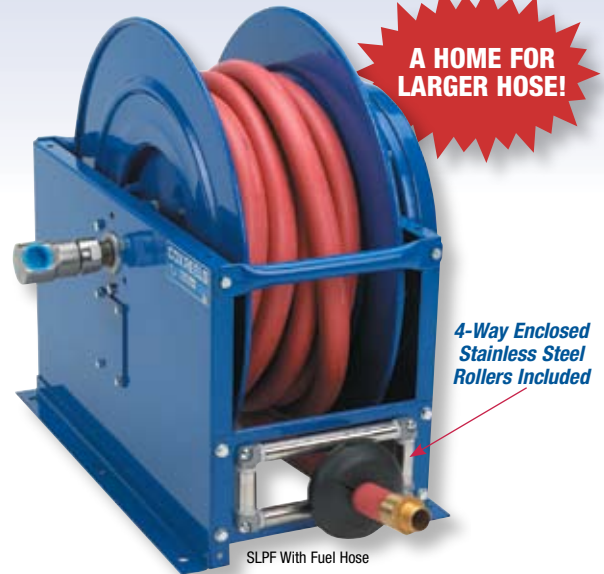
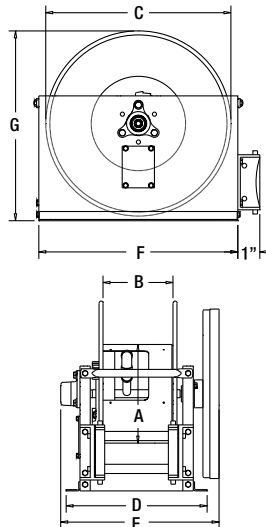
**MEDIUM PRESSURE** 100 RI hose for applications 1500 to 2500 psi and temperatures to 250° F. For higher temperatures and pressures, see price sheet or consult factory. **NOTE: Do not exceed listed hose O.D. to obtain maximum length.**

HOSE						LESS HOSE			SIZE INDEX
MODEL	I.D.	O.D.	FT.	PSI	INLET/OUTLET N.P.T.	APRX. LBS.	MODEL	APRX. LBS.	
SMP-4100	1/2"	29/32"	100	2500	1/2"	139	SMPL-4100	113	<b>1</b>
SMP-550	3/4"	1 3/16"	50	1500	3/4"	109	SMPL-550	89	<b>5</b>
SMP-575	3/4"	1 3/16"	75	1500	3/4"	151	SMPL-575	121	<b>6</b>
SMP-5100	3/4"	1 3/16"	100	1500	3/4"	165	SMPL-5100	126	<b>6</b>
Please Consult Factory For Reels With Hose	1"	1 1/2"	25	2000	1"	-	SMPL-625	92	<b>5</b>
	1"	1 1/2"	50	2000	1"	-	SMPL-650	110	<b>6</b>
	1"	1 1/2"	75	2000	1"	-	SMPL-675	135	<b>9</b>

### REEL DIMENSIONS

Technical Data Sheets Available On Website

SIZE INDEX	A	B	C	D	E	F	G
<b>1</b>	10 1/2"	7 1/2"	20"	15 3/8"	19 1/2"	22 1/2"	20 1/2"
<b>2</b>	10 1/2"	7 1/2"	20"	15 3/8"	19"	22 1/2"	20 1/2"
<b>3</b>	10 1/2"	7 1/2"	24"	15 3/8"	19"	26"	24 1/2"
<b>4</b>	10 1/2"	7 1/2"	24"	15 3/8"	20"	26"	24 1/2"
<b>5</b>	10 1/2"	7 1/2"	20"	15 3/8"	20 1/2"	22 1/2"	20 1/2"
<b>6</b>	10 1/2"	7 1/2"	24"	15 3/8"	21"	26"	24 1/2"
<b>7</b>	10 1/2"	7 1/2"	28"	15 3/8"	21"	30"	28 1/2"
<b>8</b>	10 1/2"	7 1/2"	24"	15 3/8"	18"	26"	24 1/2"
<b>9</b>	10 1/2"	7 1/2"	28"	15 3/8"	18"	30"	28 1/2"
<b>10</b>	10 1/2"	9 1/2"	28"	17 3/8"	20"	30"	28 1/2"



### SP SERIES Offers...

**Hose I.D.:** 1/2" - 1 1/2" **Pressure:** To 2,500 PSI

- ✓ Auto Rewind Easily Wraps, Stores & Protects Hose
- ✓ Reinforced Steel Frame Provides Maximum Strength & Stability
- ✓ Lubricated Factory-Matched Cartridge-Style Spring Motor
- ✓ Long Lasting Self-Lubricated Flange Bearings
- ✓ Cast Iron Lock Ring With Non-Sparking Bronze Pawl
- ✓ Non-Corrosive Stainless Steel Pawl Spring
- ✓ Heavy Duty 1" O.D. Stainless Steel Pinch-Proof Rollers
- ✓ Adjusts To Wall, Floor & Overhead Positions
- ✓ Swivel Seals: NITRILE (AFLAS, On 1" Models)

### SPRING DRIVEN FEATURES:

- ✓ Low Profile Outlet Riser & Open Drum Slot Design
- ✓ Full-Flow Swivel Assures Maximum Product Delivery
- ✓ Multi-Position Lock Ratchet Secures Hose At Desired Length
- ✓ All Working Parts Are Easily Accessible For Servicing

### COXREELS® SIGNATURE FEATURES:

- ✓ Professional Grade Heavy Duty Steel Construction
- ✓ Durable Proprietary CPC™ Powder Coat Process
- ✓ Rolled Edges & Ribbed Discs Provide Strength & Safety
- ✓ Leading 2-Year Manufacturer's Limited Warranty
- ✓ Made In The U.S.A. Sold & Supported Worldwide

**HOW TO ORDER?**  
See Page 5 For Details

**NEED SPECIAL O-RINGS**  
See Page 35 For Details

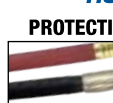
### AVAILABLE OPTIONS

#### ROLLER BRACKETS



**IMPROVE HOSE HANDLING FROM ANY DIRECTION**  
MANY STYLES AVAILABLE  
See Page 34 For Selection

#### HOSE UPGRADE



**PROTECTION FROM THE ELEMENTS**  
EXTENDED HOSE LIFE  
APPLICATION SPECIFIC  
See Page 33 For More Details

#### STAINLESS STEEL



**SWIVELS & PLUMBING FOR PURE PRODUCT FLOW APPLICATIONS**  
Consult Factory For Details



Toll Free 800-COX-REEL • Fax 800-229-REEL • Int 480-820-6396 • Fax 480-820-5132 • [www.coxreels.com](http://www.coxreels.com)



# Dual High Capacity Hose Reels

AVAILABLE IN: **SPRING DRIVEN**

## DP SERIES

**COXREELS® DP Series “Dual Product Delivery” spring driven hose reels have two swivel inlets and two outlets for dual hose applications.** Like the SP Series they are built to handle large hose diameters used in applications demanding large volume delivery in low and medium pressures. The sturdy box-style frame has heavy duty steel cross supports to all four corners for extra strength and rigidity.

**LOW PRESSURE** Two swivel joint inlets and two outlet risers to simultaneously handle equal lengths of two hoses. Hoses can be different diameters, in which case the larger hose diameter determines capacity of the reel. For applications 300 psi and temperatures to 250° F. **NOTE: Do not exceed listed hose O.D. to obtain maximum length.**

MODEL	HOSE						LESS HOSE		SIZE INDEX
	I.D.	O.D.	FT.	PSI	INLET/OUTLET N.P.T.	APPR. LBS.	MODEL	APPR. LBS.	
Please Consult Factory For Reels With Hose	3/8"	3/4"	50	300	1/2"	-	<b>DLPL-350</b>	94	<b>1</b>
	3/8"	3/4"	75	300	1/2"	-	<b>DLPL-375</b>	115	<b>1</b>
	3/8"	3/4"	100	300	1/2"	-	<b>DLPL-3100</b>	117	<b>2</b>
	1/2"	7/8"	50	300	1/2"	-	<b>DLPL-450</b>	97	<b>1</b>
	1/2"	7/8"	75	300	1/2"	-	<b>DLPL-475</b>	104	<b>2</b>
	1/2"	7/8"	100	300	1/2"	-	<b>DLPL-4100</b>	138	<b>3</b>
	3/4"	1 1/4"	25	300	3/4"	-	<b>DLPL-525</b>	93	<b>4</b>
	3/4"	1 1/4"	50	300	3/4"	-	<b>DLPL-550</b>	100	<b>5</b>

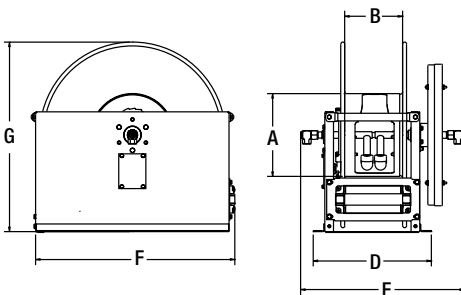
**MEDIUM PRESSURE** Two swivel joint inlets and two outlet risers to simultaneously handle equal lengths of two hoses. Hoses can be different diameters, in which case the larger hose diameter determines capacity of the reel. For applications 3000 psi and temperatures to 250° F. For higher temperatures and pressures, see price sheet or consult factory. **NOTE: Do not exceed listed hose O.D. to obtain maximum length.**

MODEL	HOSE						LESS HOSE		SIZE INDEX
	I.D.	O.D.	FT.	PSI	INLET/OUTLET N.P.T.	APPR. LBS.	MODEL	APPR. LBS.	
Please Consult Factory For Reels With Hose	3/8"	25/32"	50	3000	1/2"	-	<b>DMPL-350</b>	99	<b>1</b>
	3/8"	25/32"	75	3000	1/2"	-	<b>DMPL-375</b>	128	<b>1</b>
	3/8"	25/32"	100	3000	1/2"	-	<b>DMPL-3100</b>	120	<b>2</b>
	1/2"	29/32"	50	3000	1/2"	-	<b>DMPL-450</b>	102	<b>1</b>
	1/2"	29/32"	75	3000	1/2"	-	<b>DMPL-475</b>	115	<b>2</b>
	1/2"	29/32"	100	3000	1/2"	-	<b>DMPL-4100</b>	138	<b>3</b>

### REEL DIMENSIONS

Technical Data Sheets Available On Website

SIZE INDEX	A	B	C	D	E	F	G
<b>1</b>	10 1/2"	7 1/2"	20"	15 3/8"	22"	22 1/2"	20 1/2"
<b>2</b>	10 1/2"	7 1/2"	24"	15 3/8"	22 1/2"	26"	24 1/2"
<b>3</b>	10 1/2"	7 1/2"	28"	15 3/8"	22 1/2"	30"	28 1/2"
<b>4</b>	10 1/2"	7 1/2"	20"	15 3/8"	23 3/4"	22 1/2"	20 1/2"
<b>5</b>	10 1/2"	7 1/2"	24"	15 3/8"	23 3/4"	26"	24 1/2"



**A DUPLEX FOR YOUR HOSE!**

### DP SERIES Offers...

- Hose I.D:** 3/8" - 3/4" **Pressure:** To 3,000 PSI
- ✓ Two Inlets & Two Outlets To Handle Dual Hose Applications
  - ✓ Auto Rewind Easily Wraps, Stores & Protects Hose
  - ✓ Reinforced Steel Frame Provides Maximum Strength & Stability
  - ✓ Long Lasting Self-Lubricated Flange Bearings
  - ✓ Cast Iron Lock Ring With Non-Sparking Bronze Pawl
  - ✓ Non-Corrosive Stainless Steel Pawl Spring
  - ✓ Heavy Duty 1" O.D. Stainless Steel Pinch-Proof Rollers
  - ✓ Adjusts To Wall, Floor & Overhead Positions
  - ✓ Swivel Seals: NITRILE

### SPRING DRIVEN FEATURES:

- ✓ Low Profile Outlet Riser & Open Drum Slot Design
- ✓ Lubricated Factory-Matched Cartridge-Style Spring Motor
- ✓ Full-Flow Swivel Assures Maximum Product Delivery
- ✓ Multi-Position Lock Ratchet Secures Hose At Desired Length
- ✓ All Working Parts Are Easily Accessible For Servicing

### COXREELS® SIGNATURE FEATURES:

- ✓ Professional Grade Heavy Duty Steel Construction
- ✓ Durable Proprietary CPC™ Powder Coat Process
- ✓ Rolled Edges & Ribbed Discs Provide Strength & Safety
- ✓ Leading 2-Year Manufacturer's Limited Warranty
- ✓ Made In The U.S.A. Sold & Supported Worldwide

**HOW TO ORDER?**  
See Page 5 For Details

**NEED SPECIAL O-RINGS**  
See Page 35 For Details

### AVAILABLE OPTIONS

#### ROLLER BRACKETS



**IMPROVE HOSE HANDLING FROM ANY DIRECTION**  
MANY STYLES AVAILABLE  
See Page 34 For Selection

#### STAINLESS STEEL



**SWIVELS & PLUMBING FOR PURE PRODUCT FLOW APPLICATIONS**  
Consult Factory For Details



Toll Free 800-COX-REEL • Fax 800-229-REEL • Int 480-820-6396 • Fax 480-820-5132 • [www.coxreels.com](http://www.coxreels.com)



# Dual Hydraulic Hose Reels

AVAILABLE IN: **SPRING DRIVEN**  
**HAND CRANK**  
**MOTOR DRIVEN**

## MPD, TDMP & 1275HP SERIES

**COXREELS®** MPD, TDMP and 1275HP Series "Dual Hydraulic" hose reels have similar features to their related series, but have been redesigned to handle dual hydraulic applications. Choose between spring driven retraction at 3,000 PSI to 50 feet and hand crank or motorized models at 10,000 PSI to 200 feet.

**MPD SERIES** Medium pressure reels are furnished standard with dual-hydraulic hose banded together every 2-3 feet with power strip-type clamps. Maximum temperature 250° F.

HOSE						LESS HOSE		SIZE INDEX
MODEL	I.D.	O.D.	FT.	PSI	APRX. LBS.	MODEL	APRX. LBS.	
N/A	-	-	-	-	-	MPDL-N-150	62	1
MPD-N-330	3/8"	5/8"	30	3000	78	MPDL-N-330	62	1
MPD-N-430	1/2"	3/4"	30	2500	79	MPDL-N-430	62	1

**TDMP SERIES** Medium pressure reels are furnished standard with dual-hydraulic hose banded together every 2-3 feet with power strip-type clamps. Maximum temperature 250° F.

HOSE						LESS HOSE		SIZE INDEX
MODEL	I.D.	O.D.	FT.	PSI	APRX. LBS.	MODEL	APRX. LBS.	
TDMP-N-350	3/8"	5/8"	50	3000	104	TDMP-L-N-350	79	2
TDMP-N-450	1/2"	3/4"	50	2500	106	TDMP-L-N-450	79	2

**1275HP SERIES** 10,000 psi - two 1/4" 90° inlets. These reels are an essential component to operate hydraulic tools requiring 10,000 psi can be easily managed safely for efficient use in emergency situations.

MODEL	DESCRIPTION	LESS HOSE				SIZE INDEX
		CAPACITY 1/4" I.D.	CAPACITY 3/8" I.D.	PSI	APRX. LBS.	
1275HPL-X-8	Rim Rewind	135'	85'	10,000	37	3
1275HPL-X-8-C	Geared Crank	135'	85'	10,000	43	4
1275HPL-X-8-A	Air Motor	135'	85'	10,000	50	5
1275HPL-X-8-E	Electric Motor	135'	85'	10,000	68	6
1275HPL-X-12	Rim Rewind	200'	125'	10,000	39	7
1275HPL-X-12-C	Geared Crank	200'	125'	10,000	45	8
1275HPL-X-12-A	Air Motor	200'	125'	10,000	52	9
1275HPL-X-12-E	Electric Motor	200'	125'	10,000	70	10

For available motor options see page 32

### 1275HP OUTLET OPTIONS

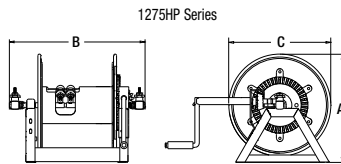
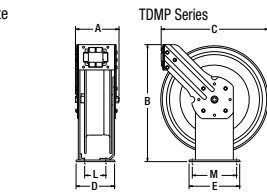
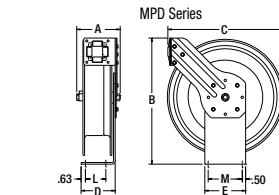
Replace "X" in Model Number With One Of The Following:

- A** = -4 JIC Male
- B** = -5 JIC Male With 1 1/2" x 3/8" Reducer
- C** = 1/4" BSP Female
- D** = M14 X 1.5 Female
- 4** = 1/2" NPT Female (Std. - No Adapter)

### REEL DIMENSIONS

Technical Data Sheets Available On Website

SIZE INDEX	A	B	C	D	E	MOUNT L-M
1	11 3/4"	21"	19 5/8"	6"	6"	4" - 5"
2	10 3/4"	25 1/2"	23"	8"	9"	7" - 8"
3	18 1/8"	18 3/8"	17"	-	-	-
4	18 1/8"	18 3/8"	17"	-	-	-
5	18 1/8"	20 1/2"	17"	-	-	-
6	18 1/8"	22 3/8"	17"	-	-	-
7	18 1/8"	22 3/4"	17"	-	-	-
8	18 1/8"	22 3/4"	17"	-	-	-
9	18 1/8"	24 1/2"	17"	-	-	-
10	18 1/8"	26 3/8"	17"	-	-	-



**GOT A HIGH PRESSURE JOB?**

### MPD SERIES Offers...

- Hose I.D.:** 1/4" - 1/2" **Pressure:** To 3,000 PSI
- ✓ Dual Port Full Flow Swivel
  - ✓ One-Sided Supply/Return Hookup
  - ✓ Swivel Seals: TEFLON™
  - ✓ See Page 7 For Spring Driven Features

### TDMP SERIES Offers...

- Hose I.D.:** 3/8" - 1/2" **Pressure:** To 3,000 PSI
- ✓ Dual Port Full Flow Swivel
  - ✓ One-Sided Supply/Return Hookup
  - ✓ Swivel Seals: TEFLON™
  - ✓ See Page 8 For Spring Driven Features

### 1275HP SERIES Offers...

- Hose I.D.:** 1/4" & 3/8" **Pressure:** To 10,000 PSI
- ✓ Designed For Dual Hydraulic Emergency Rescue Systems And Other High Pressure Hydraulic Tools
  - ✓ Two High Pressure Full Flow Melanized Steel 1/4" Swivel Inlets
  - ✓ Two Outlet Risers (Must Specify, See Options Below)
  - ✓ Geared Hand Crank, Rim Rewind & Motor Rewind Options
  - ✓ Positive Gear Drive Rewind
  - ✓ Low Profile Outlet Riser & Open Drum Slot Design
  - ✓ Swivel Seals: VITON

### COXREELS® SIGNATURE FEATURES:

- ✓ Professional Grade Heavy Duty Steel Construction
- ✓ Durable Proprietary CPC™ Powder Coat Process
- ✓ Rolled Edges & Ribbed Discs Provide Strength & Safety
- ✓ Leading 2-Year Manufacturer's Limited Warranty
- ✓ Made In The U.S.A. Sold & Supported Worldwide

### HOW TO ORDER?

See Page 5 For Details

### AVAILABLE OPTIONS

**MOUNTING BRACKETS**  
ENHANCE PERFORMANCE  
EASIER INSTALLATION  
WALL, FLOOR & CEILING  
MANY STYLES AVAILABLE  
See Page 34 For Selection

**ROLLER BRACKETS**  
IMPROVE HOSE  
HANDLING FROM ANY  
DIRECTION  
MANY STYLES AVAILABLE  
See Page 34 For Selection

**SWITCHES & SPEED CONTROLLERS**  
ADJUST & SET REWIND SPEED  
CONVENIENT ON/OFF CONTROL  
REVERSE/FORWARD CAP.  
MANY STYLES AVAILABLE  
See Page 34 For Details



Toll Free 800-COX-REEL • Fax 800-229-REEL • Int 480-820-6396 • Fax 480-820-5132 • [www.coxreels.com](http://www.coxreels.com)





# Vacuum Hose Reels

AVAILABLE IN: **SPRING DRIVEN**

## V SERIES

**COXREELS® V Series** spring driven and hand crank vacuum hose reels are available in both vacuum only and vacuum/pneumatic combinations. Both are designed to extract unwanted fumes, particles and by-products from your work area. The vacuum/pneumatic models have dual plumbing for vacuum extraction while simultaneously powering pneumatic tools such as grinders and sanders in an enclosed efficient system.

### HAND CRANK VACUUM REELS

LESS HOSE								SIZE INDEX
MODEL	DESCRIPTION	VACUUM			AIR		APPR. LBS.	
		INLET	CAP.	VAC.	INLET	CAP.		
V-1175-850	Vacuum Only, Direct Crank	1 1/2" NPT	50	29" Hg	-	-	118	1
V-1175-850-C	Vacuum Only, Front Crank	1 1/2" NPT	50	29" Hg	-	-	121	2
V-1175-850-T	Vacuum Only, Top Crank	1 1/2" NPT	50	29" Hg	-	-	121	2
VA-1175-850*	Vacuum & Air, Rim Crank	1 1/2" NPT	50	29" Hg	1/2" NPT	50	123	3
VA-1175-850-C*	Vacuum & Air, Front Crank	1 1/2" NPT	50	29" Hg	1/2" NPT	50	126	3
VA-1175-850-T*	Vacuum & Air, Top Crank	1 1/2" NPT	50	29" Hg	1/2" NPT	50	126	3

\*VA Models Have Dual Plumbing For Both Vacuum & Air Applications, Pneumatic Swivel Inlet Is Solid Brass 1/2" NPT 300 PSI Swivel

### SPRING REWIND VACUUM REELS

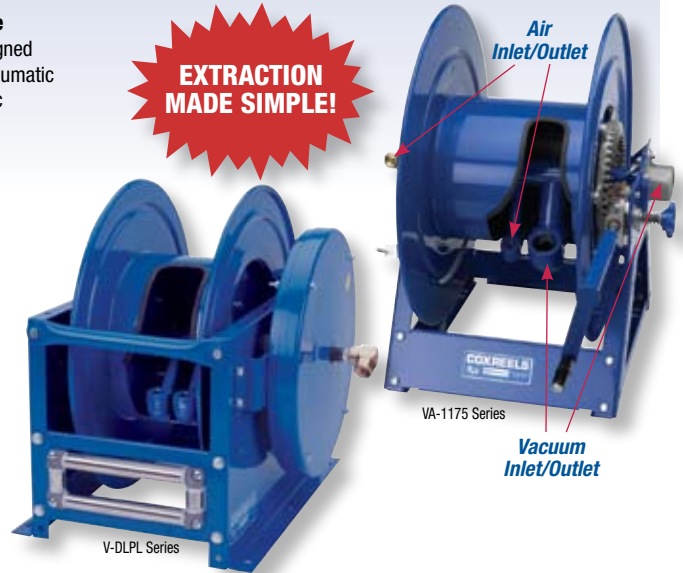
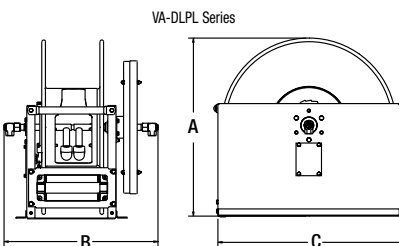
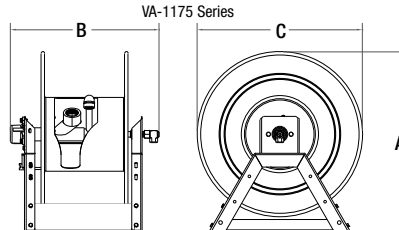
LESS HOSE								SIZE INDEX
MODEL	DESCRIPTION	VACUUM			AIR		APPR. LBS.	
		INLET	CAP.	VAC.	INLET	CAP.		
V-SLPL-825	Vacuum Only, Spring Rewind	1 1/2" NPT	25	29" Hg	-	-	102	4
VA-DLPL-825*	Vacuum & Air, Spring Rewind	1 1/2" NPT	25	29" Hg	1/2" NPT	50	107	5

\*VA Models Have Dual Plumbing For Both Vacuum & Air Applications, Pneumatic Swivel Inlet Is Solid Brass 1/2" NPT 300 PSI Swivel

### REEL DIMENSIONS

Technical Data Sheets Available On Website

SIZE INDEX	A	B	C
1	27"	24 1/16"	24"
2	27"	20 9/16"	24"
3	27"	22 1/16"	24"
4	24 1/2"	18"	28 3/8"
5	24 1/2"	20"	28 3/8"



### V SERIES HAND CRANK Offers...

- Vacuum Hose I.D.: 1 1/2" Vacuum: 29" HG Pneumatic Hose I.D.: 1/2"
- ✓ Direct Bevel Gear Crank Rewind
- ✓ Sturdy All Welded "A" Frame Construction, Double Supported Steel Axle
- ✓ Removable Crank Handle For Compact Storage
- ✓ Low Profile Outlet Riser & Open Drum Slot Design
- ✓ Adjusts To Wall, Floor & Ceiling Mount Positions

### V SERIES SPRING REWIND Offers...

- Vacuum Hose I.D.: 1 1/2" Vacuum: 29" HG Pneumatic Hose I.D.: 1/2"
- ✓ Self-Lubricated Flange Bearings & Multi-Position Lock Ratchet
- ✓ Lubricated Factory-Matched Cartridge-Style Spring Motor
- ✓ Heavy Duty 1" O.D. Non-Corrosive Stainless Steel Rollers
- ✓ Cast Iron Lock Ring Non-Sparking Bronze Pawl
- ✓ Adjusts To Wall, Floor & Ceiling Mount Positions

### COXREELS® SIGNATURE FEATURES:

- ✓ Professional Grade Heavy Duty Steel Construction
- ✓ Durable Proprietary CPC™ Powder Coat Process
- ✓ Rolled Edges & Ribbed Discs Provide Strength & Safety
- ✓ Leading 2-Year Manufacturer's Limited Warranty
- ✓ Made In The U.S.A. Sold & Supported Worldwide

**HOW TO ORDER?**  
See Page 5 For Details

**NEED SPECIAL O-RINGS**  
See Page 35 For Details

### AVAILABLE OPTIONS

#### ROLLER BRACKETS



IMPROVE HOSE HANDLING FROM ANY DIRECTION  
MANY STYLES AVAILABLE  
See Page 34 For Selection



Toll Free 800-COX-REEL • Fax 800-229-REEL • Int 480-820-6396 • Fax 480-820-5132 • [www.coxreels.com](http://www.coxreels.com)



# Compact Swivel Mount Hose Reels

AVAILABLE IN: **HAND CRANK**

## SM SERIES

**COXREELS® SM Series "Swivel Mount" hand crank hose reels swivel on demand in the direction your work takes you and locks in eight different positions as desired.** Like the 100 Series, the SM Series is lightweight, compact and versatile with a working pressure up to 4,000 PSI. The "U" shaped base and hose control bar together add strength and rigidity while keeping the hose from slipping off the side discs. Add the SMK-202 wall mount bracket for fixed wall mounting positions.

### SM SERIES

LESS HOSE						SIZE INDEX
MODEL	I.D.	O.D.	FT.	PSI	APRX. LBS.	
SM12-3-100	3/8"	5/8"	100	4,000	15	1
SM17-3-250	3/8"	5/8"	250	4,000	26	2
SM17-4-125	1/2"	7/8"	125	4,000	26	3

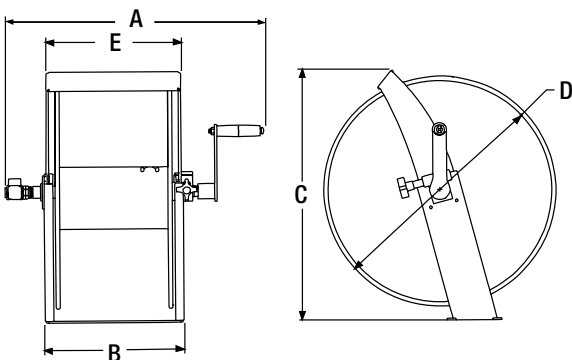
### REEL DIMENSIONS

Technical Data Sheets Available On Website

SIZE INDEX	A	B	C	D	E
1	18 1/4"	10 1/4"	13 1/2"	12"	10"
2	19"	10 1/4"	18 1/2"	17"	10"
3	19"	10 1/4"	18 1/2"	17"	10"

### MOUNTING BRACKET

Pivoting base for wall mounting only. Heavy gauge steel construction, powder coated crinkle black, Includes rigid arm with 8-position locking pivot base. Weight: 8 lbs. **#SMK-202**



### AVAILABLE OPTIONS

#### STAINLESS STEEL

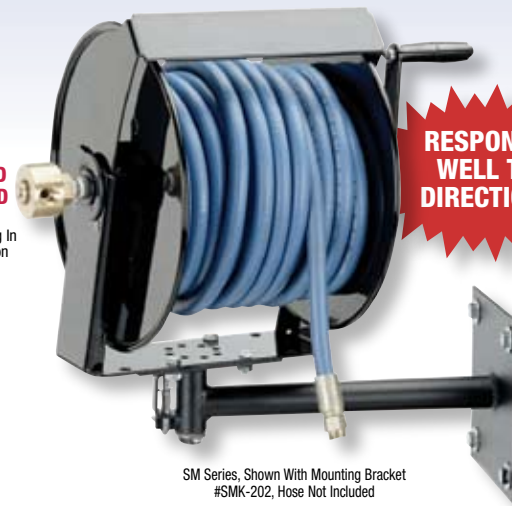


**SWIVELS & PLUMBING FOR PURE PRODUCT FLOW APPLICATIONS**

Consult Factory For Details



Toll Free 800-COX-REEL • Fax 800-229-REEL • Int 480-820-6396 • Fax 480-820-5132 • [www.coxreels.com](http://www.coxreels.com)



**FORWARD WEIGHTED DESIGN**  
To Easily Swing In Users Direction

SM Series, Shown With Mounting Bracket #SMK-202, Hose Not Included

### SM SERIES Offers...

- Hose I.D.: 3/8" - 1/2" Pressure: To 4,000 PSI
- ✓ Sturdy Single Piece U-Shaped Frame Design
- ✓ Unique Hose Control Bar Keeps Hose From Slipping Off The Disc From Any Direction
- ✓ Forward-Weighted Design Ensures Rotation In Direction Of Use
- ✓ Temperatures -20° F to 300° F
- ✓ Optional 8-Position Swivel Mount Wall Mount Bracket With Lock Pin
- ✓ Direct Hand Crank Action
- ✓ Up To 4,000 PSI Working Pressure
- ✓ Brass NPT Swivel Inlet Machined From Solid
- ✓ Brake Assembly Provides Adjustable Friction To Brake Or Lock The Drum
- ✓ Swivel Seals: VITON

### COXREELS® SIGNATURE FEATURES:

- ✓ Professional Grade Heavy Duty Steel Construction
- ✓ Durable Proprietary CPC™ Powder Coat Process
- ✓ Rolled Edges & Ribbed Discs Provide Strength & Safety
- ✓ Leading 2-Year Manufacturer's Limited Warranty
- ✓ Made In The U.S.A. Sold & Supported Worldwide

**HOW TO ORDER?**

See Page 5 For Details

**NEED SPECIAL O-RINGS**

See Page 35 For Details



# Compact Hand Crank Hose Reels

AVAILABLE IN: **HAND CRANK**

## 100 SERIES

**COXREELS® 100 Series "Challenger" hand crank hose reels are lightweight, compact, versatile reels that perform at working pressures up to 4,000 PSI.** Save time and effort while increasing the safety of your work environment. The sturdy "U" shaped frame and all steel construction make this one tough little reel. All listed models are supplied less hose. Stainless steel models are available.

### 100 SERIES "CHALLENGER REELS"

LESS HOSE						SIZE INDEX
MODEL	I.D.	O.D.	FT.	PSI	APRX. LBS.	
112-3-50	3/8"	5/8"	50	4,000	15	1
112-3-100	3/8"	5/8"	100	4,000	19	2
112-3-150	3/8"	5/8"	150	4,000	21	3
117-3-250	3/8"	5/8"	250	4,000	30	4
117-3-400	3/8"	5/8"	400	4,000	33	5
117-3-550	3/8"	5/8"	550	4,000	35	6
112-4-75	1/2"	7/8"	75	4,000	21	3
117-4-225	1/2"	7/8"	225	4,000	31	5
117-4-350	1/2"	7/8"	350	4,000	37	6
117-5-100	3/4"	1 1/4"	100	4,000	35	7

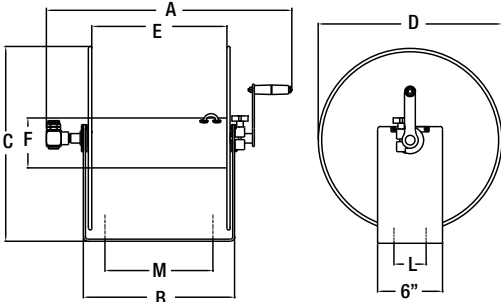


100 Series 112-3-50

100 Series 112-3-150

### REEL DIMENSIONS Technical Data Sheets Available On Website

SIZE INDEX	A	B	C	D	E	F	L	M
1	14 1/4"	6"	13"	12"	4 1/2"	5 1/2"	3"	4"
2	18 1/4"	9 1/2"	13"	12"	8"	5 1/2"	3"	5 1/2"
3	22 3/4"	14"	13"	12"	12 1/2"	5 1/2"	3"	10"
4	18 1/4"	9 1/2"	18"	17"	8"	5 1/2"	3"	5 1/2"
5	22 3/4"	14"	18"	17"	12 1/2"	5 1/2"	3"	10"
6	28 1/4"	19 1/2"	18"	17"	18"	5 1/2"	3"	15 1/2"
7	23 1/4"	14"	18"	17"	12 1/2"	5 1/2"	3"	10"



### 100 SERIES Offers...

**Hose I.D.:** 3/8" - 3/4" **Pressure:** To 4,000 PSI

- ✓ Light Weight Compact Design
- ✓ Temperatures -20° F to 225° F
- ✓ Direct Hand Crank Action
- ✓ Up To 4,000 PSI Working Pressure
- ✓ Brass NPT Swivel Inlet Machined From Solid
- ✓ Brake Assembly Provides Adjustable Friction To Brake Or Lock The Drum
- ✓ Swivel Seals: NITRILE

### COXREELS® SIGNATURE FEATURES:

- ✓ Professional Grade Heavy Duty Steel Construction
- ✓ Durable Proprietary CPC™ Powder Coat Process
- ✓ Rolled Edges & Ribbed Discs Provide Strength & Safety
- ✓ Leading 2-Year Manufacturer's Limited Warranty
- ✓ Made In The U.S.A. Sold & Supported Worldwide

**HOW TO ORDER?**

See Page 5 For Details

**NEED SPECIAL O-RINGS**

See Page 35 For Details

CATALOG #CMC06 ©Copyright 2006 COXREELS

### AVAILABLE OPTIONS

#### STAINLESS STEEL



**SWIVELS, PLUMBING & CONSTRUCTION FOR NON-CORROSIVE PURE PRODUCT FLOW**

See Page 15 For Details



Toll Free 800-COX-REEL • Fax 800-229-REEL • Int 480-820-6396 • Fax 480-820-5132 • [www.coxreels.com](http://www.coxreels.com)



# Portable Hose Reels

AVAILABLE IN: **HAND CRANK**

## DM & CM SERIES

**COXREELS® DM Series “Dolly Mount” hand crank hose reels offer lightweight, compact portability for long lengths of hose.** Eliminate the task of manually coiling and uncoiling hose and easily transport it to the job site on wheels. High pressure applications are no problem with a 4,000 PSI rating. Also, a 4” inlet hose with 3/4” female fitting and male garden adapter is available with this series for use with garden hose. See options below.

**COXREELS® CM Series “Caddy Mount” hand crank hose reel is perfect for carrying the extra long lengths of hose to the job site.** It is lightweight, compact and versatile with working pressures up to 4,000 PSI. The hose control bar prevents the hose from slipping off the side discs and makes it easy to grab and go.

### DM SERIES (DOLLY)

MODEL	LESS HOSE						PSI	APRX. LBS.	SIZE INDEX
	STANDARD CAPACITY			OPTIONAL CAPACITY*					
	I.D.	O.D.	FT.	I.D.	O.D.	FT.			
<b>117-3-200-DM</b>	3/8"	5/8"	200	-	-	-	4,000	37	<b>1</b>
<b>117-4-225-DM</b>	1/2"	7/8"	225	3/8"	3/4"	315	4,000	39	<b>2</b>

\*Reducer Required, See Page 33

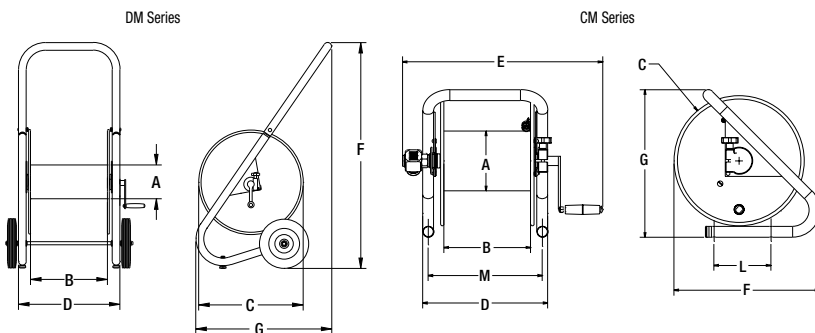
### CM SERIES (CADDY)

MODEL	LESS HOSE						PSI	APRX. LBS.	SIZE INDEX
	STANDARD CAPACITY			OPTIONAL CAPACITY*					
	I.D.	O.D.	FT.	I.D.	O.D.	FT.			
<b>112-3-100-CM</b>	3/8"	5/8"	100	-	-	-	4,000	18	<b>3</b>
<b>112-3-150-CM</b>	3/8"	5/8"	150	-	-	-	4,000	22	<b>4</b>
<b>117-4-225-CM</b>	1/2"	7/8"	225	3/8"	3/4"	315	4,000	28	<b>5</b>

\*Reducer Required, See Page 33

### REEL DIMENSIONS Technical Data Sheets Available On Website

SIZE INDEX	A	B	C	D	E	F	G	L	M
<b>1</b>	5 1/2"	8"	17"	12"	20 3/8"	40"	19"	-	-
<b>2</b>	5 1/2"	12 1/2"	17"	16 3/4"	24 7/8"	40"	19"	-	-
<b>3</b>	5 1/2"	8"	12"	12"	18 3/8"	13"	13 3/4"	3"	6"
<b>4</b>	5 1/2"	12 1/2"	12"	16 1/2"	22 7/8"	13"	13 3/4"	3"	10 1/2"
<b>5</b>	5 1/2"	12 1/2"	17"	16 1/2"	23 1/8"	17 3/4"	19"	3"	10 1/2"



### DM SERIES Offers...

- Hose I.D.: 3/8" - 1/2" Pressure: To 4,000 PSI
- ✓ High-Quality Two Piece 1 1/4" Steel Tube Frame Structure
- ✓ Solid 8" Rubber Tires For Easy Transport
- ✓ Rubber Front Feet Prevent Reel From Slipping Forward
- ✓ Removable Handle Allows Compact Storage
- ✓ Direct Hand Crank Rewind Design
- ✓ Brass NPT Swivel Inlet Machined From Solid
- ✓ Brake Assembly Provides Adjustable Friction To Brake Or Lock The Drum
- ✓ Swivel Seals: NITRILE

### CM SERIES Offers...

- Hose I.D.: 3/8" - 1/2" Pressure: To 4,000 PSI
- ✓ High-Quality Two Piece 1" Steel Tube Frame Structure
- ✓ Hose Control Bar Prevents Hose From Slipping Off The Discs
- ✓ Direct Hand Crank Rewind Design
- ✓ Base Has Holes For Temporary Mounting Or Permanent Installation
- ✓ Brass NPT Swivel Inlet Machined From Solid
- ✓ Brake Assembly Provides Adjustable Friction To Brake Or Lock The Drum
- ✓ Swivel Seals: NITRILE

### COXREELS® SIGNATURE FEATURES:

- ✓ Professional Grade Heavy Duty Steel Construction
- ✓ Durable Proprietary CPC™ Powder Coat Process
- ✓ Rolled Edges & Ribbed Discs Provide Strength & Safety
- ✓ Leading 2-Year Manufacturer's Limited Warranty
- ✓ Made In The U.S.A. Sold & Supported Worldwide

**HOW TO ORDER?**  
See Page 5 For Details

**NEED SPECIAL O-RINGS**  
See Page 35 For Details

### AVAILABLE OPTIONS

#### STAINLESS STEEL



#### GARDEN HOSE KIT



Toll Free 800-COX-REEL • Fax 800-229-REEL • Int 480-820-6396 • Fax 480-820-5132 • [www.coxreels.com](http://www.coxreels.com)



# Hand Crank & Motor Driven Reels

AVAILABLE IN: **MOTOR DRIVEN**  
**HAND CRANK**

## 1125 SERIES

**COXREELS® 1125 Series "Competitor" hand crank and motorized hose reels have the features demanded by industry professionals.** The industry preferred design features a sturdy one piece all welded "A" frame base, low profile outlet riser and open drum slot design provides a non-crimping, flat smooth hose wrap.

### 1125 SERIES

MODEL	LESS HOSE						INLET SWIVEL ASSEMBLY	OUTLET RISER	PSI	APPR. LBS.	SIZE INDEX
	STANDARD CAP.			OPTIONAL CAP.*							
	I.D.	O.D.	FT.	I.D.	O.D.	FT.					
1125-4-100	1/2"	7/8"	100	3/8"	3/4"	140	1/2" F NPT 90°	1/2" F NPT	3,000	36	1
1125-4-200	1/2"	7/8"	200	3/8"	3/4"	300	1/2" F NPT 90°	1/2" F NPT	3,000	39	2
1125-4-325	1/2"	7/8"	325	3/8"	3/4"	450	1/2" F NPT 90°	1/2" F NPT	3,000	48	3
1125-4-450	1/2"	7/8"	450	3/8"	3/4"	625	1/2" F NPT 90°	1/2" F NPT	3,000	52	4
1125-4-500	1/2"	7/8"	500	3/8"	3/4"	700	1/2" F NPT 90°	1/2" F NPT	3,000	58	5
1125-5-50	3/4"	1 1/4"	50	1/2"	7/8"	100	3/4" F NPT 90°	3/4" F NPT	3,000	38	6
1125-5-100	3/4"	1 1/4"	100	1/2"	7/8"	200	3/4" F NPT 90°	3/4" F NPT	3,000	42	7
1125-5-175	3/4"	1 1/4"	175	1/2"	7/8"	325	3/4" F NPT 90°	3/4" F NPT	3,000	50	8
1125-5-200	3/4"	1 1/4"	200	1/2"	7/8"	450	3/4" F NPT 90°	3/4" F NPT	3,000	55	9
1125-5-250	3/4"	1 1/4"	250	1/2"	7/8"	500	3/4" F NPT 90°	3/4" F NPT	3,000	59	10
1125-6-35	1"	1 7/16"	35	3/4"	1 1/4"	50	1" F NPT 90°	1" F NPT	3,000	50	11
1125-6-50	1"	1 7/16"	50	3/4"	1 1/4"	75	1" F NPT 90°	1" F NPT	3,000	55	12
1125-6-75	1"	1 7/16"	75	3/4"	1 1/4"	120	1" F NPT 90°	1" F NPT	3,000	62	13
1125-6-100	1"	1 7/16"	100	3/4"	1 1/4"	150	1" F NPT 90°	1" F NPT	3,000	69	14

\*Reducer Required, See Page 33

### MOTOR DRIVEN MODELS

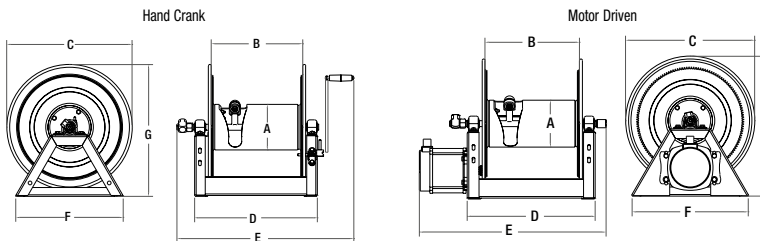
When ordering, suffix the model number with selection below. \*Add 5 lbs to ship weight if reel is crated

SUFFIX	TYPE	DESCRIPTION	ADD ON APPR. LBS.*
A	AIR - #4 GAST	COMP. AIR MOTOR	8
E	ELEC. - 12V DC	1/3 HP REV. REV. TYPE	13
EB	ELEC. - 24V DC	1/2 HP REV. REV. TYPE	26
ED	ELEC. - EXPL. PRF.	1/2 HP REV. REV. TYPE	26
EA	ELEC. - EXPL. PRF.	115V 1/2 HP REV., AC REV. TYPE	26
H	HYDRAULIC	END PORTED 9/16-18 UNF REV.	6

### REEL DIMENSIONS

Technical Data Sheets Available On Website

SIZE INDEX	A	B	C	D	CRANK		ELEC.		AIR		F	CRANK			ELEC.			AIR		
					E	E	E	E	G	E		G	G	G	G	G	G			
1	6 1/4"	6"	17 1/2"	11 3/8"	21 3/4"	18 3/8"	16 1/2"	15 1/8"	18 1/8"	18 3/4"	18 3/4"	18 1/8"	18 3/4"	18 3/4"	18 3/4"	18 3/4"	18 3/4"	18 3/4"	18 3/4"	18 3/4"
2	6 1/4"	12"	17 1/2"	17 3/8"	27 3/4"	24 3/8"	22 1/2"	15 1/8"	18 1/8"	18 3/4"	18 3/4"	18 1/8"	18 3/4"	18 3/4"	18 3/4"	18 3/4"	18 3/4"	18 3/4"	18 3/4"	18 3/4"
3	6 1/4"	18"	17 1/2"	23 3/8"	33 3/4"	30 3/8"	28 1/2"	15 1/8"	18 1/8"	18 3/4"	18 3/4"	18 1/8"	18 3/4"	18 3/4"	18 3/4"	18 3/4"	18 3/4"	18 3/4"	18 3/4"	18 3/4"
4	6 1/4"	24"	17 1/2"	29 3/8"	39 3/4"	36 3/8"	34 1/2"	15 1/8"	18 1/8"	18 3/4"	18 3/4"	18 1/8"	18 3/4"	18 3/4"	18 3/4"	18 3/4"	18 3/4"	18 3/4"	18 3/4"	18 3/4"
5	6 1/4"	28"	17 1/2"	33 3/8"	43 3/4"	40 3/8"	38 1/2"	15 1/8"	18 1/8"	18 3/4"	18 3/4"	18 1/8"	18 3/4"	18 3/4"	18 3/4"	18 3/4"	18 3/4"	18 3/4"	18 3/4"	18 3/4"
6	6 1/4"	6"	17 1/2"	11 3/8"	21 1/4"	18 3/8"	16 1/2"	15 1/8"	18 1/8"	18 3/4"	18 3/4"	18 1/8"	18 3/4"	18 3/4"	18 3/4"	18 3/4"	18 3/4"	18 3/4"	18 3/4"	18 3/4"
7	6 1/4"	12"	17 1/2"	17 3/8"	27 1/4"	24 3/8"	22 1/2"	15 1/8"	18 1/8"	18 3/4"	18 3/4"	18 1/8"	18 3/4"	18 3/4"	18 3/4"	18 3/4"	18 3/4"	18 3/4"	18 3/4"	18 3/4"
8	6 1/4"	18"	17 1/2"	23 3/8"	33 1/4"	30 3/8"	28 1/2"	15 1/8"	18 1/8"	18 3/4"	18 3/4"	18 1/8"	18 3/4"	18 3/4"	18 3/4"	18 3/4"	18 3/4"	18 3/4"	18 3/4"	18 3/4"
9	6 1/4"	24"	17 1/2"	29 3/8"	39 1/4"	36 3/8"	34 1/2"	15 1/8"	18 1/8"	18 3/4"	18 3/4"	18 1/8"	18 3/4"	18 3/4"	18 3/4"	18 3/4"	18 3/4"	18 3/4"	18 3/4"	18 3/4"
10	6 1/4"	28"	17 1/2"	33 3/8"	43 1/4"	40 3/8"	38 1/2"	15 1/8"	18 1/8"	18 3/4"	18 3/4"	18 1/8"	18 3/4"	18 3/4"	18 3/4"	18 3/4"	18 3/4"	18 3/4"	18 3/4"	18 3/4"
11	8 1/4"	9 1/2"	17 1/2"	14 7/8"	25 1/4"	21 7/8"	20"	15 1/8"	18 1/8"	18 3/4"	18 3/4"	18 1/8"	18 3/4"	18 3/4"	18 3/4"	18 3/4"	18 3/4"	18 3/4"	18 3/4"	18 3/4"
12	8 1/4"	15 1/2"	17 1/2"	20 7/8"	31 1/4"	27 7/8"	26"	15 1/8"	18 1/8"	18 3/4"	18 3/4"	18 1/8"	18 3/4"	18 3/4"	18 3/4"	18 3/4"	18 3/4"	18 3/4"	18 3/4"	18 3/4"
13	8 1/4"	22"	17 1/2"	27 3/8"	37 3/4"	34 3/8"	32 1/2"	15 1/8"	18 1/8"	18 3/4"	18 3/4"	18 1/8"	18 3/4"	18 3/4"	18 3/4"	18 3/4"	18 3/4"	18 3/4"	18 3/4"	18 3/4"
14	8 1/4"	28"	17 1/2"	33 3/8"	43 3/4"	40 3/8"	38 1/2"	15 1/8"	18 1/8"	18 3/4"	18 3/4"	18 1/8"	18 3/4"	18 3/4"	18 3/4"	18 3/4"	18 3/4"	18 3/4"	18 3/4"	18 3/4"



### AVAILABLE OPTIONS

**ROLLER BRACKETS**  
IMPROVE HOSE HANDLING FROM ANY DIRECTION  
MANY STYLES AVAILABLE  
See Page 34 For Selection

**SWITCHES & SPEED CONTROLLERS**  
ADJUST & SET REWIND SPEED  
CONVENIENT ON/OFF CONTROL  
REVERSE/FORWARD CAP.  
MANY STYLES AVAILABLE  
See Page 34 For Details

**STAINLESS STEEL**  
SWIVELS & PLUMBING  
FOR PURE PRODUCT FLOW  
APPLICATIONS  
Consult Factory For Details

**HOW TO ORDER?** See Page 5 For Details  
**NEED SPECIAL O-RINGS** See Page 35 For Details



Toll Free 800-COX-REEL • Fax 800-229-REEL • Int 480-820-6396 • Fax 480-820-5132 • [www.coxreels.com](http://www.coxreels.com)



### 1125 SERIES Offers...

- Hose I.D.:** 3/8" - 1" **Pressure:** To 3,000 PSI
- ✓ One Piece All Welded Steel "A" Frame Construction
  - ✓ Low Profile Riser & Open Drum Slot For Smooth, Even Hose Wraps
  - ✓ Direct Gear Drive On Motor Driven Models - No Chains
  - ✓ Solid Steel Crank With Smooth Round Handle
  - ✓ Permanently Lubricated Pillow Block Bearings For Smooth Rotation
  - ✓ Long-Handled Lock Pin Secures Reel From Rotation
  - ✓ Adjustable Friction Brake Assembly To Brake Or Lock The Drum
  - ✓ Brass NPT Swivel Inlet Machined From Solid (Zinc Plated Steel On 1" Models)
  - ✓ Swivel Seals: NITRILE (AFLS On 1" Models)

### PORTABLE HOSE REEL CART Offers...

- ✓ Steel Round Handle Detaches For Compact Storage
  - ✓ Steel Front Legs With Rubber Feet Prevent Sliding
  - ✓ High Grade Ball Bearings With Hardened Cup
  - ✓ 1/2" Diameter Steel Axle
  - ✓ Solid 8" Rubber Tires
  - ✓ For 8" Semi-Pneumatic Tires Order Model #PRP
- PORTABLE CART (LESS REEL):** Weight: 14 lbs.  
**#PR-1125-6** - To be used with 1125-4-100 & 1125-5-50  
**#PRP-1125-6** - To be used with 1125-4-100  
**#PR-1125-12** - To be used with 1125-4-200  
**#PRP-1125-12** - To be used with 1125-4-200

### CARRY HANDLES Offers...

- ✓ Easily Bolts To "A" Frame Making The Reel Portable
  - ✓ 1" Tube Steel Construction
  - ✓ Powder Coated Crinkle Black
- #PR-1125-HC** Weight: 8 lbs.

**COXREELS® SIGNATURE FEATURES:**

- ✓ Professional Grade Heavy Duty Steel Construction
- ✓ Durable Proprietary CPC™ Powder Coat Process
- ✓ Rolled Edges & Ribbed Discs Provide Strength & Safety
- ✓ Leading 2-Year Manufacturer's Limited Warranty
- ✓ Made In The U.S.A. Sold & Supported Worldwide

# Hand Crank & Motor Driven Reels

AVAILABLE IN: **MOTOR DRIVEN**  
**HAND CRANK**

## 1175 SERIES

**COXREELS® 1175 Series "Competitor" hand crank and motorized hose reels, like the 1125 Series, is an industry preferred design built with a larger chassis for larger hose capacities and hose diameters.** They feature a sturdy one piece all welded "A" frame base, low profile outlet riser open drum slot design for smooth even hose wraps around the drum.

### 1175 SERIES

MODEL	LESS HOSE						INLET SWIVEL ASSEMBLY	OUTLET RISER	PSI	APRX. LBS.	SIZE INDEX
	STANDARD CAP.			OPTIONAL CAP.*							
	I.D.	O.D.	FT.	I.D.	O.D.	FT.					
<b>1175-6-50</b>	1"	1 7/16"	50	3/4"	1 1/4"	100	1" F NPT 90°	1" F NPT	3,000	67	<b>1</b>
<b>1175-6-100</b>	1"	1 7/16"	100	3/4"	1 1/4"	150	1" F NPT 90°	1" F NPT	3,000	70	<b>2</b>
<b>1175-6-125</b>	1"	1 7/16"	125	3/4"	1 1/4"	200	1" F NPT 90°	1" F NPT	3,000	72	<b>3</b>
<b>1175-6-135</b>	1"	1 7/16"	135	3/4"	1 1/4"	175	1" F NPT 90°	1" F NPT	3,000	70	<b>6</b>
<b>1175-6-150</b>	1"	1 7/16"	150	3/4"	1 1/4"	250	1" F NPT 90°	1" F NPT	3,000	75	<b>4</b>
<b>1175-6-200</b>	1"	1 7/16"	200	3/4"	1 1/4"	300	1" F NPT 90°	1" F NPT	3,000	83	<b>5</b>

\*Reducer Required, See Page 33

### MOTOR DRIVEN MODELS

When ordering, suffix the model number with selection below. \*Add on approximate lbs to ship weight.

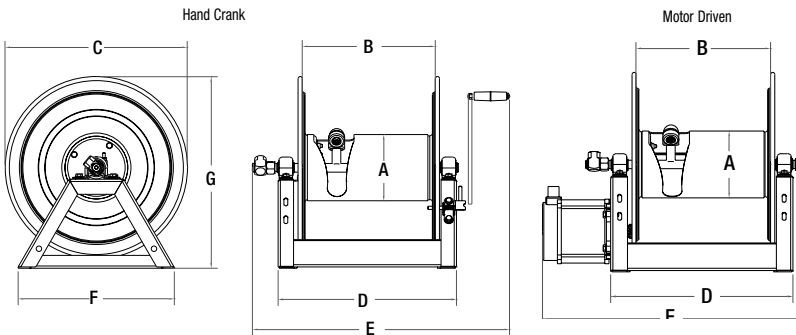
SUFFIX	TYPE	DESCRIPTION	ADD ON APRX. LBS.*
<b>A</b>	AIR - #4 GAST	COMP. AIR MOTOR	8
<b>E</b>	ELEC. - 12V DC	1/3 HP REV. REV. TYPE	13
<b>EB</b>	ELEC. - 24V DC	1/2 HP REV. REV. TYPE	26
<b>ED</b>	ELEC. - EXPL. PRF.	1/2 HP REV. REV. TYPE	26
<b>EA</b>	ELEC. - EXPL. PRF.	115V 1/2 HP REV., AC REV. TYPE	26
<b>H</b>	HYDRAULIC	END PORTED 9/16-18 UNF REV.	6
<b>C</b>	CRANK	BEVEL GEAR	3

\*Add 5 lbs to ship weight if reel is crated

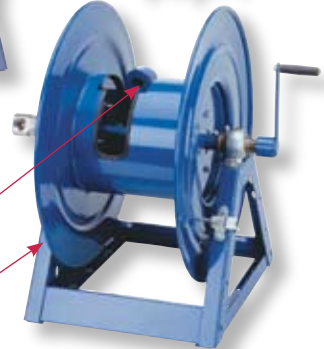
### REEL DIMENSIONS

Technical Data Sheets Available On Website

SIZE INDEX	A	B	C	D	CRANK	ELEC.	AIR	F	G
					E	E	E		
<b>1</b>	10 1/2"	7 1/2"	24"	12 7/8"	24 3/4"	20 3/8"	18 1/2"	20 1/8"	26 1/4"
<b>2</b>	10 1/2"	11 1/2"	24"	16 7/8"	28 3/4"	24 3/8"	22 1/2"	20 1/8"	26 1/4"
<b>3</b>	10 1/2"	13 1/2"	24"	18 7/8"	30 3/4"	26 3/8"	24 1/2"	20 1/8"	26 1/4"
<b>4</b>	10 1/2"	15 1/2"	24"	20 7/8"	32 3/4"	28 3/8"	26 1/2"	20 1/8"	26 1/4"
<b>5</b>	10 1/2"	20"	24"	25 3/8"	37 1/4"	32 7/8"	31"	20 1/8"	26 1/4"
<b>6</b>	10 1/2"	20"	20"	25 3/8"	37 1/4"	32 7/8"	31"	17 7/8"	22"



1175 Series, Motor Driven With Optional Roller Hose Guide Sold Separately



Low Profile Riser & Open Drum Slot For Smooth, Even Hose Wraps

Sturdy All Welded "A" Frame Base

1175 Series, Hand Crank

### 1175 SERIES Offers...

Hose I.D.: 1" Pressure: To 3,000 PSI

- ✓ One Piece All Welded Steel "A" Frame Construction
- ✓ Low Profile Riser & Open Drum Slot For Smooth, Even Hose Wraps
- ✓ Solid Steel Crank With Smooth Round Handle
- ✓ Permanently Lubricated Pillow Block Bearings For Smooth Rotation
- ✓ Available In Hand Crank Or Motor Driven (See Chart On Left)
- ✓ Long-Handled Lock Pin Secures Reel From Rotation
- ✓ Adjustable Friction Brake Assembly To Brake Or Lock The Drum
- ✓ Chain & Sprocket Drive
- ✓ Zinc Plated Steel Swivels
- ✓ Swivel Seals: AFLAS

### PORTABLE HOSE REEL CART Offers...



- ✓ Steel Round Handle Detaches For Compact Storage
- ✓ Steel Front Legs With Rubber Feet Prevent Sliding
- ✓ High Grade Ball Bearings With Hardened Cup
- ✓ 1/2" Diameter Steel Axle
- ✓ Solid 8" Rubber Tires
- ✓ For 8" Semi-Pneumatic Tires Order Model #PRP

PORTABLE CART (LESS REEL): Weight: 14 lbs.

- #PR-1175-11 - To be used with 1175-6-100
- #PRP-1175-11 - To be used with 1175-6-100
- #PR-1175-15 - To be used with 1175-6-150
- #PRP-1175-15 - To be used with For 1175-6-150

### COXREELS® SIGNATURE FEATURES:

- ✓ Professional Grade Heavy Duty Steel Construction
- ✓ Durable Proprietary CPC™ Powder Coat Process
- ✓ Rolled Edges & Ribbed Discs Provide Strength & Safety
- ✓ Leading 2-Year Manufacturer's Limited Warranty
- ✓ Made In The U.S.A. Sold & Supported Worldwide

**HOW TO ORDER?**  
See Page 5 For Details

**NEED SPECIAL O-RINGS**  
See Page 35 For Details

### AVAILABLE OPTIONS

#### ROLLER BRACKETS



IMPROVE HOSE HANDLING FROM ANY DIRECTION  
MANY STYLES AVAILABLE  
See Page 34 For Selection

#### SWITCHES & SPEED CONTROLLERS



ADJUST & SET REWIND SPEED  
CONVENIENT ON/OFF CONTROL  
REVERSE/FORWARD CAP.  
MANY STYLES AVAILABLE  
See Page 34 For Details

#### STAINLESS STEEL



SWIVELS & PLUMBING FOR PURE PRODUCT FLOW APPLICATIONS  
Consult Factory For Details



Toll Free 800-COX-REEL • Fax 800-229-REEL • Int 480-820-6396 • Fax 480-820-5132 • [www.coxreels.com](http://www.coxreels.com)



# Large Capacity/Volume Hose Reels

AVAILABLE IN: **MOTOR DRIVEN**  
**HAND CRANK**

## 1185 & 1195 SERIES

**COXREELS® 1185 and 1195 Series hand crank and motor driven hose reels are designed to handle long lengths of large diameter hose for increased volume delivery.** Coxreels' exclusive low profile outlet riser and open drum design provide a non-crimping, flat smooth hose wrap. The sturdy all welded "A" frame base provides exceptional strength to handle the extra weight without sacrificing performance, even in demanding mobile applications.

### 1185 SERIES

MODEL	STANDARD CAP.			OPTIONAL CAP.*			INLET SWIVEL ASSEMBLY	OUTLET RISER	PSI	APPR. LBS.	SIZE INDEX
	I.D.	O.D.	FT.	I.D.	O.D.	FT.					
<b>1185-1124</b>	1 1/2"	2 1/16"	50	1 1/4"	1 13/16"	75	1 1/2" F NPT	1 1/2" F NPT	600	76	<b>1</b>
<b>1185-1524</b>	1 1/2"	2 1/16"	75	1 1/4"	1 13/16"	100	1 1/2" F NPT	1 1/2" F NPT	600	81	<b>2</b>
<b>1185-2020</b>	1 1/2"	2 1/16"	70	1 1/4"	1 13/16"	80	1 1/2" F NPT	1 1/2" F NPT	600	70	<b>3</b>
<b>1185-2024</b>	1 1/2"	2 1/16"	100	1 1/4"	1 13/16"	125	1 1/2" F NPT	1 1/2" F NPT	600	94	<b>4</b>
<b>1185-2028</b>	1 1/2"	2 1/16"	125	1 1/4"	1 13/16"	180	1 1/2" F NPT	1 1/2" F NPT	600	109	<b>5</b>
<b>1185-2528</b>	1 1/2"	2 1/16"	150	1 1/4"	1 13/16"	220	1 1/2" F NPT	1 1/2" F NPT	600	122	<b>6</b>
<b>1185-3324</b>	1 1/2"	2 1/16"	175	1 1/4"	1 13/16"	225	1 1/2" F NPT	1 1/2" F NPT	600	154	<b>7</b>
<b>1185-3328</b>	1 1/2"	2 1/16"	250	1 1/4"	1 13/16"	325	1 1/2" F NPT	1 1/2" F NPT	600	169	<b>8</b>

\*Reducer Required, See Page 33

### 1195 SERIES

MODEL	STANDARD CAP.			OPTIONAL CAP.*			INLET SWIVEL ASSEMBLY	OUTLET RISER	PSI	APPR. LBS.	SIZE INDEX
	I.D.	O.D.	FT.	I.D.	O.D.	FT.					
<b>1195-932</b>	2"	2 9/16"	50	1 1/2"	2 1/16"	60	2" F NPT	2" F NPT	600	128	<b>9</b>
<b>1195-1332</b>	2"	2 9/16"	75	1 1/2"	2 1/16"	100	2" F NPT	2" F NPT	600	148	<b>10</b>
<b>1195-2032</b>	2"	2 9/16"	115	1 1/2"	2 1/16"	150	2" F NPT	2" F NPT	600	186	<b>11</b>
<b>1195-1728</b>	2"	2 9/16"	60	1 1/2"	2 1/16"	85	2" F NPT	2" F NPT	600	134	<b>12</b>
<b>1195-2428</b>	2"	2 9/16"	90	1 1/2"	2 1/16"	135	2" F NPT	2" F NPT	600	169	<b>13</b>
<b>1195-3228</b>	2"	2 9/16"	125	1 1/2"	2 1/16"	175	2" F NPT	2" F NPT	600	218	<b>14</b>

\*Reducer Required, See Page 33

### MOTOR DRIVEN MODELS

When ordering, suffix the model number with selection below. \*Add on approximate lbs to ship weight (\*Add 5 lbs to ship weight if reel is crated).

SUFFIX	TYPE	DESCRIPTION	ADD ON APPR. LBS.*
<b>A</b>	AIR - #4 GAST	COMP. AIR MOTOR	8
<b>AB</b>	AIR - #6 GAST	COMP. AIR MOTOR	17
<b>E</b>	ELEC. - 12V DC	1/8 HP REV. REV. TYPE	13
<b>EB</b>	ELEC. - 24V DC	1/2 HP REV. REV. TYPE	26
<b>ED</b>	ELEC. - EXPL. PRF.	1/2 HP REV. REV. TYPE	26
<b>EA</b>	ELEC. - EXPL. PRF.	115V 1/2 HP REV., AC REV. TYPE	26
<b>H</b>	HYDRAULIC	END PORTED 3/16-18 UNF REV.	6
<b>C</b>	CRANK	BEVEL GEAR	3

### REEL DIMENSIONS

SIZE INDEX	A	B	C	D	TECHNICAL DATA SHEETS AVAILABLE ON WEBSITE			F	G
					CRANK	ELEC.	AIR		
<b>1</b>	10 1/2"	11 1/2"	24"	17 1/16"	24 1/16"	26 9/16"	22 9/16"	25"	
<b>2</b>	10 1/2"	15 1/2"	24"	21 1/16"	28 1/16"	30 9/16"	28 5/16"	25"	
<b>3</b>	10 1/2"	11 1/2"	20"	25 9/16"	32 9/16"	34 1/16"	32 13/16"	19 5/8"	
<b>4</b>	10 1/2"	20"	24"	25 1/16"	32 9/16"	34 1/16"	32 13/16"	22 9/16"	
<b>5</b>	10 1/2"	20"	28"	25 1/16"	32 9/16"	34 1/16"	32 13/16"	24 1/2"	
<b>6</b>	10 1/2"	25"	28"	30 1/16"	37 9/16"	39 1/16"	37 13/16"	22 3/8"	
<b>7</b>	10 1/2"	33"	24"	38 1/16"	45 9/16"	47 1/16"	45 13/16"	24 1/2"	
<b>8</b>	10 1/2"	33"	28"	38 1/16"	45 9/16"	47 1/16"	45 13/16"	24 1/2"	
<b>9</b>	15 1/2"	9 1/2"	32"	15 1/8"	20"	20"	25 5/8"	33 1/4"	
<b>10</b>	15 1/2"	13 1/2"	32"	19 1/8"	24"	24"	25 5/8"	33 1/4"	
<b>11</b>	15 1/2"	20"	32"	25 5/8"	30 1/2"	30 1/2"	25 5/8"	33 1/4"	
<b>12</b>	15 1/2"	17 1/2"	28"	23 3/8"	28"	28"	24 1/2"	30 3/4"	
<b>13</b>	15 1/2"	24"	28"	29 5/8"	34 1/2"	34 1/2"	24 1/2"	30 3/4"	
<b>14</b>	15 1/2"	32"	28"	37 5/8"	42 1/2"	42 1/2"	24 1/2"	30 3/4"	



Low Profile Riser & Open Drum Slot For Smooth, Even Hose Wraps

Sturdy All Welded "A" Frame Base

### 1185 SERIES Offers...

- Hose I.D.:** 1 1/4" - 1 1/2" **Pressure:** To 600 PSI
- ✓ Swivel Is Bolted Directly To The Bearing Housing
- ✓ Low Profile Outlet Riser & Open Hose Slot For Even Hose Wraps
- ✓ Horizontal Surface Mount Bearings Instead Of Flange Mounted
- ✓ Brake Assembly Provides Adj. Friction To Brake Or Lock The Drum
- ✓ One Piece All Welded Steel "A" Frame Construction
- ✓ Swivel Seals: NITRILE

### PORTABLE HOSE REEL CARTS

- ✓ See Page 30 For Description
- PORTABLE CART (LESS REEL):** Weight: 14 lbs.
- #PR-1175-11** - To be used with 1185-1124
- #PRP-1175-11** - To be used with 1185-1124
- #PR-1175-15** - To be used with 1185-1524
- #PRP-1175-15** - To be used with 1185-1524

### 1195 SERIES Offers...

- Hose I.D.:** 1 1/2" - 2" **Pressure:** To 600 PSI
- ✓ Supplied With 90° Ball Bearing 2" NPT Swivel Inlet
- ✓ Adaptor For Victaulic Connections Available, Consult Factory
- ✓ Low Profile Outlet Riser & Open Hose Slot For Even Hose Wraps
- ✓ Horizontal Surface Mount Bearings Instead Of Flange Mounted
- ✓ Brake Assembly Provides Adj. Friction To Brake Or Lock The Drum
- ✓ One Piece All Welded Steel "A" Frame Construction
- ✓ Swivel Seals: VITON

### COXREELS® SIGNATURE FEATURES:

- ✓ Professional Grade Heavy Duty Steel Construction
- ✓ Durable Proprietary CPC™ Powder Coat Process
- ✓ Rolled Edges & Ribbed Discs Provide Strength & Safety
- ✓ Leading 2-Year Manufacturer's Limited Warranty
- ✓ Made In The U.S.A. Sold & Supported Worldwide

**HOW TO ORDER?**  
See Page 5 For Details

**NEED SPECIAL O-RINGS**  
See Page 35 For Details

### AVAILABLE OPTIONS



Toll Free 800-COX-REEL • Fax 800-229-REEL • Int 480-820-6396 • Fax 480-820-5132 • [www.coxreels.com](http://www.coxreels.com)



# Large Capacity Dual Hose Reels

AVAILABLE IN: **MOTOR DRIVEN**  
**HAND CRANK**

## 1275 SERIES

**COXREELS® 1275 Series "Dual Hose" hand crank or motorized hose reels are designed for large capacity applications.** This series features dual plumbing with two swivel inlets and two low profile outlets that compliment the open drum slot and provide a non-crimping, flat smooth hose wrap. The industry preferred one piece all welded "A" frame design adds rigidity and strength while the positive gear drive rewind assures consistent trouble-free performance.

### 1275 SERIES

MODEL	STANDARD CAP.			OPTIONAL CAP.*			INLET SWIVEL ASSEMBLY	OUTLET RISER	PSI	APPR. LBS.	SIZE INDEX
	I.D.	O.D.	FT.	I.D.	O.D.	FT.					
<b>1275-4-50</b>	1/2"	7/8"	2/50	3/8"	3/4"	2/70	1/2" F NPT	1/2" F NPT	3,000	40	<b>1</b>
<b>1275-4-100</b>	1/2"	7/8"	2/100	3/8"	3/4"	2/140	1/2" F NPT	1/2" F NPT	3,000	42	<b>2</b>
<b>1275-4-150</b>	1/2"	7/8"	2/150	3/8"	3/4"	2/200	1/2" F NPT	1/2" F NPT	3,000	47	<b>3</b>
<b>1275-4-200</b>	1/2"	7/8"	2/200	3/8"	3/4"	2/300	1/2" F NPT	1/2" F NPT	3,000	56	<b>4</b>
<b>1275-6-50</b>	1"	1 7/16"	2/50	3/4"	1 1/4"	2/60	1" F NPT	1" F NPT	3,000	63	<b>5</b>
<b>1275-6-75</b>	1"	1 7/16"	2/75	3/4"	1 1/4"	2/110	1" F NPT	1" F NPT	3,000	68	<b>6</b>
<b>1275-6-100</b>	1"	1 7/16"	2/100	3/4"	1 1/4"	2/155	1" F NPT	1" F NPT	3,000	74	<b>7</b>
<b>1275-6-150</b>	1"	1 7/16"	2/150	3/4"	1 1/4"	2/200	1" F NPT	1" F NPT	3,000	88	<b>8</b>

\*Reducer Required, See Page 33

### MOTOR DRIVEN MODELS

When ordering, suffix the model number with selection below. \*Add on approximate lbs to ship weight.

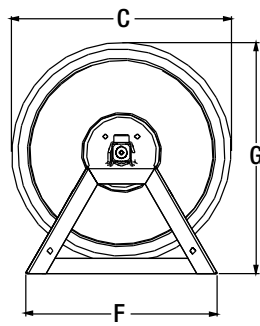
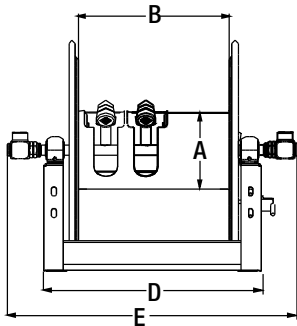
SUFFIX	TYPE	DESCRIPTION	ADD ON APPR. LBS.*
<b>A</b>	AIR - #4 GAST	COMP. AIR MOTOR	8
<b>E</b>	ELEC. - 12V DC	1/3 HP REV. REV. TYPE	13
<b>EB</b>	ELEC. - 24V DC	1/2 HP REV. REV. TYPE	26
<b>ED</b>	ELEC. - EXPL. PRF.	1/2 HP REV. REV. TYPE	26
<b>EA</b>	ELEC. - EXPL. PRF.	115V 1/2 HP REV., AC REV. TYPE	26
<b>H</b>	HYDRAULIC	END PORTED 3/16-18 UNF REV.	6
<b>C</b>	CRANK	BEVEL GEAR	3

\*Add 5 lbs to ship weight if reel is crated

### REEL DIMENSIONS

Technical Data Sheets Available On Website

SIZE INDEX	A	B	C	D	CRANK		ELEC.		AIR		F	G
					E	E	E	E				
<b>1</b>	6 1/4"	8"	17 1/2"	13 3/8"	19 5/16"	21 3/8"	19 1/2"	15 1/8"	18 3/4"			
<b>2</b>	6 1/4"	12"	17 1/2"	17 3/8"	23 5/16"	25 3/8"	23 1/2"	15 1/8"	18 3/4"			
<b>3</b>	6 1/4"	18"	17 1/2"	23 3/8"	29 5/16"	31 3/8"	29 1/2"	15 1/8"	18 3/4"			
<b>4</b>	6 1/4"	24"	17 1/2"	29 3/8"	35 5/16"	37 3/8"	35 1/2"	15 1/8"	18 3/4"			
<b>5</b>	10 1/2"	13 1/2"	20"	19 1/16"	-	30 3/8"	28 3/8"	18 7/8"	22 7/8"			
<b>6</b>	10 1/2"	13 1/2"	24"	19 1/16"	-	30 3/8"	28 3/8"	20 3/8"	26 1/8"			
<b>7</b>	10 1/2"	20"	24"	25 9/16"	-	30 7/8"	34 7/8"	20 3/8"	26 1/8"			
<b>8</b>	10 1/2"	20"	28"	25 9/16"	-	30 7/8"	34 7/8"	22 9/16"	30 1/16"			



Low Profile Riser & Open Drum Slot For Smooth, Even Hose Wraps



Sturdy All Welded "A" Frame Base

1275 Series

### 1275 SERIES Offers...

- Hose I.D.:** 3/8" - 1/2" **Pressure:** To 3,000 PSI
- ✓ Two Solid Brass NPT Swivels & Two Outlet Risers For Dual Hose Applications
  - ✓ Positive Gear-Drive Rewind In Air, Hyd., & Electric Motor Rewind
  - ✓ One Piece All Welded Steel "A" Frame Construction
  - ✓ Low Profile Riser & Open Drum Slot For Smooth, Even Hose Wraps
  - ✓ Permanently Lub. Pillow Block Bearings Assure Smooth Rotation
  - ✓ Swivel O-Ring Seals, Supported By Teflon® Spacers
  - ✓ Swivel Seals: NITRILE

### PORTABLE HOSE REEL CARTS

- ✓ Steel Round Handle Detaches For Compact Storage
- ✓ Steel Front Legs With Rubber Feet Prevent Sliding
- ✓ High Grade Ball Bearings With Hardened Cup
- ✓ 1/2" Diameter Steel Axle
- ✓ Solid 8" Rubber Tires
- ✓ For 8" Semi-Pneumatic Tires Order Model #PRP

**PORTABLE CART (LESS REEL):** Weight: 14 lbs.  
#PR-1125-12 - To be used with 1275-4-100  
#PRP-1125-12 - To be used with 1275-4-100

### COXREELS® SIGNATURE FEATURES:

- ✓ Professional Grade Heavy Duty Steel Construction
- ✓ Durable Proprietary CPC™ Powder Coat Process
- ✓ Rolled Edges & Ribbed Discs Provide Strength & Safety
- ✓ Leading 2-Year Manufacturer's Limited Warranty
- ✓ Made In The U.S.A. Sold & Supported Worldwide

**HOW TO ORDER?**  
See Page 5 For Details

**NEED SPECIAL O-RINGS**  
See Page 35 For Details

### AVAILABLE OPTIONS

#### ROLLER BRACKETS



IMPROVE HOSE HANDLING FROM ANY DIRECTION  
MANY STYLES AVAILABLE  
See Page 34 For Selection

#### SWITCHES & SPEED CONTROLLERS



ADJUST & SET REWIND SPEED  
CONVENIENT ON/OFF CONTROL  
REVERSE/FORWARD CAP.  
MANY STYLES AVAILABLE  
See Page 34 For Details

#### STAINLESS STEEL



SWIVELS & PLUMBING FOR PURE PRODUCT FLOW APPLICATIONS  
Consult Factory For Details



Toll Free 800-COX-REEL • Fax 800-229-REEL • Int 480-820-6396 • Fax 480-820-5132 • [www.coxreels.com](http://www.coxreels.com)





# Reel Accessories

## HOSE, ASSEMBLIES & COMPONENT PARTS

### HOSE ASSEMBLIES

PREMIUM  
**HOSE  
UPGRADE**



**NITRILE HOSE** Multi-purpose hose with tube compounded for maximum oil resistance. Hose can be used for air, water, oil and many other chemical applications. Max. Temp. +212°F

SUFFIX	TUBE MATERIAL	COVER	I.D.	O.D.	PSI
OG	Nitrile	Neoprene	1/4"	1/2"	300
OG	Nitrile	Neoprene	3/8"	11/16"	300
OG	Nitrile	Neoprene	1/2"	27/32"	300
OG	Nitrile	Neoprene	3/4"	1 5/32"	300

**EPDM** General-purpose hose is excellent for air, water, and many agricultural chemical transfer applications. EPDM tube cover resists heat, sunlight, ozone, and weathering. Max. Temp. +212°F

SUFFIX	TUBE MATERIAL	COVER	I.D.	O.D.	PSI
RH	EPDM	EPDM	1/4"	1/2"	300
RH	EPDM	EPDM	3/8"	11/16"	300
RH	EPDM	EPDM	1/2"	27/32"	300
RH	EPDM	EPDM	3/4"	1 5/32"	300

### INLET HOSE ASSEMBLIES

PART NUMBER	FITTINGS	I.D.	LENGTH	PSI
5150-1.5	1/4" Male x Female NPT	1/4"	18"	300
5153-1.5	3/8" Male x Female NPT	3/8"	18"	300
5154-1.5	1/2" Male x Female NPT	1/2"	18"	300
5155-1.5	3/4" Male x Female NPT	3/4"	18"	300
5224-1.5	3/8" Male x Female NPT	3/8"	18"	3000
5256-1.5	1/2" Male x Female NPT	1/2"	18"	2500
5290-1.5	3/4" Male x Female NPT	3/4"	18"	1500
5304-1.5	1 1/4" Male x Female NPT	1/4"	18"	5000
5336-1.5	3/8" Male x Female NPT	3/8"	18"	4000
15717	Garden 3/4" NPTM (w/Part #10781) x 3/4" NP	3/4"	48"	300

### TWIN WELDING INLET HOSE ASSEMBLIES

PART NUMBER	FITTINGS	I.D.	LENGTH	PSI
5423-1.5	1/4" Male x Female NPT	1/4"	18"	200
5424-1.5	"T" Grade 1/4" Male x Female NPT	1/4"	18"	200

### 90° ELBOWS

PART NUMBER	FITTING THREAD	I.D.	PSI
6088	LP Male x Female NPT	1/4"	300
208	LP Male x Female NPT	3/8"	300
222	LP Male x Female NPT	1/2"	300
385	LP Male x Female NPT	3/4"	300
500	MP Male x Female NPT	3/8"	3000
1671	MP Male x Female NPT	1/2"	3000
15014	MP Male x Female NPT	3/4"	1250
616	HP Male x Female NPT	1/4"	5000
617	HP Male x Female NPT	3/8"	5000

### FITTINGS/REDUCERS

PART NUMBER	DESCRIPTION	PSI
10780	3/8" NPT Female x 1/4" NPT Male	300
7765-1	1" NPT Male x 1" NST Male	300
7765-2	1 1/2" NPT Male x 1 1/2" NST Male	300
10781	1/2" NPT Female x 3/4" Garden Male	300
10782	1/2" NPT Male x 3/4" Garden Male	300
10783	3/4" NPT Male x 3/4" Garden Male	300
10784	1" NPT Male x 1" NPT Male	300
1578	1 1/2" NPT Male x 1 1/4" NPT Female	300

### HOSE STOPS & GUARDS

CHECKBALL	HOSE GUARD	HOSE	OVERALL
PART NUMBER	PART NUMBER	I.D.	O.D.
131	237-1	1/4"	1/2"
633	237-1	1/4" Twin Line	3 1/2"
131-3	237-1	3/8"	2 1/32"
131-4	398-1	1/2"	3/4"
254	-	1/2"	3/4"
430	398-1	3/4"	1"
20214	-	1"	1 9/16"
20215	-	1 1/4"	1 13/16"
20216	-	1 1/2"	2 1/16"
20217	-	2"	2 9/16"

### HOSE KIT



**GARDEN HOSE KIT**  
#15717 - Includes 4 foot inlet hose with female garden swivel and male garden adapter fittings.

### LOCK PIN



**SPRING-LOADED LOCK PIN**  
#20843 - The spring-loaded lock pin assembly is designed to lock and secure the reel, even in mobile conditions over rough terrain

### GEAR GUARDS



#7406 (For 1125 Series) or #7700 (For 1175 Series, 24") or #8176-1 (For 1185 Series, 24") or #8176-2 (For 1185 Series, 28") or #8176 (For 1195 Series) Guards beveled gears or chain and sprocket from dirt and foreign matter, while also protecting operator from injury.

### WELDING CABLE CLAMP



**ELECTRODE HOLDER**  
#7685 - Electrode holder features a six-position jaw pattern and has fully insulated, protected springs.  
**GROUNDING CLAMP**  
#7688 - Not Shown

### ELECTRICAL COMPONENTS



**EXPLOSION PROOF STATIONARY PUSH BUTTON SWITCH**  
#20882 - For 12V D.C. applications, must be used with solenoid. Cast 3/4" N.P.T. hub inlet



**CONTROL VALVE**  
#15212 - Control valve for No. 4 Gast Air Motor available upon request  
#15212-1 - Control valve for No. 6 Gast Air Motor available upon request



**SEALED PUSH BUTTON SWITCH**  
#20876 - Weather proof, dust proof momentary contact. To be used with solenoid



**CIRCUIT BREAKER**  
#20878 - 50 amp automatic reset, circuit breaker. A circuit breaker is recommended for all 12V D.C. explosion proof motors



**VAPOR PROOF JUNCTION BOX**  
#20883 - Includes box cover and gasket, has three 3/4" N.P.T. hubs



**GENERAL PURPOSE REVERSING SWITCH**  
#15210 - For direct starting and reversing of A.C. rewind motor



**SOLENOID RELAY**  
#20877 - 12V D.C. for activating motor



**SWITCH BOX**  
#8281 (Includes #20876, #20877, & #20878 and all parts needed to assemble the entire switch box) - Casing is powder coated crinkle black

### SPEED CONTROLLERS



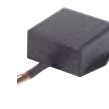
**115/230 AC/VOLT VARIABLE SPEED CONTROLLER**  
#20875 -  
• 10-amp fuse  
• On/off push button switch  
• Forward/reverse feature



**115/230 AC/VOLT VARIABLE SPEED CONTROLLER**  
#20873 -  
• 10-amp fuse



**12 VOLT DC ELECTRIC MOTOR VARIABLE SPEED CONTROLLER**  
#20871 -  
• On/off push button switch relay  
• 50-amp circuit breaker



**ELECTRIC MOTOR SPEED CONTROLLER**  
#20868 - For AC Motors  
#20869 - For DC Motors  
• Reduces speed by 50%



**115/230 AC/VOLT VARIABLE SPEED CONTROLLER**  
#20874 -  
• 10-amp fuse  
• On/off push button switch



**12 VOLT DC ELECTRIC MOTOR VARIABLE SPEED CONTROLLER**  
#20872 -  
• On/off push button switch  
• Relay, 50-amp circuit breaker  
• Forward/reverse feature



**12 VOLT DC ELECTRIC MOTOR VARIABLE SPEED CONTROLLER**  
#20870  
• 50-amp circuit breaker



**HIGH TEMPERATURE DRAG BRAKE**  
#7429-1-4 For 1/2" Models  
#7429-1-5 For 3/4" Models  
• Up to 600° F temperature  
• Replaces standard brake on 1125-4 & 1125-5 models

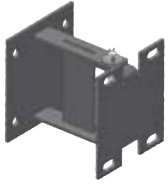


# Reel Accessories

## MOUNTING BRACKETS, ASSEMBLIES, ROLLER BRACKETS & HOSE GUIDES

### MOUNTING BRACKETS

#### SWING BRACKET



For vertical surface mounting, allows reel to swing 180°. Powder coated crinkle black 3/16" steel. Weight: 5 lbs.

PART NO.	FOR SERIES
<b>15720</b>	P, SH, MP & HP, EN, PC, P-W & SHW, P-WC, ALUMI-PRO
<b>15725</b>	T, C

#### SWIVEL BRACKET



For horizontal surface mounting, ball bearing rotation, allows reel to swivel 345°. Powder coated crinkle black heavy gauge steel. Weight: 6 lbs.

PART NO.	FOR SERIES
<b>15721</b>	P, SH, MP & HP, EN, PC, P-W & SHW, P-WC, ALUMI-PRO, T, C

#### EZ-UP BRACKET



Reel easily slides in & out for easy overhead mounting. Use as an alternative to the #MR-1. Must be ordered with #15724 for "I" or "H" beam installations. Weight: 6.5 lbs.

PART NO.	FOR SERIES
<b>15723</b>	P, SH, MP & HP, EN, PC, P-W & SHW, P-WC, ALUMI-PRO,

#### EZ-UP "I" OR "H" BEAM ADAPTER



Must be ordered with #15723. Powder coated crinkle black, all steel construction. Weight: 5 lbs.

PART NO.	FOR SERIES
<b>15724</b>	P, SH, MP & HP, EN, PC, P-W & SHW, P-WC, ALUMI-PRO

### MOUNTING BRACKETS *Con't*

#### MOUNTING BRACKET



For overhead mounting, fits 3" to 8 1/2" flange on "I" or "H" beam. Powder coated crinkle black 3/16" bent steel. Weight: 13 lbs.

PART NO.	FOR SERIES
<b>MR-1</b>	P, SH, MP & HP, EN, PC, ALUMI-PRO, P-W & SHW, P-WC
<b>MRT-1</b>	T, C

### HOSE GUIDES

#### PIVOTING HOSE GUIDE



Heavy gauge powder coated steel arm & pivot mount w/5 locking positions. Stainless steel enclosed 4-way roller system and zinc plated axle for non-corrosive performance. Specify drum width. (For motor options E & ED only). Weight: 17 lbs.

PART NO.	FOR SERIES	POSITION
<b>15732</b>	1125	BOTTOM
<b>15733</b>	1125	TOP

#### PIVOTING HOSE GUIDE



Heavy gauge powder coated steel arm & pivot mount w/5 locking positions. Large 1" diameter pivot shaft. Sealed precision bearings support pivot shaft & chrome-plated billet aluminum guide rollers. Specify drum width. (For motor options E & ED only). Weight: 17 lbs.

PART NO.	FOR SERIES	POSITION
<b>15728</b>	1175, 1185, 1195	BOTTOM
<b>15729</b>	1175	TOP
<b>15730</b>	1185, 1195	TOP

#### SLIDING HOSE GUIDE

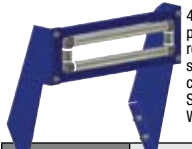


4-way, solid black delrin roller assembly, smooth tapered handle, non-corrosive zinc plated solid rods, heavy gauge "CPC" powder coated steel framing, specify drum width, Weight: 8 lbs.

PART NO.	FOR SERIES
<b>15734</b>	1125

### 4-WAY ROLLER BRACKET ASSEMBLIES

#### TOP REWIND ASSEMBLY

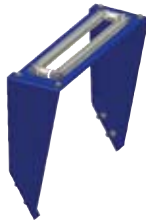


4-way enclosed pinch-proof stainless steel rollers are 1" in diameter supported by powder coated steel brackets. Specify drum width. Weight: 10 lbs.

PART NO.*	FOR SERIES
<b>15353</b>	1125, 1275, 1125WCL
<b>15355</b>	1275W-C
<b>15357</b>	1175
<b>15357-11.5</b>	1175-V
<b>15368</b>	1195 (28")
<b>15368-1</b>	1195 (32")
<b>15369</b>	1185 (24")
<b>15369-1</b>	1185 (28")

\*Suffix roller bracket part number with drum width dimension. (Example: 11.5 for 11.5")

#### TOP REWIND ASSEMBLY



**FOR CEILING MOUNT APPLICATIONS**  
4-way enclosed pinch-proof stainless steel rollers are 1" in diameter supported by powder coated steel brackets. Specify ceiling mount & specify drum width. Weight: 10 lbs.

PART NO.*	FOR SERIES
<b>15358</b>	1125, 1275, 1125WCL

#### BOTTOM REWIND ASSEMBLY



4-way enclosed pinch-proof stainless steel rollers are 1" in diameter supported by powder coated steel brackets. Specify drum width. Weight: 10 lbs.

PART NO.*	FOR SERIES
<b>15037</b>	1175
<b>15037-11.5</b>	1175-V
<b>15354</b>	1125, 1125WCL, 1275
<b>15370</b>	1195
<b>15370-1</b>	1185

\*Suffix roller bracket part number with drum width dimension. (Example: 11.5 for 11.5")

#### TOP REWIND ASSEMBLY



**FOR CEILING, WALL OR FLOOR MOUNT APPLICATIONS**  
4-way enclosed pinch-proof stainless steel rollers are 1" in diameter supported by powder coated steel brackets. Specify ceiling mount & specify drum width. Weight: 10 lbs.

PART NO.*	SIZE	FOR SERIES
<b>20458 &amp; 8100</b>	For 3/8" - 3/4"	SP, DP
<b>20458 &amp; 8101</b>	For 1" - 1 1/2"	SP, DP
<b>20458-724 &amp; 8101-7.5</b>	For 1" - 1 1/2"	SP-V, DP-V

### 3-WAY ROLLER BRACKET ASSEMBLIES

#### TOP REWIND ASSEMBLY

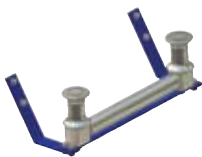


3-way open spool roller assembly with 1.5" chrome-plated machined steel spools and 1.5" stainless steel tubing bottom roller and powder coated steel brackets. Specify drum width. Weight: 14 lbs.

PART NO.*	FOR SERIES
<b>15359</b>	1125, 1275
<b>15360</b>	1175, 1185 (24")
<b>15360-11.5</b>	1175-V
<b>15361</b>	1185 (28")

\*Suffix roller bracket part number with drum width dimension. (Example: 11.5 for 11.5")

#### BOTTOM REWIND ASSEMBLY



3-way open spool roller assembly with 1.5" chrome-plated machined steel spools and 1.5" stainless steel tubing bottom roller and powder coated steel brackets. Specify drum width. Weight: 14 lbs.

PART NO.*	FOR SERIES
<b>15362</b>	1125, 1275
<b>15363</b>	1175, 1185 (24")
<b>15363-11.5</b>	1175-V
<b>15364</b>	1185 (28")

### 4-WAY ROLLER BRACKET

#### CABINET MOUNTED ROLLER BRACKET



Heavy gauge steel, powder coated Coxreels blue (4RB) Available in stainless steel (4RB-SS). Weight: 1 lbs.

PART NO.	SIZE I.D.	FOR SERIES
<b>4RB</b>	For 1/4" - 3/4"	S
<b>4RB-SS</b>	For 1/4" - 3/4"	S



**Contact Your Sales Representative Or The Factory Today.**

We have Trained Professionals To Help With All Your Special Needs.



## O-RING COMPATIBILITY CHART

Intended as a general guideline only. Users must test under their own operating guidelines to determine suitability. Please consult factory if your application is not listed.

1 = Recommended 2 = Fair 3 = Poor 4 = Unsatisfactory X = Unknown

PRODUCT TO BE HANDLED	BUNA/ NITRILE	EPR/ EPDM	VITON/ FKM	AFLAS
ACETYLENE	1	1	1	X
AIR & WATER (Below 20° F)	1	1	1	1
AIR & WATER (200° F - 300° F)	3	2	1	1
AIR & WATER (300° F - 400° F)	4	4	1	2
ANTIFREEZE	1	1	1	1
FUEL	1	4	1	2
HYDROCHLORIC ACID	2	2	1	1
OIL	1	4	1	1
NATURAL GAS	1	4	1	X
NITROGEN	1	1	1	X
OXYGEN (200° F - 300° F)	4	4	2	X
OXYGEN (Cold)	2	1	1	1
PESTICIDES	2	4	1	1
STEAM (Below 400° F)	4	1	4	2
SEWAGE	1	1	1	1
SEA WATER	1	1	1	1
WATER	1	1	2	1

- 90° Swivels In 1 1/2" Are Available In Viton, Or Aflas Seals
- 90° Swivels In 2" Are Available In Buna, Or Viton Seals
- Stationary Swivels In 1 1/2" Are Available In Buna, Viton, Or EPR Seals
- Swivels In 1/4", 3/8", 1/2", 3/4" & 1" Are Available With Buna, EPR, Or Viton Seals
- 90° Swivels In 1" Are Available With The Aflas Or Viton Seals

## Distributors

### MERCHANDISING DISPLAY

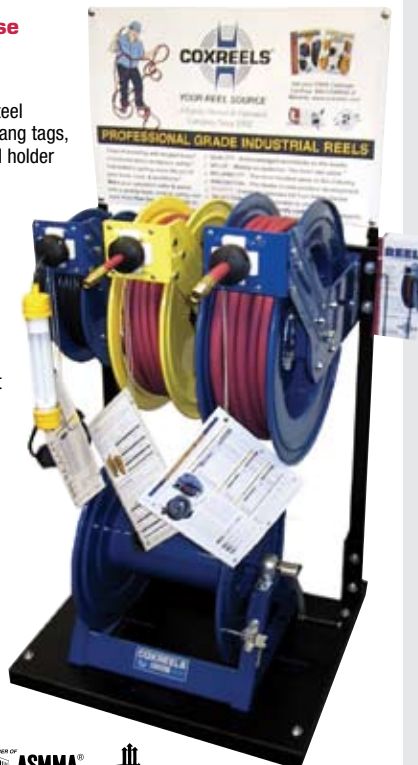
#### COXREELS Point of Purchase Merchandising Display is a proven "Sales Generator."

INCLUDES: Heavy-duty powder coated steel display rack, full color product specific hang tags, tri-fold brochures with mountable tri-fold holder & full-color display banner!

- ✓ Safe & Simple Demonstration Tool
- ✓ Creates Visual Impulse Purchases
- ✓ Mix & Match Up To Four Coxreels Models
- ✓ Durable Crinkle Black Powder-Coat Finish
- ✓ Adjustable Leveling Feet To Prevent Rocking
- ✓ Fast & Easy To Assemble
- ✓ No Additional Parts Necessary
- ✓ Offered Exclusively By Coxreels

**Dimensions:** 27" W x 58" H x 24" D  
**Weight:** 50 lbs

To get a P.O.P. display working for you, call Coxreels Customer Service Department at 1-800-269-7335



MEMBERS OF: PEI EQUIPMENT, NAHAD, ASHMA, INDUSTRIAL STRUCTURES

## TWO-YEAR LIMITED WARRANTY



Products manufactured by Coxreels are warranted for a period of two years from the date of sale to original purchaser. If within such warranty period any such equipment is proved, to Coxreels' satisfaction, to be defective, Coxreels shall be liable for the repair or, at Coxreels' option, replacement when the product is returned, freight prepaid, to Coxreels' plant or a Coxreels' service dealer. Coxreels' obligation hereunder shall be confined to such repair or replacement and shall be further conditioned upon Coxreels receiving written notice of any alleged defect within ten days after its discovery. Coxreels assumes no responsibility for improper choice of models or where products are used in excess of rated capacities and design functions, or under abnormal conditions. We make available a free engineering service to help with any product selection, application or problem.

Warranty is void if the product or any part thereof has been tampered with, altered, or repaired by other than authorized service personnel. Coxreels' responsibility ceases upon delivery to any common carrier, and we do not, unless previously instructed, insure shipments beyond point of delivery to such carrier. Any products, components or accessories that are not manufactured by Coxreels and are supplied by other manufacturers are subject to their respective guarantees or warranties. Certain products will carry their own warranties. Equipment specially built to customers' specifications and requirements is not subject to cancellation nor returnable for credit under any condition. We reserve the right to modify or alter materials, dimensions, design and construction, when necessary, to improve performance.

### STATEMENT OF HOSE APPLICATIONS

Coxreels does not manufacture any hose. All hose supplied by Coxreels is selected from reliable commercial sources and is recommended for application on the basis of data supplied by the manufacturer. Coxreels assumes no responsibility for any other application or use. Hose supplied by Coxreels carries the warranty as listed by the manufacturer (90 days).

### TERMS

- Net 30 days on approved credit • Minimum billing \$25.00
- Service charge 1 1/2% on past due accounts

### FREIGHT

- F.O.B. Factory • Our responsibility ceases upon delivery to common carrier. Consignee must file claim for shortage and damaged freight with the carrier.

### DELIVERY

- Most standard items are shipped in five business days or less. Consult customer service for availability.

### ATLANTA WAREHOUSE

- All shipments from Atlanta Warehouse will be limited to four units and will incur no handling charge.

## RETURN POLICY

### RETURNS

- No material will be accepted for return without written authorization by the factory, and a return goods authorization number assigned. Materials must be returned prepaid. A 20% restocking fee and a \$5.00 repacking charge normally applies. No material will be accepted for a credit after one year from the date of purchase. Custom products and special orders are not returnable.

### COXREELS' CUSTOMER SERVICE - 1-800-269-7335

Call and request a returned goods authorization number (RGA #). Warranty claims must be made by authorized Coxreels distributors. Be prepared to give the following information: product model number, serial number and purchase invoice number.

- Replacement parts ordered will be invoiced to your account.
- Once given an RGA #, you must write it on all boxes and paperwork. Coxreels will not accept your return without an RGA #.
- Upon receiving the return, if it is determined to be covered under warranty, a credit memo will be issued and mailed to you for your records.



Toll Free 800-COX-REEL • Fax 800-229-REEL • Int 480-820-6396 • Fax 480-820-5132 • [www.coxreels.com](http://www.coxreels.com)





**Your Reel Source**  
www.coxreels.com

Authorized COXREELS® Reseller/Distributor

USA MADE – USA QUALITY – USA SUPPORT

**800-COX-REEL**

Toll Free Fax **800-229-REEL**

Int: 480-820-6396 • Fax: 480-820-5132 • Email: info@coxreels.com  
6720 South Clementine Court, Tempe, Arizona 85283



CATALOG #EZ



Coxreels Offers A Wide Selection Of Quality Hose, Cord & Cable Reels Featuring Our...

**PATENTED EZ-COIL™ REWIND SAFETY SYSTEM**

Call To Order Your FREE Coxreels Safety Series Catalog #EZ Today!