

# Central Hydraulics Inc.

**EATON**  
Aeroquip



Specializing in sales and repairs  
of hydraulic hose, pumps, motors,  
cylinders, valves, & components

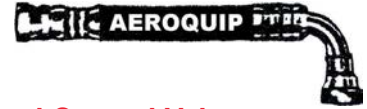


**MANUFACTURERS**

- AEROQUIP
- APSCO INC
- ALEMITE
- BAND-IT
- BOSTON
- BRAND HYDRAULICS
- BUCHER
- BVA HYDRAULICS
- CROSS MFG
- CURTIS TOLEDO
- DAMAN
- DELTROL
- DIXON
- DK-LOK
- DONALDSON
- DYNAMIC
- HYBEL
- VACUFORCE
- FILL-RITE
- FOSTER
- GRACO
- HANNAY
- HEDLAND & FLO-TECH
- HOSTRACT REELS
- HUSKY
- HYDRA-MOUNT
- HYDRAULICS INC
- HYVAIR
- KURIYAMA - PIRANHA
- MILTON INDUSTRIES
- NYCOIL - RECTUS - TEMA
- PERMCO
- SPX STONE
- STUCCHI
- SUPER SWIVELS
- SUTTNER
- WHITE DRIVE PRODUCTS
- YUKEN
- ZERO-MAX/ HELLAND
- HYFLOW CONTROLS
- HEAVY MOTION

**PRODUCTS OFFERED**

- Hose, Fittings, Adapters, Flexmaster Joints
- Pneumatic Valves - Electric and Manual
- Lube Equipment & Fluid Handling Products
- Punch Type Clamps & Tools
- Air, Water, Fuel, Chemical Hose
- Valves, Stackable, Mono Block
- Monoblock & Sectional Directional Control Valves
- High Pressure Pumps & Rams to 10k psi
- Cylinders, Valves, Gear Pumps & Motors
- Air Compressors
- Hydraulic Valve Manifolds
- Needle, Flow Control, Check & Cartridge Valves
- Valves, Couplings, Camlocks
- Instrumentation Fittings & Valves
- Hydraulic Filters & Components
- Pressure Gages, High Pressure Ball Valves
- Gear Pumps & Gear Motors
- Filters Regulators & Lubricators
- Fuel Transfer Pumps & Meters
- Water & Air Disconnects
- Bulk Fluid and Grease Dispensing Air Pumps
- Best Quality Hose Reels for Industry
- Testers & Flow Meters for Liquid, Air & Compressed Gases
- Economical Hose Reels
- Fuel Nozzles & Accessories
- Pump/Motor Mounting Brackets
- Full Time Hydraulic 3000psi Live Swivels
- NFPA Valves and Accessories
- Sewer Cleaning Hose
- Air Accessories & Fittings
- European Quick-Connect Couplings
- Gear Pump, Motors, & Dump Pumps
- AC/DC Hydraulic Power Units
- Hydraulic Quick-Disconnect Couplers
- Live Swivels Oil, Water & Air up to 5000psi
- Pressure Washer Accessories
- LSHT Motors and Brakes
- Solenoid Operated Directional Control Valves
- Overhung Load Adapters
- Replaces DVA-20 & DVA-35 Valves
- Gear Pumps & Parts



Kuriyama of America, Inc.



**Central Hydraulics Inc.**

**386-253-2568**

1580 North Nova Road  
Daytona Beach, FL 32117

www.Cenhyd.com  
Tampa Ocala Leesburg Cocoa

---

# About Central Hydraulics, Inc.

---

Central Hydraulics has been involved in the Hydraulic repair and supply business since 1983. We are factory direct with over 150 product lines in the hydraulic industry to bring the best availability of products and services to our customers. We have five locations in Florida to be able to keep up with the hydraulic sales and repair demand of the southeast while also becoming a worldwide hydraulic component supplier.

Central Hydraulics is a Premier Aeroquip hose and fitting distributor. We offer all of our customers the best prices available and supply a wide variety of hydraulic components. We boast our repair facilities with having state of the art machinery and testing equipment. Central Hydraulics stocks chrome hydraulic rod up to 6" O.D. and honed seamless hydraulic pistons, rods, and have the expertise and specialized machinery to fabricate any custom cylinder. Central Hydraulics keeps an inventory of over 50 different styles of refuse cylinders and hydraulic pumps. This allows us not to have to rely on long lead times from OEM manufacturers, enabling our customers to be back in business with minimal down-time to increase profits and productivity. We pride ourselves in our fast response and shipping times for your cylinder repair and hydraulic related requirements. We also stock a large inventory hydraulic pumps, motors, valves, cylinders, and can bend hydraulic tubing per the customer samples. Enclosed is our product line card showing just a few of the high quality products we stock and supply to our customers. We look forward to supplying your company with the best products and services that Central Hydraulics has to offer.

**Central Hydraulics  
& Equipment, Inc.**

2195 W King St  
Cocoa, FL 32926

**T: (321) 639-9967**  
**F: (321) 636-3156**

**Central Hydraulics  
& Equipment, Inc.**

820 Thomas Ave  
Leesburg, FL 34748

**T: (352) 323-8008**  
**F: (352) 323-8533**

**Central Hydraulics of  
Ocala, Inc.**

1661 NW 58th Ln  
Ocala, FL 34475

**T: (352) 840-0842**  
**F: (352) 840-0858**

**Global Hose  
& Hydraulics, Inc.**

4401 E Broadway Ave  
Tampa, FL 33605

**T: (813) 242-4673**  
**F: (813) 248-3560**

**Central Hydraulics, Inc.**

1580 North Nova Rd.  
Daytona Beach, FL 32117

**T: (386) 253-2568**

**F: (386) 257-5728**

[cenhyd@gmail.com](mailto:cenhyd@gmail.com)

# CENTRAL HYDRAULICS INC.

•Daytona Beach •Cocoa •Leesburg •Ocala •Tampa 1-800-264-9571

## Table of Contents

### CARTRIDGE VALVES AND BLOCKS

<i>Deltrol Cartridge Valves</i> .....	37-44
<i>Deltrol Aluminum Cartridge Blocks</i> .....	45-46

### CONTROLS

<i>Hyflow</i> .....	76
---------------------	----

### COUPLINGS

<i>FlexMaster</i> .....	5
-------------------------	---

### DIRECTIONAL CONTROL VALVES

<i>Deltrol Needle and Flow Control</i> .....	28
<i>Cross Hydraulic Valves</i> .....	29
<i>Bucher Monoblock &amp; Sectional</i> .....	30-34
<i>Brand 45GPM</i> .....	35
<i>Yuken Electrical</i> .....	36

### FILTERS

<i>Spin-On Filters</i> .....	20-21
<i>Low to Medium Pressure Filters</i> .....	22
<i>High Pressure Filters</i> .....	23
<i>Suction Strainers</i> .....	24
<i>Donaldson Filter Spread Sheet</i> .....	25

### FITTINGS

<i>Aeroquip JIC, NPT, ORB Fittings</i> .....	8
<i>Stainless Steel Products</i> .....	9

### FLOW METERS AND GAGES

<i>Hedland Flow Meters</i> .....	26
<i>Dynamic Gauges</i> .....	27

### FUEL NOZZLES

<i>Husky Fuel Nozzles</i> .....	71
---------------------------------	----

### HOSES

<i>Hydraulic Hoses</i> .....	1-3
<i>Silicone Hose</i> .....	4
<i>Synflex 30-CT</i> .....	6

### HOSE PROTECTION / SLEEVES

<i>Hose Wraps</i> .....	6
-------------------------	---

### HOSE REELS

<i>Alemite Heavy Duty Reels</i> .....	7
---------------------------------------	---

### LIFT GATE MOTORS

<i>Monarch, SPX, Maxon</i> .....	63
----------------------------------	----

### OVERHUNG LOAD ADAPTERS

<i>Ohla</i> .....	73-74
-------------------	-------

### POWER UNITS

<i>Auto Hoist</i> .....	12
<i>Auto Hoist for Tire Changer</i> .....	13
<i>Dump Trailer</i> .....	14
<i>Tail Gate, Truck Mounted Crane, Dump Truck</i> .....	15
<i>Auxiliary Power Units</i> .....	16
<i>Solenoids and Switches</i> .....	17

### PUMPS AND ACCESSORIES

<i>Permco Dump Pumps</i> .....	53
<i>Hydraulic Gear Pumps</i> .....	54-60
<i>Graco/Alemite Double Diaphragm Pump</i> .....	64
<i>Graco Oil and Grease Pumps</i> .....	65-70
<i>Gear Pump Formulas &amp; System Data</i> .....	61-62

### RESERVOIRS

<i>Steel Weld on</i> .....	75
<i>Transitional Steel</i> .....	18
<i>Round Steel</i> .....	18
<i>Offset Plastic</i> .....	19
<i>Square Plastic</i> .....	19

### SOLENOID COIL DATA

<i>Deltrol Solenoid Coil Data</i> .....	47-48
---	-------

### SWIVLE JOINTS

<i>Super Swivels</i> .....	10
<i>Hydraulics Inc High Pressure Swivels</i> .....	11

### WHITE DRIVE PRODUCTS

<i>Hydraulic Motors and Brakes</i> .....	49-52
--	-------

# CENTRAL HYDRAULICS INC.

•Daytona Beach •Cocoa •Leesburg •Ocala •Tampa 1-800-264-9571

## Hydraulic Hoses



Part#	MAX PSI	Min.Bend Radius (in)
GH781-4	6500	2.00
GH781-6	5300	2.50
GH781-8	4500	3.50
GH781-10	4000	4.00
GH781-12	3500	4.75
GH781-16	3000	6.00
GH781-20	2500	8.25
GH781-24	2000	10.0
GH781-32	1600	12.5

**Two Wire** Meets or Exceeds SAE 100R16 Type S, EN857 2SC, ISO 11237-1 Type 2SC -40 degrees F. to +212 degrees F. Uses: Hydraulic system service with petroleum and water-base fluids, for general industrial service.



Part#	MAX PSI	Min.Bend Radius (in)
GH793-4	6500	4.00
GH793-6	5800	5.00
GH793-8	5000	7.00
GH793-10	4000	8.00
GH793-12	3500	9.50
GH793-16	3000	12.00
GH793-20	2500	16.5
GH793-24	2000	20
GH793-32	1600	25

**Two Wire** Meets or Exceeds SAE 100R2AT Type S, EN853 2SC, ISO 1436-1 Type 2SN -40 degrees F. to +212 degrees F. Uses: Hydraulic system service with petroleum and water-base fluids, for general industrial service.



Part#	MAX PSI	Min.Bend Radius (in)
GH663-4	3700	4.00
GH663-6	3400	5.00
GH663-8	2900	7.00
GH663-12	2000	9.50
GH663-16	1500	12.00
GH663-20	1000	16.50
GH663-24	750	20.00
GH663-32	600	25.00

**One Wire** SAE 100R1AT Type S, EN853 1SC, ISO 1436-1 Type 1SN -40 degrees F. to +212 degrees F. Uses: Hydraulic system service with petroleum and water-base fluids, for general industrial service.

# CENTRAL HYDRAULICS INC.

•Daytona Beach •Cocoa •Leesburg •Ocala •Tampa 1-800-264-9571

## Hydraulic Hoses



Part#	MAX PSI	Min.Bend Radius (in)
<b>GH120-4</b>	6000	2.00
<b>GH120-6</b>	5000	2.50
<b>GH120-8</b>	4500	3.50
<b>GH120-10</b>	4000	4.00
<b>GH120-12</b>	3000	4.75
<b>GH120-16</b>	2800	12.00

**Two Wire** Meets or Exceeds SAE 100R2AT Type S, EN853 2SN, ISO 1436-1 Type 2SN -40°F. to +300°F. Uses: Hydraulic system service with petroleum, fire resistant and water-base fluids, fuel and lubricating systems.



Part#	MAX PSI	Min.Bend Radius (in)
<b>GH493-6</b>	6500	2.50
<b>GH493-8</b>	6000	3.50
<b>GH493-10</b>	6000	4.00
<b>GH493-12</b>	5500	4.75
<b>GH493-16</b>	5100	6.00
<b>GH493-20</b>	4500	8.25
<b>GH493-24</b>	4000	10.00
<b>GH493-32</b>	4000	12.50

**Four Spiral Wire** SAE 100R12, EN 856 Type R12 -40°F to +250°F. Hydraulic system service with petroleum and water-base fluids, for general industrial service.



Part#	MAX PSI	Min.Bend Radius (in)
<b>FC254-08</b>	7700	8.00
<b>FC254-12</b>	7200	11.00
<b>FC254-16</b>	5900	12.00
<b>FC254-20</b>	5100	16.50
<b>FC254-24</b>	4350	20.00

**Four Heavy Spiral Wire** Exceeds SAE 100R11, EN 856 4SP -40°F to +250°F. Hydraulic system service with petroleum and water-base fluids, for general industrial service.



Part#	MAX PSI	Min.Bend Radius (in)
<b>FC273-20</b>	5000	16.50
<b>FC273-24</b>	5000	20.00

**Six Heavy Spiral Wire** SAE 100R13, EN 856 Type R13 -40°F to +250°F. HYdraulic system service with petroleum and water-base fluids, for general industrial service.

# CENTRAL HYDRAULICS INC.

•Daytona Beach •Cocoa •Leesburg •Ocala •Tampa 1-800-264-9571

## Hydraulic Hoses



Part#	Max. PSI	Hose I.D. (in)	Min. Bend Radius (in)
FC300-4	3000	0.19	3.00
FC300-5	3000	0.25	3.38
FC300-6	2250	0.31	4.00
FC300-8	2000	0.41	4.62
FC300-10	1750	0.50	5.50
FC300-12	1500	0.63	6.50
FC300-16	800	0.88	7.38
FC300-20	625	1.12	9.00
FC300-24	500	1.38	10.50
FC300-32	300	1.81	13.25

### FLEET TRUCK HOSE

#### Single Wire Braid

DOT Fuel, Hot Oil, Air Brakes

Exceeds 100R5 -55°F to +300°F

\*Except air +250°F



Part#	Max. PSI	Hose I.D.	Min. Bend Radius (in)
FC234-5	1500	0.25	1
FC234-6	1500	0.31	1.25
FC234-8	1250	0.41	1.75
FC234-10	1250	0.50	2.25
FC234-12	750	0.63	2.75
FC234-16	400	0.88	3.5

### High Temperature Fuel and Oil

Fire Resistant USC G/

MMT, NMMA/BIA -40°F to

+300°F.



Part#	Max. PSI	Hose I.D.	Min. Bend Radius (in)
FC332-4	250	0.25	3
FC332-6	250	0.31	3
FC332-8	250	0.41	5
FC332-10	250	0.50	6
FC332-12	250	0.63	7

### Textile Braid

Gasoline, Diesel, Oil/vv

-40°F to +300°F.

\*Except air +250°F. Water +180°F.

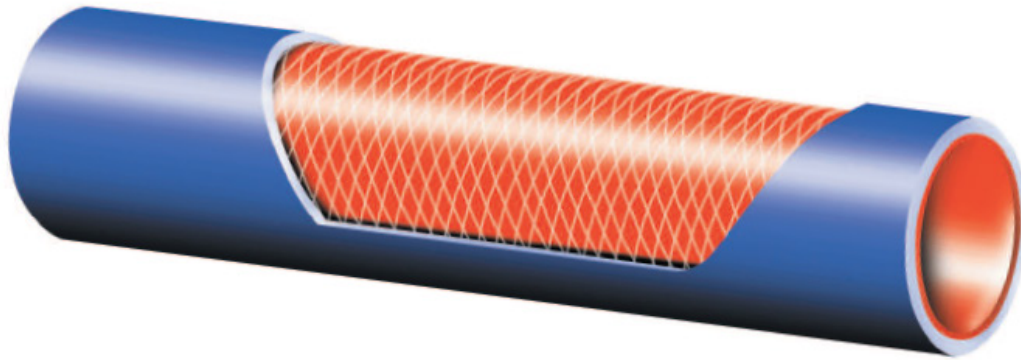
# CENTRAL HYDRAULICS INC.

•Daytona Beach •Cocoa •Leesburg •Ocala •Tampa 1-800-264-9571

## Silicone Hose

### 1-Ply Silicone Heater Hose

Extruded heater hoses meet or exceed the requirements of the SAE J20 R3 Class A specification. The silicone hoses are reinforced with polyester fabric. An aramid fiber reinforcement is available for high temperature applications up +500°F. Heater hoses are resistant to coolant solutions, cold leaks, racking, peeling, aging and ozone. **Color Blue.**



<b>Temperature - Low/High</b>	- 65°F to +350°F
<b>Abrasion - Interior/Exterior</b>	Good/Good
<b>Flexibility</b>	Excellent
<b>Pressure</b>	Positive
<b>Chemical</b>	Good
<b>Standard Length</b>	25' to 50' (Heater)
<b>Size - ID</b>	.250" to 1.25" ID

### Applications

Standard equipment on trucks, cars and buses.

**Not** recommended for fuel or oil transfer use.

### 1-Ply Silicone Heater Hose

Diameter (I.D.)	Diameter (O.D.)	Part #	Burt Pressure P.S.I.	Operating Pressure P.S.I.	Weight lb/ft
.250	.56	5526-025	250	60	.12
.375	.69	5526-038	250	60	.18
.500	.81	5526-050	250	60	.24
.625	.93	5526-062	250	60	.28
.750	1.06	5526-075	200	50	.34
1.00	1.36	5526-100	175	40	.46
1.25	1.58	5526-125	175	40	.49

**FEDERAL HOSE**<sup>®</sup>  
Since 1921

CENTRAL HYDRAULICS INC.

•Daytona Beach •Cocoa •Leesburg •Ocala •Tampa 1-800-264-9571

---

Flexmaster

**1-800-264-9571**



**Eaton Aeroquip  
Flexmaster Pipe and Tube Couplers  
In Stock at the best prices available.**



# CENTRAL HYDRAULICS INC.

•Daytona Beach •Cocoa •Leesburg •Ocala •Tampa 1-800-264-9571

## Hose Sleeves and Wraps

### Heavy Wall High Density Spiral Hose Wrap

#### Advantages:

- ADDS CRUSH PROTECTION
- ABRASION PROTECTION
- BUNDLES HOSES
- EASY TO INSTALL



RATED FROM -180°F TO 250°F



BLACK WRAP IS **IN STOCK**.  
CUT LENGTHS AVAILABLE.

6 Other colors available in  
BOX QUANTITIES ONLY.

Part #	I.D. Inches	Box Quantity
93050	1/2" #4 Hose(1/4")	100 F.T.
93075	3/4" #6 Hose (3/8")	100 F.T.
93100	1" #8 & #10 Hose (1/2n & 5/8")	100 F.T.
93125	1-1/4" #12 Hose (3/4")	100 F.T.
93150	1-1/2" #16 & #20 Hose (1" & 1 Y4")	100 F.T.
93200	2" #24 Hose (1 1/2")	50 F.T.
93250	2-1/2" #32 Hose (2")	50 F.T.
93300	3" Used Mainly For Bundling	50 F.T.
93350	3-1/2" Used Mainly For Bundling	30 F.T.
93400	4" Used Mainly For Bundling	30 F.T.
93600	6" Used Mainly For Bundling	20 F.T.



# CENTRAL HYDRAULICS INC.

•Daytona Beach •Cocoa •Leesburg •Ocala •Tampa 1-800-264-9571

## Hose Reels



### Alemite Heavy Duty Reels



#### **Oil Reel #8078-D**

With hose type:  
1/2" x 50' (1,500psi)

#### **Grease Reel #8078-B**

With hose type:  
1/4" x 50' (5,000psi)

#### **Air/Water Reel #8078-F**

With hose type:  
3/8" x 50' (200psi)

#### **Air/Water Reel #8078-M**

With hose type:  
1/2" x 50' (200psi)

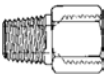

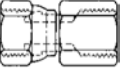
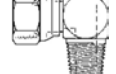
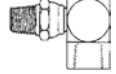
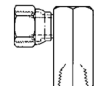
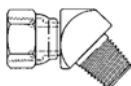
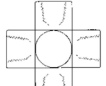
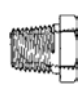
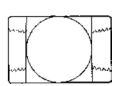
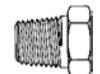

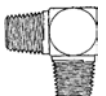

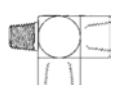
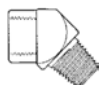
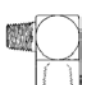

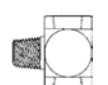


# CENTRAL HYDRAULICS INC.

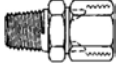
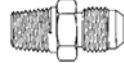
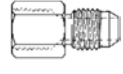
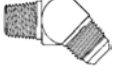

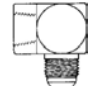


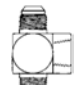
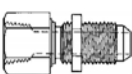

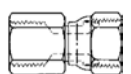

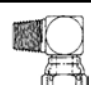
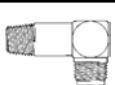
•Daytona Beach •Cocoa •Leesburg •Ocala •Tampa 1-800-264-9571

## Fittings and Adapters


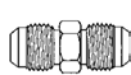

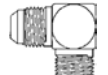
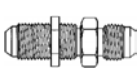
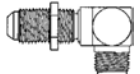
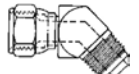
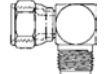
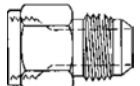
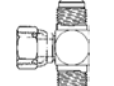
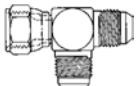
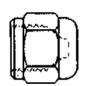

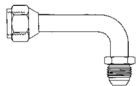
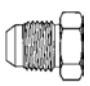
### NPT to NPT FITTINGS

 2040	 2045	 2046	 2047	 2252
 2048	 2049	 2080	 2081	 2096
 2082	 2083	 2085	 2087	 2092
 2088	 2089	 2090	 2091	

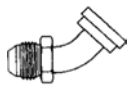

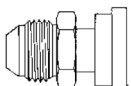
### NPT to JIC FITTINGS

 2018	 2021	 2022	 2023
 2024	 2025	 2028	 2030
 2031	 2239	 2240	 2242
 2249	 2250	 202411	

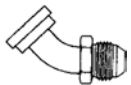
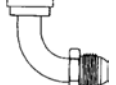
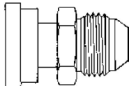
### JIC to JIC FITTINGS

 2020	 2027	 2033	 2039
 2041	 2043	 2070	 2071
 2406	 203101	 203102	 210292
 500454	 504095	 900599	


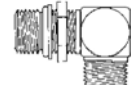
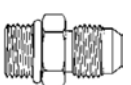

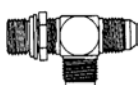
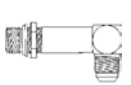
### CODE 61 to JIC

 500023	 500024
 500025	

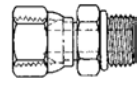

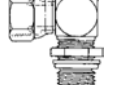

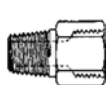
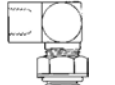
### CODE 62 to JIC

 ff5539	 ff5540
 ff5541	

### ORB to JIC FITTINGS

 2061	 2062	 202702
 203003	 203005	 206209

### NPT to ORB FITTINGS

 2066	 2067	 2068
 2216	 2246	 206801

# CENTRAL HYDRAULICS INC.

•Daytona Beach •Cocoa •Leesburg •Ocala •Tampa 1-800-264-9571

## Stainless Steel Products



**Crimp Fittings**



**Adapters**



**Instrumentation  
Tube Fittings**



**Weld-Ons**



**Hose Barbs**



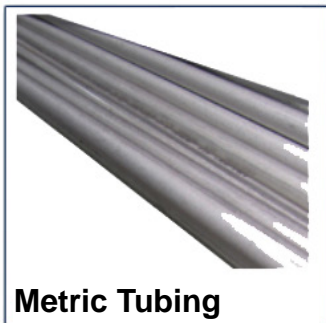
**Push-Ons**



**Reuseable**



**Flange Adapters**



**Metric Tubing**



**Valves**



**Custom Fittings**



**Accessories**

CENTRAL HYDRAULICS INC.

•Daytona Beach •Cocoa •Leesburg •Ocala •Tampa 1-800-264-9571

## Super Swivels



## Hydraulic Live Swivels

5000 psi



## Inline & 90° Swivels

Heavy Duty Ball Bearing, Rebuildable Design

# CENTRAL HYDRAULICS INC.

•Daytona Beach •Cocoa •Leesburg •Ocala •Tampa 1-800-264-9571

## High Pressure Hydraulic Swivel Joints

### "S" Series/In-Line Swivel Joint

**Sizes** - ¼" through 2" pipe size

**Connection types** - JIC, pipe, SAE O-Ring face seal (male & female)

**Operating pressures** - vacuum & to 3,000 PSI

**Operating temperatures** - 40° to 200° F



### "9S" Series/90° Swivel Joint

**Sizes** - ¼" through 2" pipe size

**Connection types** - JIC & O-Ring (male), pipe and SAE O-Ring face seal

(male & female) & pipe union

**Operating pressures** - vacuum & to 3,000 PSI

**Operating temperatures** - 40° to 200° F



### "9SS" Series/Dual Plane Swivel Joint

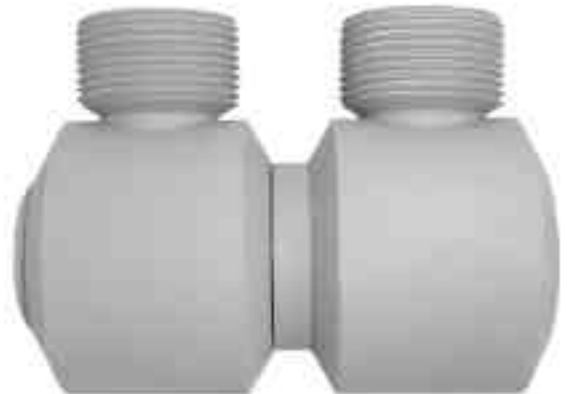
**Sizes** - ¼" through 1¼" pipe size

**Connection types** - JIC & O-Ring (male), pipe & SAE

O-Ring face seal (male & female)

**Operating Pressures** - vacuum & to 3,000 PSI

**Operating Temperatures** - 40° to 200° F



### "18S" Series/180° Swivel Joint

**Sizes** - ¼" through 2" pipe size

**Connection types** - JIC (male), pipe & SAE O-Ring face seal (male & female) & pipe union

**Operating pressures** - vacuum & to 3,000 PSI

**Operating temperatures** - 40° to 200° F



# CENTRAL HYDRAULICS INC.

•Daytona Beach •Cocoa •Leesburg •Ocala •Tampa 1-800-264-9571

## AC HYDRAULIC POWER UNITS

### Auto Hoist

•AC-10AH •AC-10FP-A

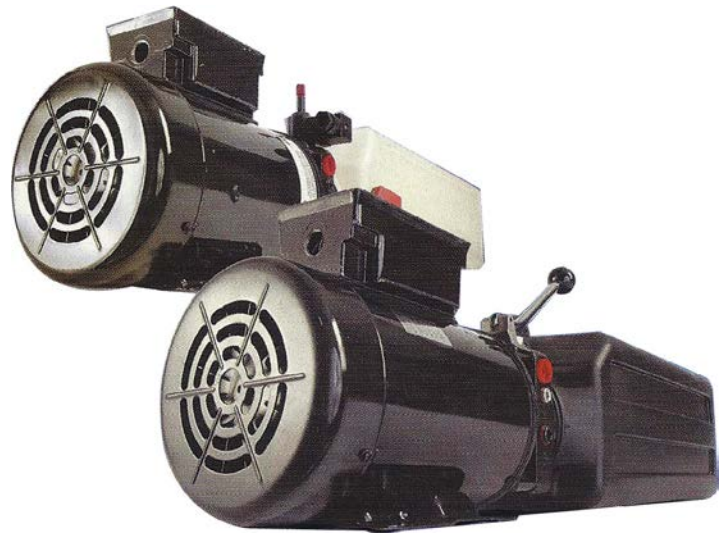
Power Up Button/  
Gravity Down Handle

**AC-10AH 2-POST**

230VAC 2hp 1ph Hoist 1.82gpm  
2750 psi 4gal verticle tank down

**AC-10FP-A 4-POST**

230VAC 3hp 1ph Hoist 2.82gpm  
2450 psi 6.3gal verticle tank down



This power unit is designed specifically for use on 2 and 4 post auto hoists. This is for raise-hold-lower of the lift, with manual control of the lowering speed. A push-button, mounted on the unit, starts the motor to raise the lift. The unit features a fixed relief valve, so the lift cannot be overloaded, but (depending on cylinder size) can be used on most 7000 to 9000 lbs. capacity lifts.

**SPX** **STONE**

# CENTRAL HYDRAULICS INC.

•Daytona Beach •Cocoa •Leesburg •Ocala •Tampa 1-800-264-9571

## AC HYDRAULIC POWER UNITS

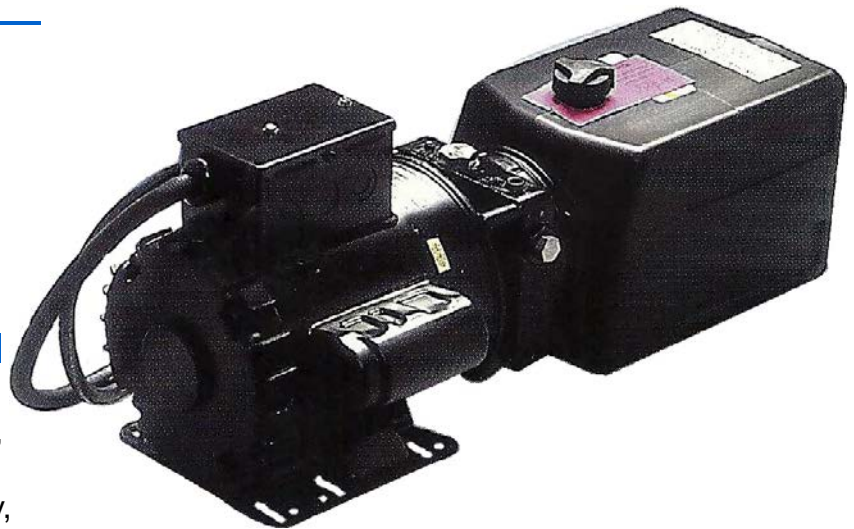
### Auto Hoist for Tire Changer

#### •AC-10TC

#### AC-10TC

115v AC 1PH Auto Hoist for Tire Changer  
Power Up/Gravity Down

3/4HP 115 VAC  
1.5 gal Tank is standard.  
Fixed relief set at 2300 psi.  
#6 ORB 9/16"-18 port  
.73 gpm



This power unit is designed for smaller, low-rise auto hoists and can be mounted either horizontally or vertically, operating on AC power. A push button on the motor starts the unit to raise the vehicle on the lift. To lower, a manually operated cartridge style release valve is used for fingertip control of lowering speed.





# CENTRAL HYDRAULICS INC.

•Daytona Beach •Cocoa •Leesburg •Ocala •Tampa 1-800-264-9571

## DCHYDRAULICPOWERUNITS

### Dump Trailer •DC-41DTC



DC-41DTC-20-25P-25

12V DC Solenoid Operated  
Power Up/Power Down

2.5 gal Poly Tank is standard.  
High Pressure relief set at 2500lbs.  
Low Pressure relief set at 500lbs.  
Complete w/ Electric Controller.  
3/8" NPT Ports

This power unit is designed for use on a double acting dump trailer or dump bed application. Provides power lift-hold-power down operation. It can also be used to operate double-acting cylinder needs. All the Steel or Poly tank options are available in our stock.



**SPX** **STONE**

# CENTRAL HYDRAULICS INC.

•Daytona Beach •Cocoa •Leesburg •Ocala •Tampa 1-800-264-9571

## DC HYDRAULIC POWER UNITS

•Tail Gate •Truck Mounted Crane •Dump Truck  
•DC-20SF



DC-20SF (Base Unit)  
12v DC Solenoid Operated  
Power Up/Gravity Down

Controller Included  
Adj. Relief set at 2500lbs.  
3/8" NPT Ports  
Tank Sold separately

The most common, rugged and reliable piece of truck equipment is the tail gate. The original Stone unit, now manufactured by SPX Fluid Power, has been used by manufacturers of this equipment since the industry began. Our 12V and 24V DC power packs come in manual or solenoid-operated versions for basic power up/gravity down tail gates. Power packs also available for cantilever and tuck-away designs of tail gates. Two button hand control is available for many DC lift/hold/lower applications. Various steel or poly tank sizes can be supplied to suit hydraulic cylinder capacities.



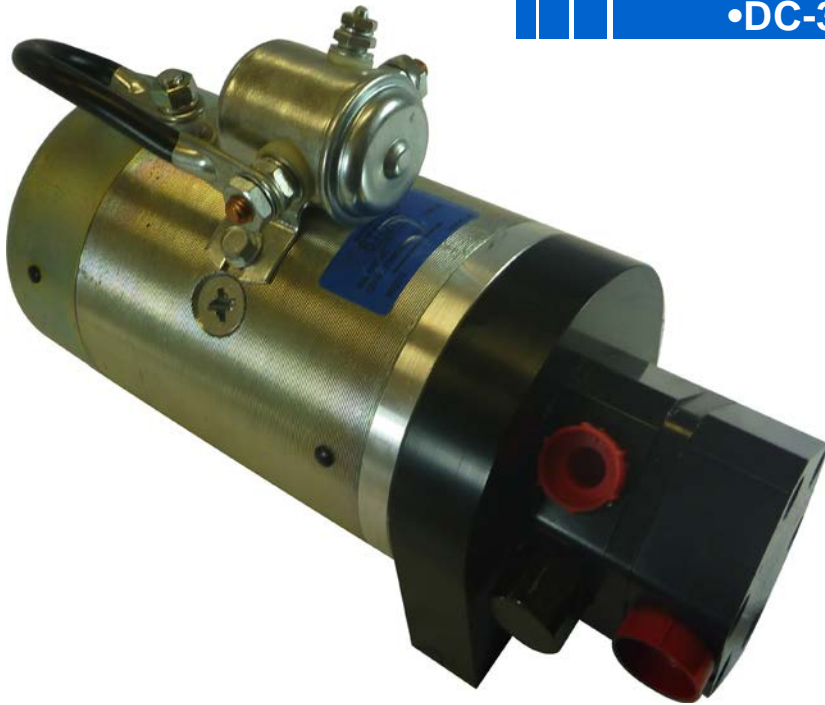
**SPX** **STONE**

# CENTRAL HYDRAULICS INC.

•Daytona Beach •Cocoa •Leesburg •Ocala •Tampa 1-800-264-9571

## DC HYDRAULIC POWER UNITS

### Auxiliary Power Unit •DC-30APU



DC-30APU

12v DC 1T Std. Duty

Check and Adj. Relief set at 2500psi

3/4" SAE Side Inlet

9/16" SAE Side Outlet and Relief  
Drain Ports

2.2 gpm @ 500 psi

1.7 gpm @ 1000 psi

1.4 gpm @ 2000 psi

The power unit is intended to be used with remote directional control valving and reservoir. This unit has an adjustable relief valve and outlet check valve. They are designed for applications such as backup (auxiliary) hydraulic power for truck mounted or the other mobile equipment, including emergency power steering for off-highway vehicles, elevated platforms, aerial buckets and manlifts. It can also be used to power material handling functions and other intermittent duty applications.



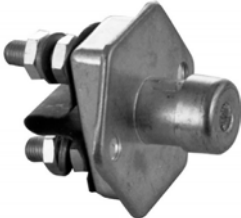






**SPX** **STONE**

# CENTRAL HYDRAULICS INC.

•Daytona Beach •Cocoa •Leesburg •Ocala •Tampa 1-800-264-9571

## Power Units

### Switches and Solenoids

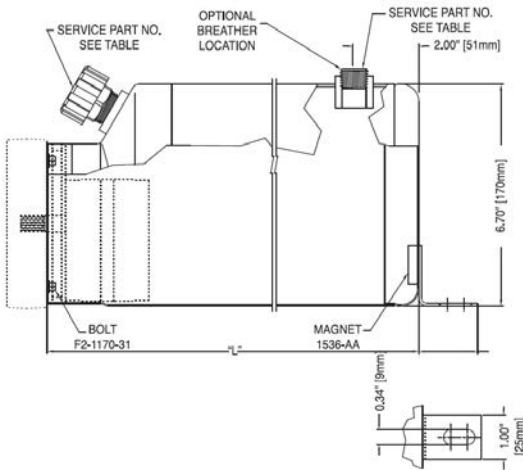
	<b>APL2250</b> Push Button Start Switch	<b>APL3020</b> V3 Post Positive grounded Prestolite Solenoid	
	<b>APL2252</b> Canister Switch, Jam-type mount	<b>APL3051</b> Smart Start Solenoid SPX EF-1070	
	<b>APL3000</b> 3 post, positive to excite, grounded solenoid with flat base.	<b>APL3094</b> 3 Post positive grounded solenoid Maxon	
	<b>APL3004</b> 4 post insulated solenoid with flat base	<b>APL3390</b> Drain Solenoid	
	<b>APL3010</b> 3 post, positive to excite, grounded solenoid with curved base	<b>BPL2250</b> Monarch Canister Switch Screw-type	
	<b>APL3014</b> 4 post insulated solenoid with curved base	<b>BPL2254</b> Canister Switch for Condenser Valve	
		<b>BPL3000</b> 3 post, negative to excite, insulated solenoid with flat base	

# CENTRAL HYDRAULICS INC.

•Daytona Beach •Cocoa •Leesburg •Ocala •Tampa 1-800-264-9571

## RESERVOIRS

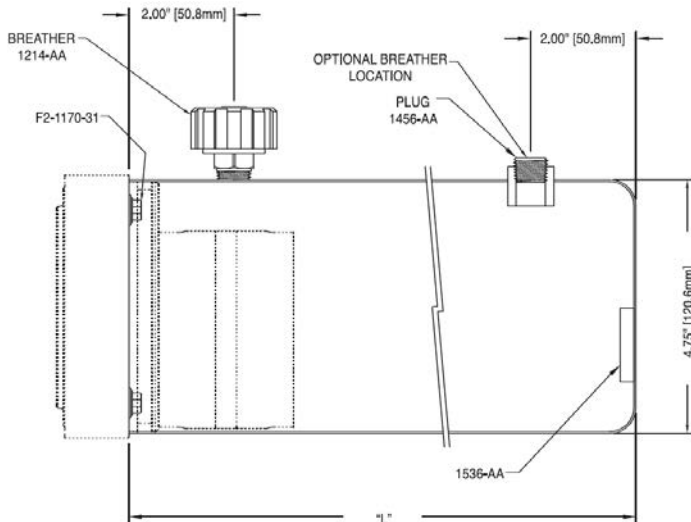
### TRANSITION STYLE STEEL 6.7"/170MM



Kit #	Gallons	Length (in)	Useable Oil Capacity		Breather Part #	Plug Part #
			Vertical (ci)	Horizontal (ci)		
KR40	1.0	7.88	100	170	1214-AA	1465-AA
KR45	1.2	9.84	160	220	1214-AA	1465-AA
KR41	1.5	11.81	220	270	1683-AB	1896-AA
KR42	2.0	15.75	340	360	1683-AB	1896-AA
KR46	2.5	17.00	380	390	1683-AB	1896-AA
KR43	3.0	21.65	520	500	1683-AB	1896-AA
KR44	4.0	26.00	650	600	1683-AB	1896-AA

Foot included on 1.5 gallon and larger.

### ROUND STEEL 4.75"/120MM



Kit #	Quarts	Length (in)	Useable Oil Capacity	
			Vertical (ci)	Horizontal (ci)
KR12	2	8.5	85	90
KR14	3	12.00	138	135
KR15	4	14.50	165	161

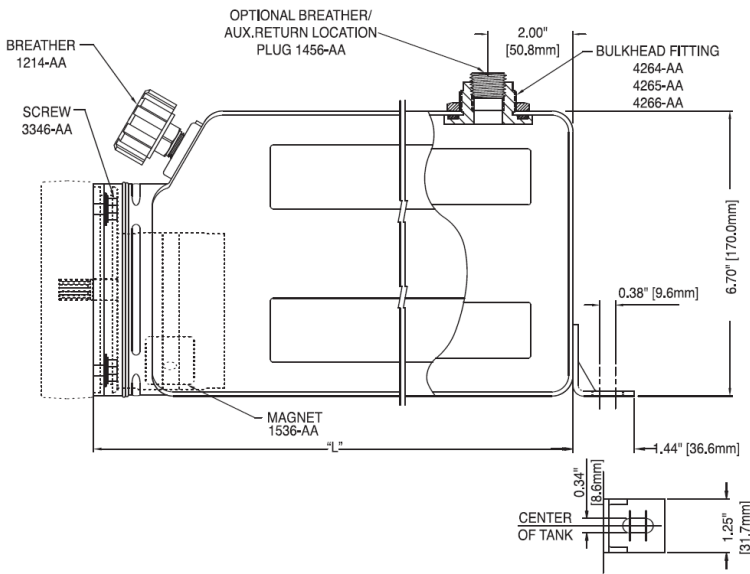


# CENTRAL HYDRAULICS INC.

•Daytona Beach •Cocoa •Leesburg •Ocala •Tampa 1-800-264-9571

## RESERVOIRS

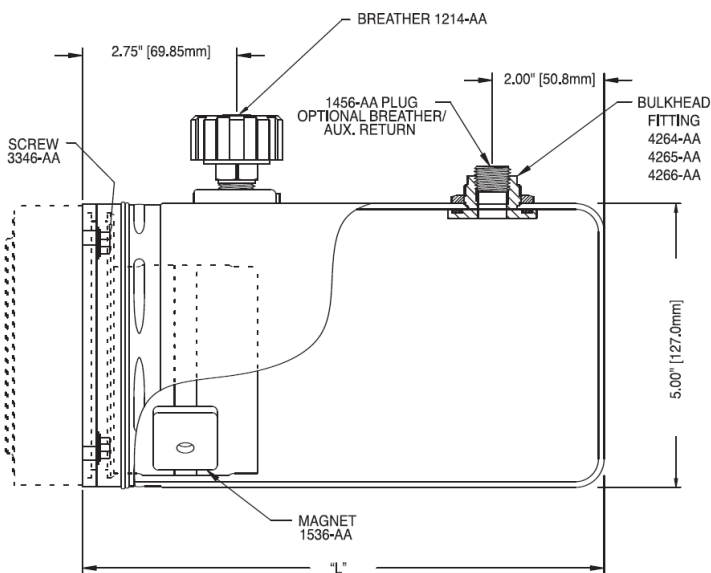
### OFFSET PLASTIC 6.7"/170MM



Kit #	Gallons	Length (in)	Useable Oil Capacity	
			Vertical (ci)	Horizontal (ci)
KR50	1.0	7.50	120	186
KR55	1.2	9.00	180	230
KR51	1.5	11.00	260	286
KR52	2.0	13.00	340	345
KR56	2.5	15.00	420	400
KR53	3.0	20.00	620	540
KR54	4.0	26.00	860	715

Foot included on 1.5 gallon and larger.

### SQUARE PLASTIC 5.0"/127MM



Kit #	Quarts	Length (in)	Useable Oil Capacity	
			Vertical (ci)	Horizontal (ci)
KR22	2	8.5	83	100
KR24	3	11.00	138	130
KR25	4	14.00	200	175

**SPX** **STONE**

# CENTRAL HYDRAULICS INC.

•Daytona Beach •Cocoa •Leesburg •Ocala •Tampa 1-800-264-9571

## Spin-On Hydraulic Filters



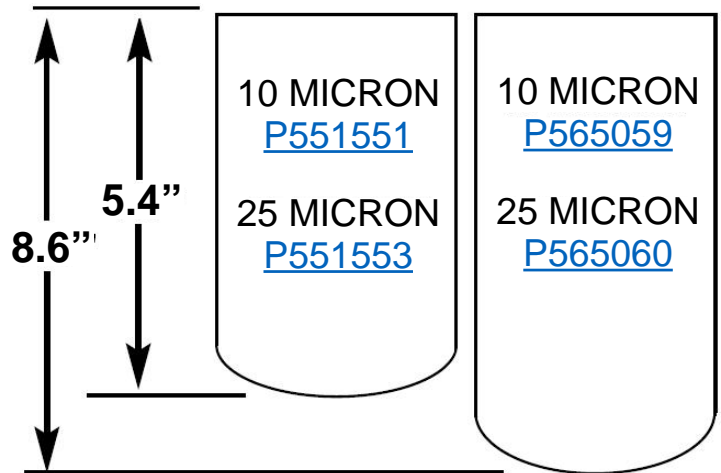
# Donaldson®

Filtration Solutions

### 3/4" NPT

Flow Range to  
30gpm.

Up to 150psi



[P561131](#)

Single Filter Head



[P563298](#)

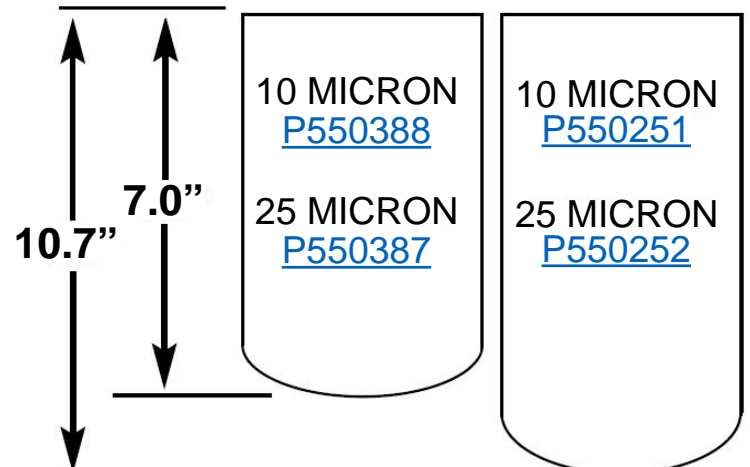


Color-Coded  
0-100psi  
Gage

### 1 1/4" NPT

Flow Range to  
60gpm.

Up to 150psi



[P563268](#)

Single Filter Head



# CENTRAL HYDRAULICS INC.

•Daytona Beach •Cocoa •Leesburg •Ocala •Tampa 1-800-264-9571

## Spin-On Filters



1-1/2" NPT Head P563274

Part #	Micron Rating
P550388	10 Micron
P550387	25 Micron
P550251	10 Micron Long Element
P550252	25 Micron Long Element



Working Pressures to:	150 psi
Rated Static Burst to:	250 psi
Flow Range to:	100 gpm

## Features

SP80/90 double element head allows for double the flow capacity, with two filters to hold more contaminant. Aluminum casting and Buna-N seals standard.

### Beta Rating

- Performance to  $\beta_{6(c)} = 1000$

### Porting Sizes

- 1½" NPT, 2" SAE Flange, SAE-24

### Porting Sizes

- 6.7"
- 7.0"
- 10.7"

### Standard Bypass Ratings

- 25 psi
- 15 psi
- 5 psi
- No Bypass

### Operating Temperatures

- -22°F to 250°F / -30°C to 121°C

### Assembly Weight

- 10.0 lbs (short)
- 11.8 lbs (long)



# CENTRAL HYDRAULICS INC.

•Daytona Beach •Cocoa •Leesburg •Ocala •Tampa 1-800-264-9571

## Low to Medium Pressure Filters

Working Pressure: 500 psi

Rated Static Burst to: 1000 psi

Flow Range to: **HMK04** **HMK24**  
35 gpm 60 gpm

Porting Sizes: **HMK04** **HMK24**  
SAE-16 O-Ring SAE-20 O-Ring

Replacement Filter Lengths: 6" and 8.12"

Standard Bypass Rating: 25psi, 50psi, No Bypass

Operating Temperatures: -20°F to 250°F

Head  
P163681

**HMK04**

**20 Micron Std.**  
P164375

**33 Micron Long**  
P164384

**HMK24**  
P179609



**10 Micron Long**  
P176566

### Features

HMK04 (single) and HMK24 (double) Duramax® spin-on filters both feature a die-cast aluminum head, a heavyduty steel body, with diecast aluminum top plate for added strength. A special head-to-canister O-Ring seal prevents leakage. BunaN seals are standard; Viton® seals are available on some models.

Since both HMK04 and HMK24 models use the same replacement filter elements, they make a great team for your application. Both filters feature identical pressure ratings, but HMK24 handles double the flow capacity as HMK04, so there's no need to inventory two different part numbers for replacement elements.

A full range of media options are available, using Donaldson's exclusive **Synteq®** synthetic media designed especially for liquid filtration. Likewise, select the exact indicator types and bypass options to suit your application.

Working Pressure: 1000 psi

Rated Static Burst to: 2000 psi

Flow Range to: 25 gpm

Porting Sizes: ¾" SAE O-Ring (standard)

Replacement Filter Lengths: 5.5" and 9.5"

Standard Bypass Rating: 50psi or No Bypass

Operating Temperatures: -20°F to 250°F

Head  
P170773

**20 Micron Long**  
P170310

**20 Micron Std.**  
P170311

**HMK03**



### Features

HMK03 Series Duramax® spin-on filters offer twice the capacity of competitive filters, yet they are physically smaller than traditional housing/cartridge filter assemblies. It features a die cast aluminum head and a unique radial seal O-Ring gasket design that eliminates leakage.

Take advantage of Donaldson's Mix 'n Match system of in-stock heads, housings and media choices—so you can get exactly what you need.

# CENTRAL HYDRAULICS INC.

•Daytona Beach •Cocoa •Leesburg •Ocala •Tampa 1-800-264-9571

## High Pressure Filters

**Working Pressure:** 2000 psi

**Rated Static Burst to:** 4500 psi

**Flow Range to:** 20 gpm

**T-Type Porting Sizes:** SAE-12 O-Ring

**Replacement Filter Lengths:** 4.37" and 8.12"

**Standard Bypass Rating:** 50psi / No Bypass

**Operating Temperatures:** -20°F to 250°F



**Donaldson**<sup>®</sup>  
*Filtration Solutions*

**Head**  
P167728



**Housing**  
P167452



**HPK02**

**10 Micron Long Element**  
P170311

The HPK02 is a heavy-duty filter built for high pressure applications, with cast aluminum head and impact-extruded aluminum housing for strength and durability at relatively light weight.

Take advantage of our Mix 'n Match system of in-stock heads, housings and cartridges—so you can get exactly what you need! HPK02 is available with your choice of visual or AC/DC electrical indicators. Likewise, choose the bypass option that's right for your application—50 psi bypass, or no bypass. Seals made of fluorocarbon (such as Viton® and Fluorel®) or BunaN are available with HPK02.

All HPK02 filters contain Synteq®, our synthetic filter media designed especially for liquid filtration.

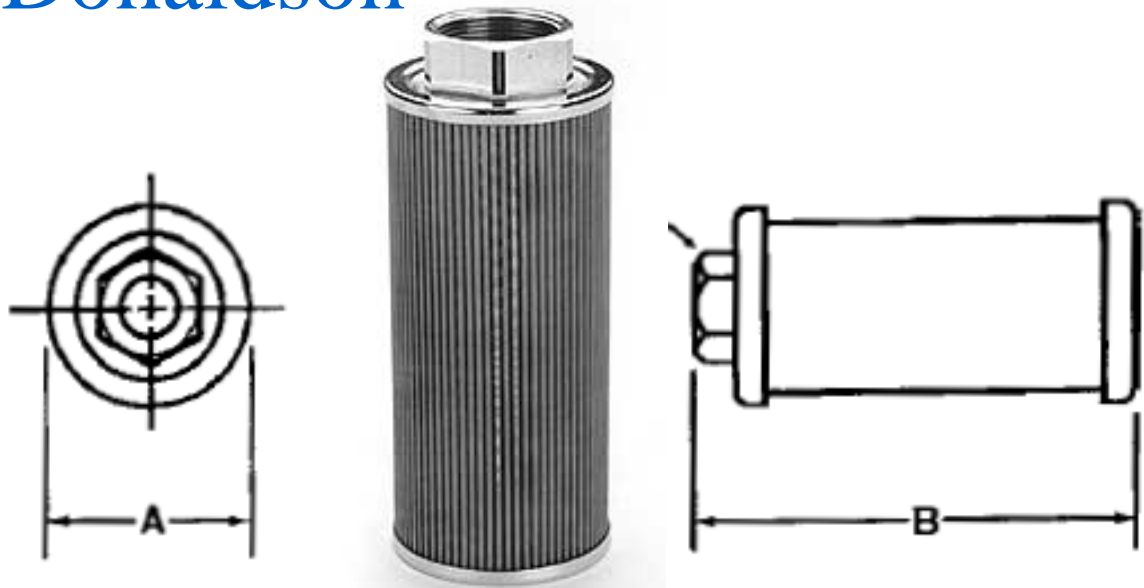
# CENTRAL HYDRAULICS INC.

•Daytona Beach •Cocoa •Leesburg •Ocala •Tampa 1-800-264-9571

## Suction Strainers



# Donaldson



Part #	NPT Size	Dim. A	Dim. B	Max. Flow
P169013	3/4"	2.63	3.55	8
P169014	1"	2.63	5.35	10
P169015	1-1/4"	3.38	6.85	20
P169016	1-1/2"	3.38	8.01	30
P169017	1-1/2"	3.94	9.80	50
P169018	2"	3.94	9.80	50
P169019	2-1/2"	5.12	10.10	75
P169020	3"	5.12	11.78	100

### Many other sizes available!

Donaldson suction strainers are zinc-plated, with stainless steel mesh screens and rugged steel core centers epoxy bonded to heavy gauge connector and end caps. Suction strainers filter petroleum-based hydraulic fluids, phosphate esters, waters glycols, lubricating oils, coolants, fuels and water in fluid reservoirs, sumps and similar applications. They are cleanable and reusable. Clean by swishing in non-caustic solvent, then blow dry from inner diameter to outer diameter with compressed air.

# CENTRAL HYDRAULICS INC.

•Daytona Beach •Cocoa •Leesburg •Ocala •Tampa 1-800-264-9571

## Donaldson Filter Spreadsheet

Pressure	Thread	MAX Flow	Head	Hi-Pressure Housing	Micron	Standard Element	Long Element	Series
SUCTION	3/4"NPT	20 GPM	P561132		150 MESH	P550274		
SUCTION	1-1/4"NPT	40 GPM	P563491		150 MESH	P550275	P550276	SP50/60
150 PSI	3/4"NPT	30 GPM	P561131		10M	P551551	P565059	LPS04
					25M	P551553	P565060	LPS04
150 PSI	1-1/4"NPT	40 GPM	P563268		10M	P550388	P550251	SP50/60
					25M	P550387	P550252	SP50/60
150 PSI	1-1/2"NPT	90 GPM	P563274		10M	P550388	P550251	SP80/90
			DUALFILTER		25M	P550387	P550252	SP80/90
500 PSI	#16 ORB	35 GPM	P163681		10M		P176566	HMK04
500 PSI	#24 ORB	60 GPM	P179609		20M	P164375		HMK04
					33M		P164384	HMK04
1000 PSI	#12 ORB	25 GPM	P170773		20M	P170310	P170311	HMK03
2000 PSI	#12 ORB	20 GPM	P167728	P167452	9M		P165043	HPK02
3000 PSI	#16 ORB	60 GPM	P166353	P179579	10M	P164166		HPK03
6000 PSI	Split Flange Code 62	100 GPM	P170057	P162451	10M	P164166		HPK04

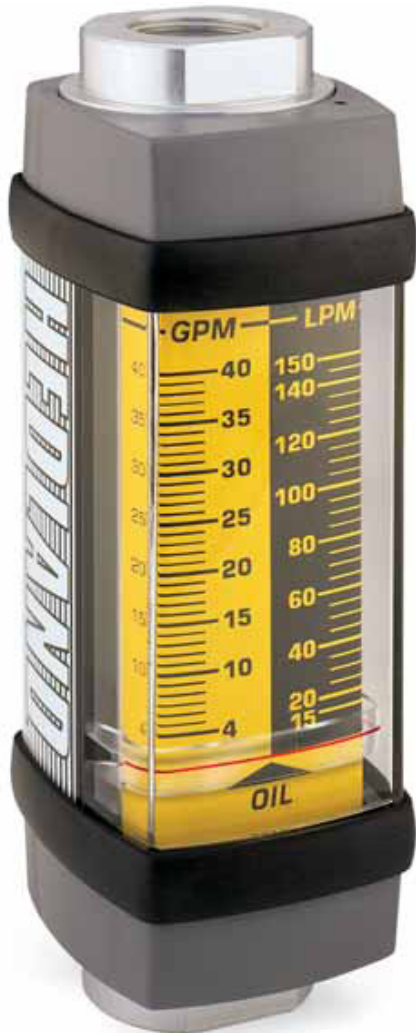
# CENTRAL HYDRAULICS INC.

•Daytona Beach •Cocoa •Leesburg •Ocala •Tampa 1-800-264-9571

## 3500 PSI Flow Meters

# HEDLAND

Aluminum Flow Meters



### for Petroleum Fluids

#### FEATURES

- Direct reading
- Install in any position
- 360° rotatable guard/scale
- Easier-to-read linear scale
- No flow straighteners or special piping required
- Relatively insensitive to and shock and vibration
- Good viscosity stability
- Temperature up to 240 °F
- Accuracy  $\pm 2\%$  full scale
- Repeatability  $\pm 1\%$
- Special scales available
- Calibrated for .876 S.G.

NOMINAL PORT SIZE	GPM	Part #
<b>1/4"</b> <b>SAE 6</b>	0.1 - 1.0	H200A - 010
	0.2 - 2.0	H200A - 020
<b>1/2"</b> <b>SAE 10</b>	0.1 - 1.0	H600A - 001
	0.2 - 2.0	H600A - 002
	0.5 - 5.0	H600A - 005
	1 - 10	H600A - 010
	1 - 15	H600A - 015
<b>3/4"</b> <b>SAE 12</b>	0.2 - 2.0	H700A - 002
	.05 - 5.0	H700A - 005
	1 - 10	H700A - 010
	2 - 20	H700A - 020
	3 - 30	H700A - 030
<b>1"</b> <b>SAE 16</b>	0.2 - 2.0	H760A - 002
	.05 - 5.0	H760A - 005
	1 - 10	H760A - 010
	2 - 20	H760A - 020
	3 - 30	H760A - 030
	4 - 40	H760A - 040
<b>1-1/4"</b> <b>SAE 20</b>	5 - 50	H800A - 030
	10 - 75	H800A - 050
	10 - 100	H800A - 075
	10 - 100	H800A - 100
	10 - 150	H800A - 150
<b>1-1/2"</b> <b>SAE 24</b>	3 - 30	H860A - 030
	5 - 50	H860A - 050
	10 - 75	H860A - 075
	10 - 100	H860A - 100
	10 - 150	H860A - 150

#### THREADS:

**SAE O-RING BOSS**

#### TEMPERATURE RANGE:

-20 to +240 °F (-29 to +116 °C)

# CENTRAL HYDRAULICS INC.

•Daytona Beach •Cocoa •Leesburg •Ocala •Tampa 1-800-264-9571

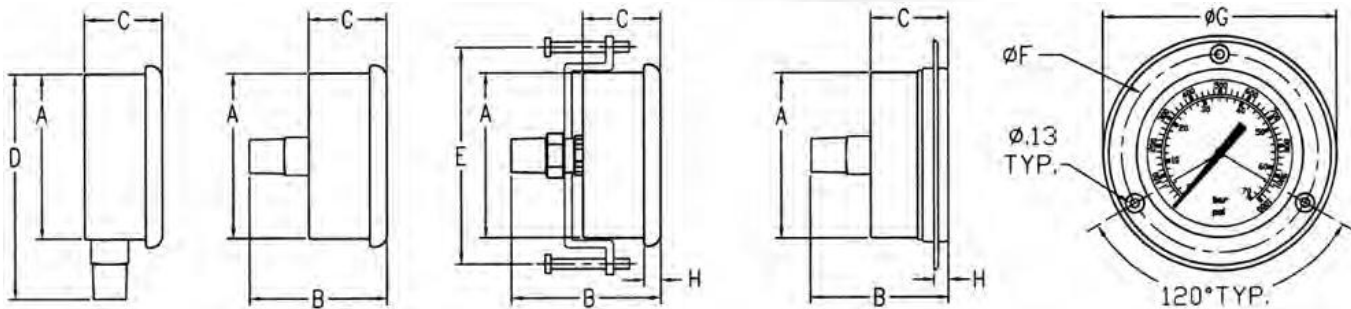
## Gauges

- Stainless Steel Case & Bezel
- Brass & Phosphor Bronze Bourdon Tube
- Vacuum to 6,000psi Range
- Dual Scale PSI & BAR
- Accuracy  $\pm 1.6\%$  FSD
- Temperature Range  $-40^{\circ}$  to  $180^{\circ}$  F
- Brass Connection

### CF Series 1-1/2, 2 and 2-1/2 Glycerin Filled



### INSTALLATION DATA



Size	A	B	C	D	E	F	G	H
1 - 1/2"	1.61	1.75	1.00	-	-	-	-	.20
2"	2.00	2.25	1.16	3.09	2.36	2.51	2.87	.21
2 - 1/2"	2.44	2.25	1.14	3.42	3.17	2.93	3.43	.24

**Ordering Example:** **CF** - **1** **P** - **004** - **A**

Model	Size	Type	Range	Style
CF	1 to 2-1/2 dia.	C - compound	002 - 30" Hg - 30psi	A - stem
Designation for glycerine filled gauges	5 to 2 dia.	V - vacuum	000 - 30 Hg" - 0psi	B - panel clamp
	*4 to 1-1/2 dia.	P - pressure	001 - 15psi	D - ctr. back
			002 - 30psi	E - panel flange
			004 - 60psi	
			007 - 100psi	
			010 - 160psi	
			015 - 200psi	
			020 - 300psi	
			040 - 600psi	

\*Note: 1-1/2" available only as a center back mount  
 Port size - 1/8npt. Limited to 5000psi.

Port Sizes for 2" and 2-1/2" are 1/4npt  
 Special sizes subject to minimum order qty.

# CENTRAL HYDRAULICS INC.

•Daytona Beach •Cocoa •Leesburg •Ocala •Tampa 1-800-264-9571

## Needle and Flow Control Valves



### Normal Operating Pressures

Brass - 2,000psi

Carbon Steel - 5,000psi

Stainless Steel - 5,000psi

(UNLESS OTHERWISE SPECIFIED)

### Flow Control Valves Easy Read

SIZE	BRASS	CARBON STEEL
1/8"	EF10B	EF10S
1/4"	EF20B	EF20S
3/8"	EF25B	EF25S
1/2"	EF30B	EF30S
3/4"	EF35B	EF35S
1"	EF40B	EF40S



Color Band Flow Control

### Needle Valves Easy Read

SIZE	BRASS	CARBON STEEL
1/8"	EN10B	EN10S
1/4"	EN20B	EN20S
3/8"	EN25B	EN25S
1/2"	EN30B	EN30S
3/4"	EN35B	EN35S
1"	EN40B	EN40S



Color Band Needle Valve

### Ball Check Valves

SIZE	BRASS	CARBON STEEL
1/8"	EC10B	-----
1/4"	EC20B	EC20S
3/8"	EDC25B	EDC25S
1/2"	EDC30B	EDC30S
3/4"	EDC35B	EDC35S
1"	EC40B	EC40S



Check Valve

Cracking Pressure 1-2.5psi

### Globe Check Valves

SIZE	CARBON STEEL
1/4"	S250S1
3/8"	S350S1
3/8"	S450S1
1/2"	S650S1
1"	S850S1

Carbon Steel - 10,000psi



Globe Needle Valves

# CENTRAL HYDRAULICS INC.

•Daytona Beach •Cocoa •Leesburg •Ocala •Tampa 1-800-264-9571

## Hydraulic Valves

Single Spool



Double Spool



Triple Spool



SBA Series- The Cross SBA series valve is a 3-position, 4-way valve in 1, 2, or 3 spool versions with float option available. Fully balanced select-fit honed spools with excellent metering characteristics give a maximum load holding capability.

### Features

- 2500 psi operating pressure\*
- 30 gpm flow rating
- 3/4" NPT inlet & outlet ports
- 1/2" NPT work ports
- 2000 psi adjustable relief valve
- Open center, spring centered
- Load holding cylinder port check valves

Part Number	Options
1V0208	Power Beyond Sleeve
1V0206	Closed Center Plug
1V0294	3-Position Detent
1V0096	3-way 3-Pos Spool



Made in the U.S.A.



**MANUFACTURING, INC.**

### USES

- Double-acting cylinder or motor.
- Float position allows a dozer blade to ride the contours of the ground.

Part #	MFR	Description
SBA1-3WAY	133259	Single Spool 3-position, 3-way
SBA2	131135	Single Spool, 3-position, 4-way #100173 ALL parts #12 ORB
SBA22	136250	Double Spool, both 3-position, 4-way
SBA222	145737	Triple Spool, all 3-position, 4-way
SBAF2	143799	Double Spool, 1st spool 4-position, with detent in float, 2nd spool 3-position
SBAF22	150340	Triple Spool, 1st spool 4-position, with detent in float, 2nd & 3rd spools 3-pos.



# CENTRAL HYDRAULICS INC.

•Daytona Beach •Cocoa •Leesburg •Ocala •Tampa 1-800-264-9571

---

## BUCHERHYDRAULICS

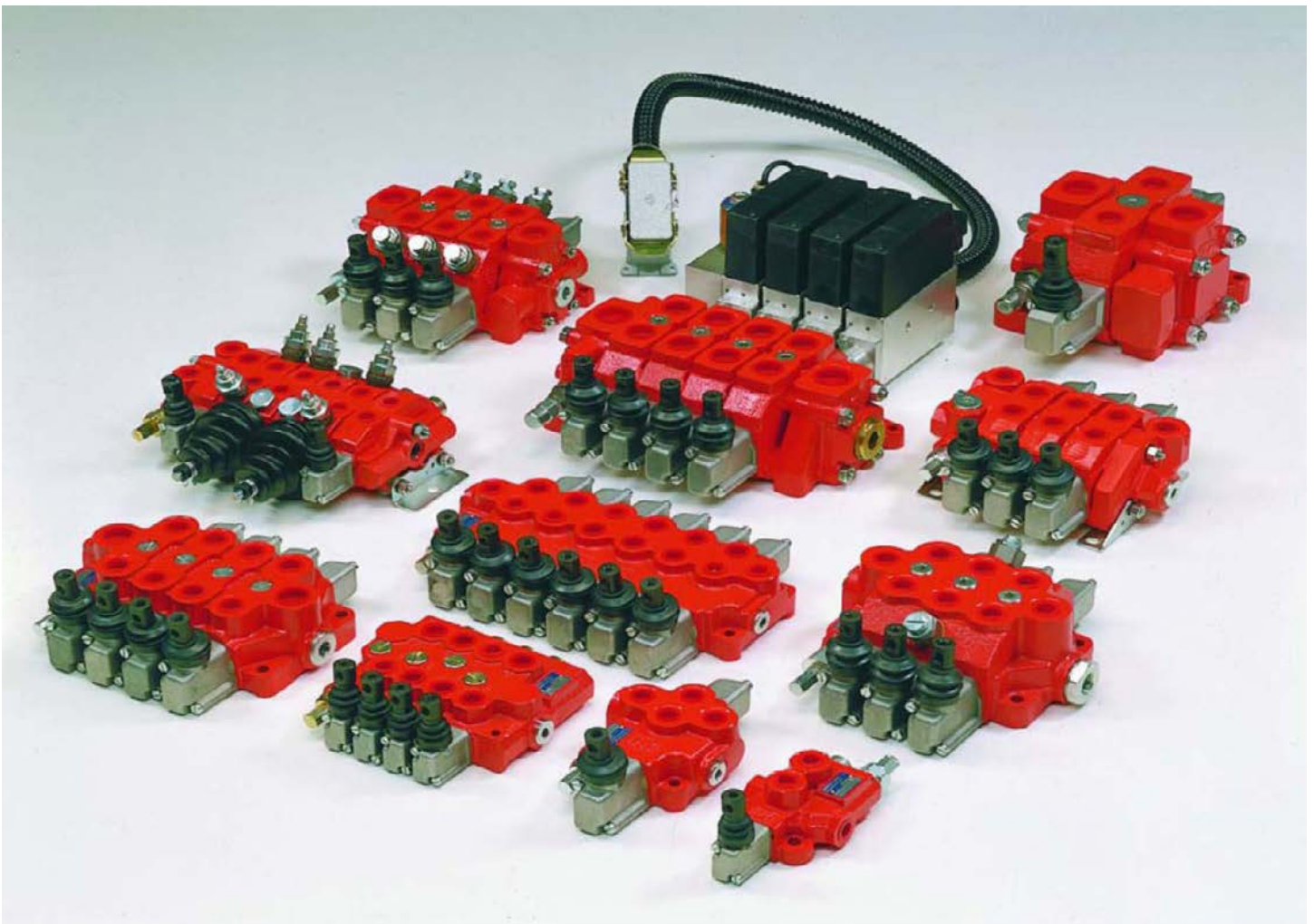
---



Monobloc and sectional directional control valves

**Custom designs available**

**We keep the Monobloc styles in stock!**

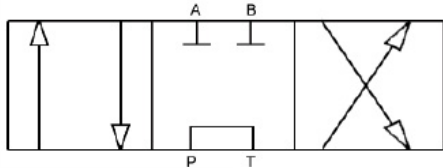


# CENTRAL HYDRAULICS INC.

•Daytona Beach •Cocoa •Leesburg •Ocala •Tampa 1-800-264-9571

## MANUAL CONTROL VALVES

### 4-way 3-Position S/C to neutral



**HDM140 - 1 spool**  
P/N 200051417006



**Monoblock - 8 O-Ring Boss**  
**Max. 10gpm - 3600psi**  
(SOLD SEPERATELY)

6" Handle  
P/N 200702210190

Detent Kit  
P/N 200768520010

IN  
STOCK!

**HDM11P - 2 spool**  
P/N 200061127007

**HDM11P - 3 spool**  
P/N 200061137011

**HDM11P - 4 spool**  
P/N 200061147007

**HDM11P - 5 spool**  
P/N 200061157003

**HDM11P - 6 spool**  
P/N 200061167007

**Monoblock - 8 O-Ring Boss**  
**Max. 12gpm - 3600psi**

(SOLD SEPERATELY)

6" Handle  
P/N 200702210190

3 POS DETENT  
P/N 200768520010

Power Beyond Option  
P/N 200527160201



IN  
STOCK!



IN  
STOCK!

**Monoblock - 10 O-Ring Boss**

**Max. 18gpm - 5000psi**

**Load Hold Check Valves**

7-1/4" Handle  
P/N 200702220010

Detent Kit  
P/N 200968620140

Power Beyond Option  
P/N 200770000460

**HDM18 - 1 spool**  
P/N 200071818007

**HDM18 - 2 spool**  
P/N 200071828010

**HDM18 - 3 spool**  
P/N 200071838025

**HDM18 - 4 spool**  
P/N 200071848007

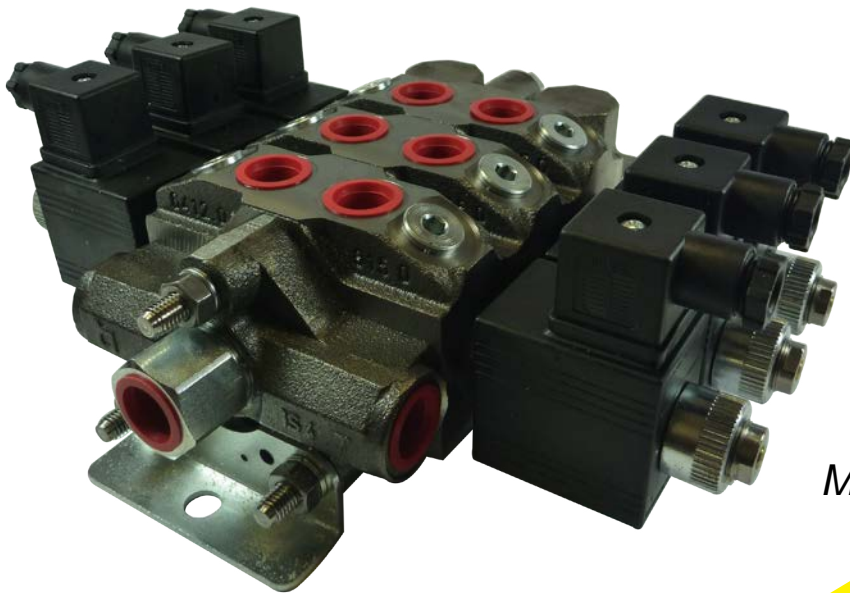
# CENTRAL HYDRAULICS INC.

•Daytona Beach •Cocoa •Leesburg •Ocala •Tampa 1-800-264-9571

## Sectional Electric Control Valves



### 12vDC HDS11



12gpm Max Flow

1-6 Spools Assemblies

2100 - 3600 psi Relief Standard  
up to 5000 psi available

#8 ORB Ports

4-Way 3-Pos is Standard

Load hold check valve in  
each section

*Many Spool Options Available!*

Custom  
Built from  
Stock in  
24 Hours!

Inlet no-Relief Top Ported P1, T1	200931070050
Inlet w/Adj. Relief 1300-3000psi set@ 2100 End Ported P1	200931070030
Outlet - Standard	200630070010
Outlet with Power Beyond HPCO	200930070020
Section 4way 3position A/B closed	200741270017
Mounting Bracket	200677200421

\* Bolt Kits Based on Number of Spools

# CENTRAL HYDRAULICS INC.

•Daytona Beach •Cocoa •Leesburg •Ocala •Tampa 1-800-264-9571

## Sectional Directional Control Valves



Custom  
Built from  
Stock in  
24 Hours!

### HDS20

25gpm Max Flow  
3600 Max operating pressure  
1-10 Spools Assemblies  
Adjustable Direct Acting Relief Valve

#12 ORB Inlet/Outlet  
#10 ORB Work Ports  
4-Way 3-Position is Standard

*Many Spool Options Available!*

#12 ORB LH Inlet w/relief	200787400800
#12 ORB RH Outlet w/HPCO	200930490080
#12 ORB RH Outlet Standard	200930490020
#10 ORB 4-Way 3-Pos Cylinder Spool Section	200741480001
#10 ORB MTR Spool Section ABT Common	200741480005
3 Position Detent Kit	200968620020
7.25" Handle	200702220010

\* Bolt Kits Based on Number of Spools



# CENTRAL HYDRAULICS INC.

•Daytona Beach •Cocoa •Leesburg •Ocala •Tampa 1-800-264-9571

## Sectional Directional Control Valves



Custom  
Built from  
Stock in  
24 Hours!

### HDS30

35 Gpm Max Flow

3600 Max operating pressure

1-10 Spools Assemblies

#16 ORB Inlet/Outlet

#12 ORB Work Ports

4-Way 3-Position is Standard

*Many Spool Options Available!*

#16 ORB LH Inlet w/relief	200931690020
#16 ORB RH Outlet w/HPCO	200930690040
#16 ORB RH Outlet Standard	200630690030
#12 ORB 4-Way 3-Pos Cylinder Spool Section	200741690001
#12 ORB MTR Spool Section ABT Common	600130100549
3 Position Detent Kit	200968620020
7.25" Handle	200702220010

\* Bolt Kits Based on Number of Spools

**b** **BUCHER**  
HYDRAULICS

# CENTRAL HYDRAULICS INC.

•Daytona Beach •Cocoa •Leesburg •Ocala •Tampa 1-800-264-9571

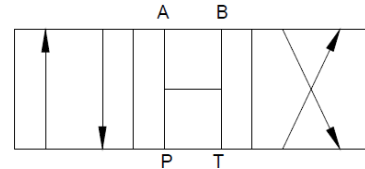
## 45GPM Directional Control Valve



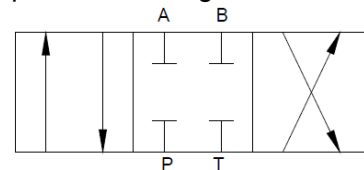
### Common "DCSERIES" Stock #'s

DC	75	T	3	L	B	S
DC	75	T	4	H	E	B
DC	16	O	4	L	B	D
DC	16	T	3	L	B	D
DC	16	T	3	L	B	S
DC	16	T	4	L	B	D
DC	16	T	4	L	B	S
	1	2	3	4	5	6

**45 gpm**  
**3000 psi**  
**#16 SAE ORB**  
**3/4" NPT**



**Open Center (O)** - All of the ports are connected to tank when the spool is in neutral. Allows cylinder to move or motor to rotate when spool is in neutral. This spool is not designed for DCF valve.



**Closed Center (C)** - All ports are blocked in neutral. Blocks cylinder or motor in neutral. Required for use with pressure compensated pump. This is not available for DCF valve.

### 1 **SERIES**

DC – 4-way directional control valve

### 2 **PORT SIZE**

75 – 3/4" inlet/outlet and work ports

16 – #16 SAE inlet/outlet and work ports

### 3 **SPOOL TYPE**

T3 – Tandem center 3-way (DC only)  
(Omit 4)

C – Closed center (DC only)

T – Tandem center (DC only)

O – Open center (DC only)

M – Fine metering

TM – Tandem metering

### 4 **3-WAY or 4-WAY**

3 – 3-way (Tandem spool and DC only)

4 – 4-way

### 5 **ACTUATORS**

L – Lever handle (B port is active when handle is pushed)

H – Rotary handle (Used in conjunction

with rotary ball friction detent (E))

### 6 **SPOOL ATTACHMENTS**

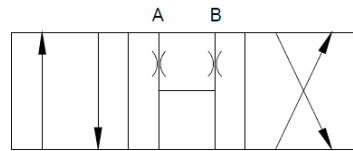
S – Spring center

D – Three-position detent

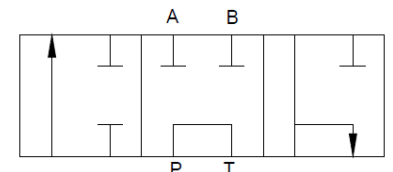
F1 – Ball friction detent

B – High lift ball spring relief for DC (TS-B)

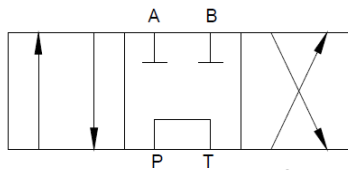
E – Rotary ball friction detent



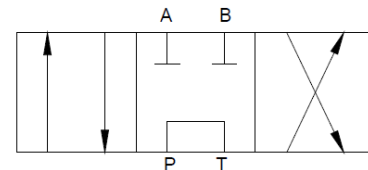
**Fine Metering Spool (M)** - The pressure drop in neutral is higher than the (TM) spool. Requires external locking valves to hold cylinder, because ports A and B are open (orificed) in the neutral position. Extremely fine metering control. This spool is designed for the DCF valve and acts as closed center in DC valve.



**Tandem Three Way (T3)** - Powers the cylinder in one direction. Pump unloads to tank when spool is in neutral, or when spool is being reversed. Cylinder is blocked when spool is in neutral. Port "B" is plugged. This spool is designed for the DC valve.



**Tandem Metering Spool (TM)** - Similar to (T) spool except much finer metering control. The pressure drop in neutral is lower than the (M) spool. Cylinder or motor blocked in neutral and pump unloads to tank. This spool is designed for DCF valve.



**Tandem Center (T)** - Powers cylinder or motor in both directions (metering capability is very limited). Pump unloads to tank when spool is in neutral. Cylinder or motor blocked when spool in neutral. This spool is not designed for DCF valve.

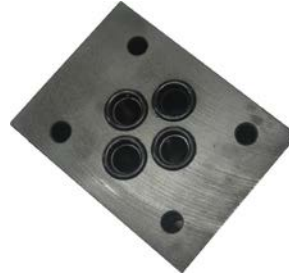
# CENTRAL HYDRAULICS INC.

•Daytona Beach •Cocoa •Leesburg •Ocala •Tampa 1-800-264-9571

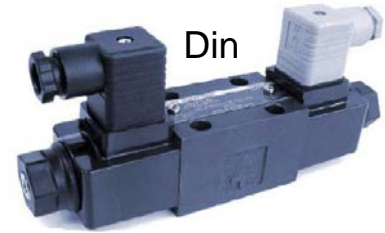
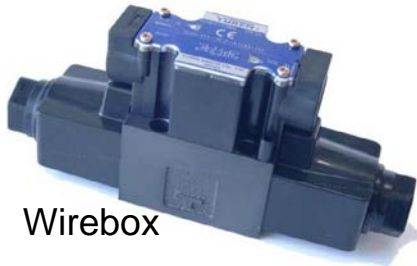
## Directional Control Valves

T = Tank  
P = Pressure  
A & B = Work Ports

\*Flow path when de-energized is box between letters.



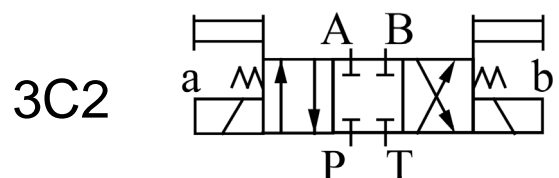
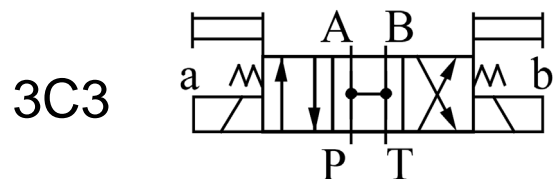
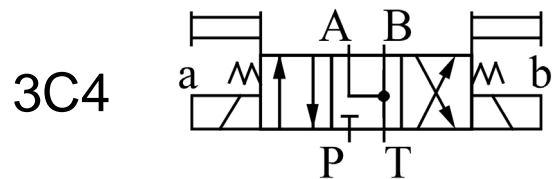
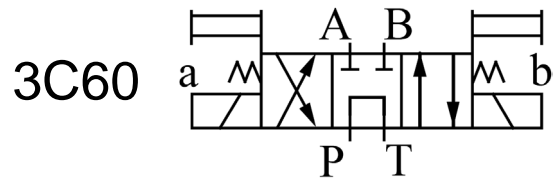
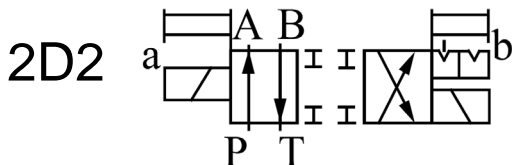
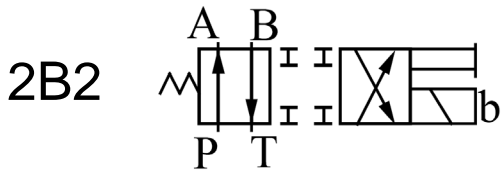
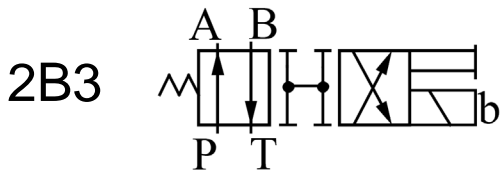
**YUKEN**



12v - 24v - 110v - 220v  
D01 - D03 - D05 - etc...

We can interchange  
**Vickers, Parker, Rexroth,  
Nachi, Northman, etc..**

Single Coil 2 Position



Double Coil 3 Position

# CENTRAL HYDRAULICS INC.

•Daytona Beach •Cocoa •Leesburg •Ocala •Tampa 1-800-264-9571

## DELTROL - Fluid Products

# DELTROL

*fluid products*

DIVISION OF DELTROL CORP



### Cartridge Valves

Spool and  
Poppet types





# CENTRAL HYDRAULICS INC.

•Daytona Beach •Cocoa •Leesburg •Ocala •Tampa 1-800-264-9571

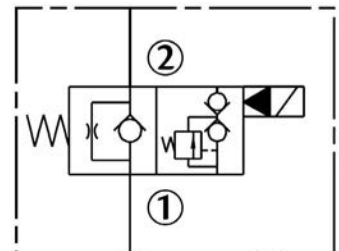
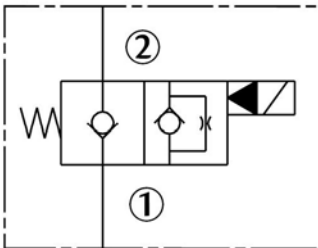
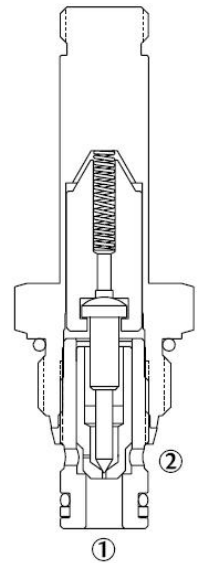
## Cartridge Valves



### 2-Way 2-Position Cartridge Valves

**Poppet Type**  
(10v 12v 110v 220v)

Part #	Description
<p><b>NORMALLY CLOSED</b></p> <p><b>DSV-080-2NCP-N</b> Up to 5gpm</p> <p><b>DSV2-100-2NCP-N</b> Up to 16gpm</p> <p><b>SV12-22</b> Up to 30gpm 3500#</p> <p><b>SV16-22</b> Up to 40gpm 3000#</p>	<p>A cartridge valve designed with positive shut off to be used in load holding applications.</p> <p><b>OPERATION</b></p> <p>When <i>de-energized</i>, the DSV-2NCP acts as a check valve, allowing flow from ① to ②, while blocking flow from ② to ①.</p> <p>When <i>energized</i>, the poppet lifts to open the ② to ① flow path.</p>



Part #	Description
<p><b>NORMALLY OPEN</b></p> <p><b>DSV-080-2NOP-N</b> Up to 5gpm</p> <p><b>DSV2-100-2NOP-N</b> Up to 16gpm</p> <p><b>SV12-21</b> Up to 30gpm 3500#</p> <p><b>SV16-21</b> Up to 35gpm 3000#</p>	<p>A cartridge valve designed with positive shut off to be used in load holding applications.</p> <p><b>OPERATION</b></p> <p>When <i>de-energized</i>, the DSV-2NOP is open to allow flow from ② to ①.</p> <p>When <i>energized</i>, the poppet closes to block the flow from ② to ①. In this condition, the cartridge allows reverse flow from ① to ②.</p>

# CENTRAL HYDRAULICS INC.

•Daytona Beach •Cocoa •Leesburg •Ocala •Tampa 1-800-264-9571

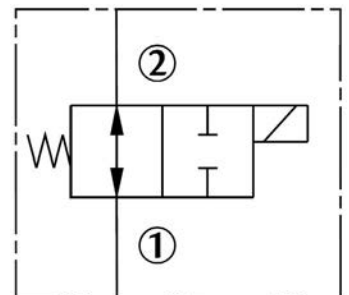
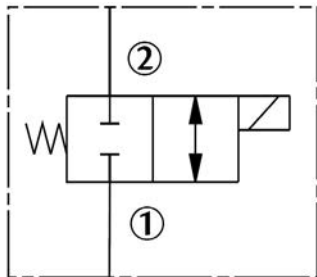
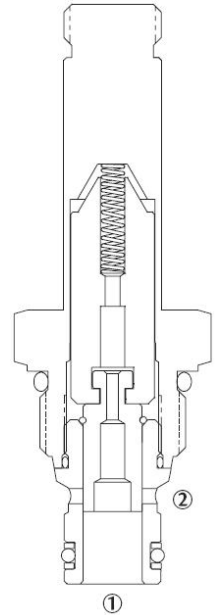
## Cartridge Valves



### 2-Way 2-Position Cartridge Valves

**Spool Type**  
(10v 12v 110v 220v)

Part #	Description
<p><b>NORMALLY CLOSED</b></p> <p><b>DSV2-080-2NCS-N</b> Up to 3gpm</p> <p><b>DSV2-100-2NCS-N</b> Up to 3gpm</p>	<p>A cartridge valve designed to operate as a bidirectional blocking valve.</p> <p><b>OPERATION</b></p> <p>When <i>de-energized</i>, the DSV-2NCS blocks flow in both directions.</p> <p>When <i>energized</i>, the cartridge's spool shifts to allow flow in either direction.</p>



Part #	Description
<p><b>NORMALLY OPEN</b></p> <p><b>DSV2-080-2NOS-N</b> Up to 3gpm</p> <p><b>DSV2-100-2NOS-N</b> Up to 6gpm</p>	<p>A cartridge valve designed to operate as a bidirectional blocking valve.</p> <p><b>OPERATION</b></p> <p>When <i>de-energized</i>, the DSV-2NOS allows flow in both directions.</p> <p>When <i>energized</i>, the cartridge's spool shifts to block flow in either direction.</p>

# CENTRAL HYDRAULICS INC.

•Daytona Beach •Cocoa •Leesburg •Ocala •Tampa 1-800-264-9571

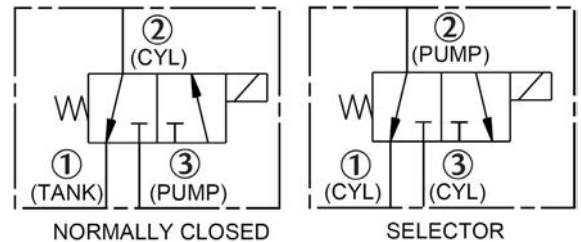
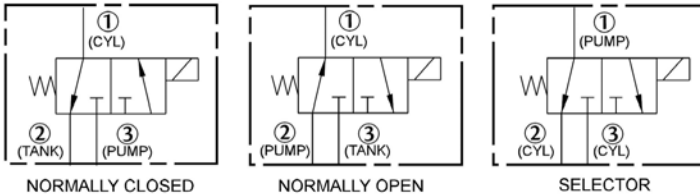
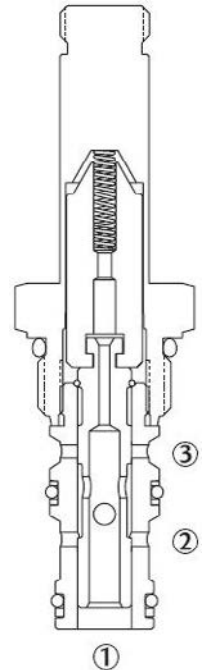
## Cartridge Valves



### 3-Way 2-Position Cartridge Valves

**Spool Type**  
(10v 12v 110v 220v)

Part #	Description
<b>DSV2-080-3-N</b> Up to 4gpm	<p>A cartridge valve designed as a three-way, spool-type, directional control valve.</p> <p><b>OPERATION</b></p> <p>When <i>de-energized</i>, the DSV-3 allows flow between ② and ① while blocking flow at ③.</p> <p>When <i>energized</i>, the cartridge's spool shifts to allow flow between ① and ③ while blocking flow at ②.</p>
<b>DSV2-100-3-N</b> Up to 6gpm	



Part #	Description
<b>DSV2-080-3B-N</b> Up to 5gpm	<p>A cartridge valve designed as a three-way, spool-type, directional control valve.</p> <p><b>OPERATION</b></p> <p>When <i>de-energized</i>, the DSV-3B allows flow between ② and ①, while blocking flow at ③.</p> <p>When <i>energized</i>, the cartridge's spool shifts to allow flow between ② and ③ while blocking flow at ①.</p>
<b>DSV2-100-3B-N</b> Up to 6gpm	

# CENTRAL HYDRAULICS INC.

•Daytona Beach •Cocoa •Leesburg •Ocala •Tampa 1-800-264-9571

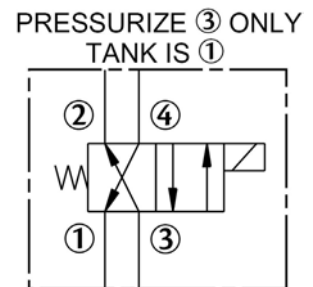
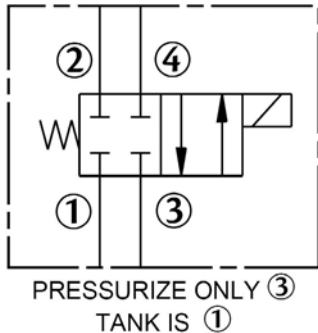
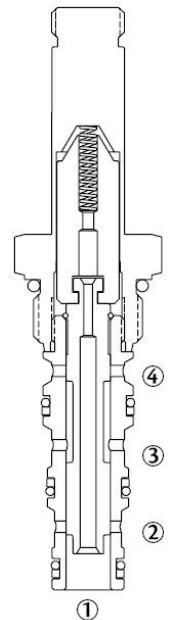
## Cartridge Valves



### 4-Way 2-Position Cartridge Valves

**Spool Type**  
(10v 12v 110v 220v)

Part #	Description
<b>NORMALLY CLOSED</b>	Spool-type, directional control valve with all ports normally-closed
<b>DSV2-080-4NC-N</b> Up to 3gpm	<b>OPERATION</b> When <i>de-energized</i> , the DSV2-4NC flow paths are blocked.
<b>DSV2-100-4NC-N</b> Up to 6gpm	When <i>energized</i> , the cartridge's spool ② shifts and allows flow from ③ to ④ and from ① to ②.



Part #	Description
<b>NORMALLY CLOSED</b>	Spool-type, directional control valve with all ports normally-open.
<b>DSV2-080-4CO-N</b> Up to 3gpm	<b>OPERATION</b> When <i>de-energized</i> , the DSV2-4CO allows flow from ③ to ②, and from ④ to ①.
<b>DSV2-100-4CO-N</b> Up to 6gpm	When <i>energized</i> , the cartridge's spool shifts to allow flow between ③ and ④ and from ② to ①.

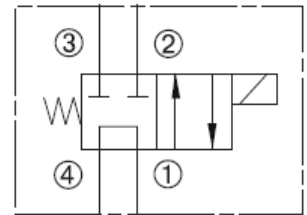
## Cartridge Valves



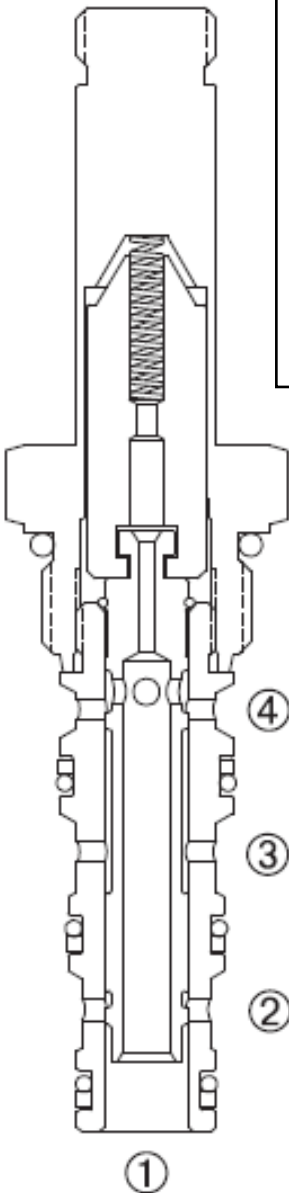
### 4-Way 2-Position Cartridge Valves

#### Spool Type

(10v 12v 110v 220v)

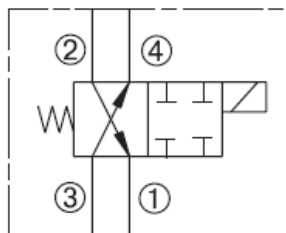


PRESSURIZE ④ ONLY  
TANK IS ①



Part Number	Description
<b>DSV2-080-4TC-N</b> Up to 3gpm	<p>Spool-type, directional control valve with two ports normally-closed and two ports normally-open`</p> <p><b><u>OPERATION</u></b></p> <p>When <i>de-energized</i>, the DSV2-4TC allows flow from ④ to ① and is blocked at ② and ③.</p> <p>When <i>energized</i>, the cartridge's spool shifts and allows flow from ④ to ③ and from ② to ① .</p>
<b>DSV2-100-4TC-N</b> Up to 6gpm	

Part Number	Description
<b>DSV2-080-4NO-N</b> Up to 3gpm	<p>A cartridge valve designed as a four-way, spool-type, directional control valve with all ports normally-open. This valve is commonly used in a circuit to allow flow to and from a double-acting cylinder or motor.</p> <p><b><u>OPERATION</u></b></p> <p>When <i>energized</i>, the spool shifts and all flow paths are blocked. When <i>de-energized</i>, the cartridge's spool allows flow from ③ to ④ and from ② and ①.</p>
<b>DSV2-100-4NO-N</b> Up to 3gpm	



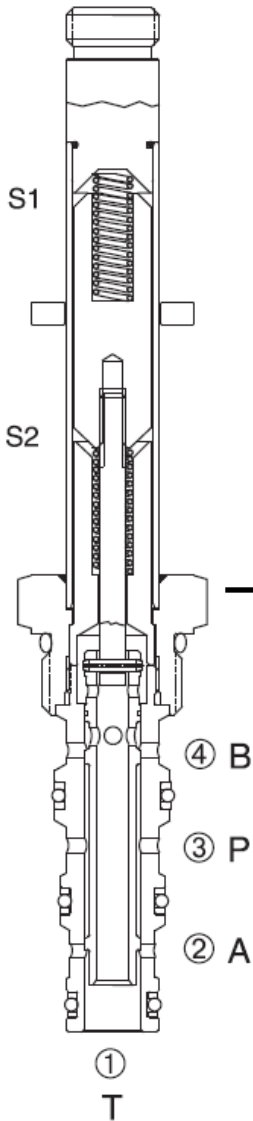
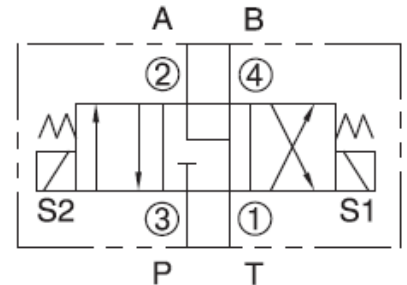
PRESSURIZE ③ ONLY  
TANK IS ①

**DELTROL**  
*fluid products*  
DIVISION OF DELTROL CORP 

## Cartridge Valves

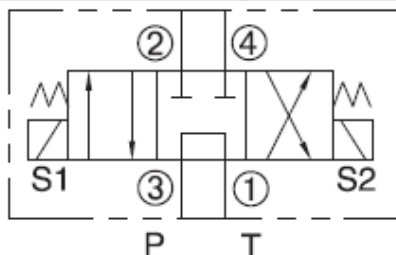


### 4-Way 3-Position Motor Center or Tandem Center Cartridge Valves **Spool Type**



Part #	Description
<b>DSV-080-34M-N</b> Up to 3.5gpm	A cartridge valve designed as a three position, four-way solenoid valve. <b>OPERATION</b> When <i>de-energized</i> , the valve allows flow between the ①, ②, and ④ ports with the ③ port blocked. When the upper solenoid (S1) is <i>energized</i> , the valve allows flow between ② and ① ports and the ③ and ④ ports. When the lower solenoid (S2) is <i>energized</i> , the valve allows flow between the ④ and ① ports and the ③ and ② ports.
<b>DSV-100-34M-N</b> Up to 6gpm	

Part #	Description
<b>DSV-080-34T-N</b> Up to 3gpm	A cartridge valve designed as a three position, four-way solenoid valve. <b>OPERATION</b> When <i>de-energized</i> , the valve allows flow between the ③ and ① ports with ports ② and ④ blocked. When the lower solenoid (S2) is <i>energized</i> , the valve allows flow between the ① and ② ports and the ③ and ④ ports. When the upper (S1) solenoid is <i>energized</i> , the valve allows flow between the ① and ④ ports and the ② and ③ ports.
<b>DSV-100-34T-N</b> Up to 5gpm	

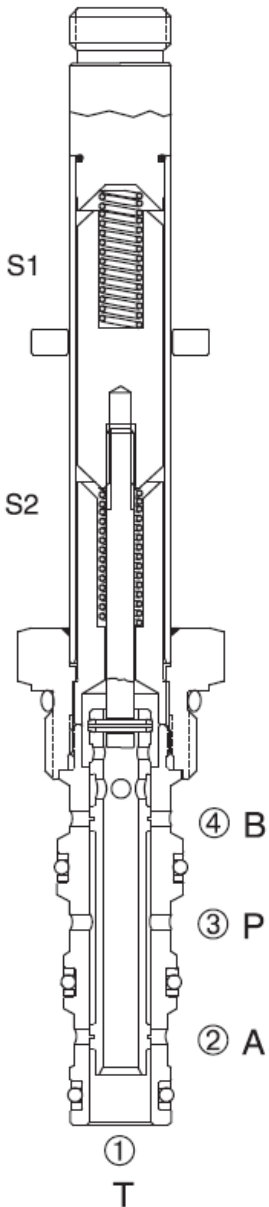
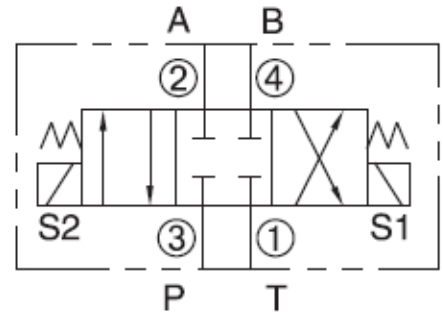


## Cartridge Valves



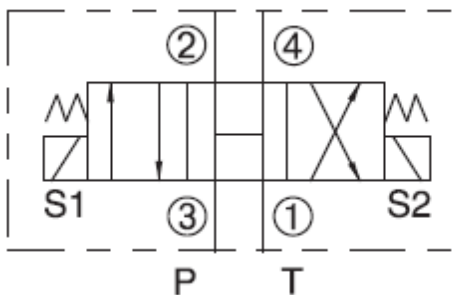
### 4-Way 3-Position Closed Center or Open Center Cartridge Valves

### Spool Type



Part #	Description
<b>DSV-080-34C-N</b> Up to 3gpm	A cartridge valve designed as a three position, four-way solenoid valve. <b>OPERATION</b> When <i>de-energized</i> , the valve prevents flow at all ports. When the upper solenoid (S1) is <i>energized</i> , the valve allows flow between the ② and ① ports and the ③ and ④ ports. When the lower solenoid (S2) is <i>energized</i> , the valve allows flow between the ④ and ① ports and the ③ and ② ports.
<b>DSV-100-34C-N</b> Up to 6gpm	

Part #	Description
<b>DSV-080-34O-N</b> Up to 2gpm	A cartridge valve designed as a three position, four-way solenoid valve. <b>OPERATION</b> When <i>de-energized</i> , the valve allows flow at all ports. When the upper solenoid (S1) is <i>energized</i> , the valve allows flow between the ③ and ② ports and the ④ and ① ports. When the lower solenoid (S2) is <i>energized</i> , the valve allows flow between the ③ and ④ ports and the ② and ① ports.
<b>DSV-100-34O-N</b> Up to 3gpm	



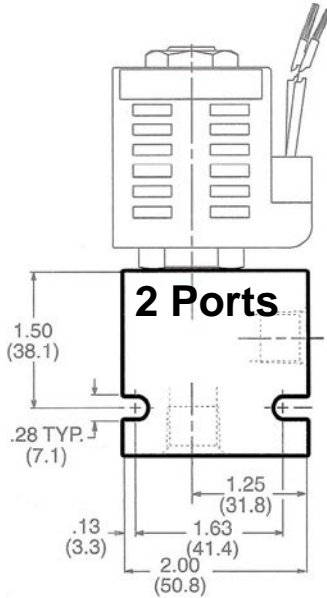
# CENTRAL HYDRAULICS INC.

•Daytona Beach •Cocoa •Leesburg •Ocala •Tampa 1-800-264-9571

## Aluminum Cartridge Blocks

### 3000 PSI

#### Two Way Two Position

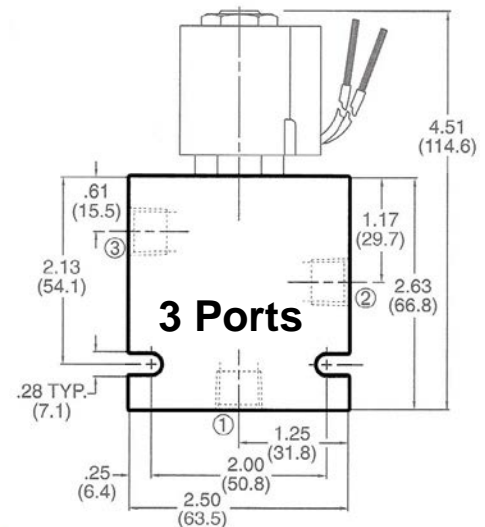


Part #	Description
10138-44	B-080-2-2N 2W/2POS 1/4" NPT
10138-47	B-080-2-6T 2W/2POS #6 ORB
10138-48	B-100-2-2N 2W/2POS 1/4" NPT
10138-49	B-100-2-3N 2W/2POS 3/8" NPT
10138-51	B-100-2-8T 2W/2POS #8 ORB

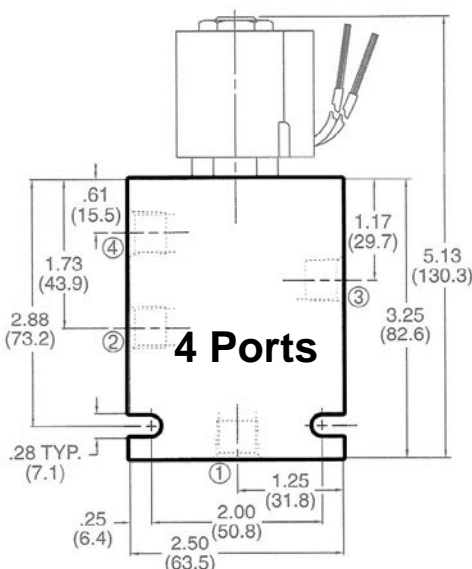
(All cartridge valves & coils sold separately)

#### Three Way Two Position

Part #	Description
10134-93	B-080-3-6T 3W/2POS #6 ORB
10134-98	B-100-3-6T 3W/2POS #6 ORB
10134-99	B-100-3-8T 3W/2POS #8 ORB



#### Four Way Two Position



Part #	Description
10134-35	B-080-4-2N 4W/2 POS 1/4" NPT
10134-38	B-080-4-6T 4W/2 POS #6 ORB
10134-39	B-100-4-2N 4W/2 POS 1/4" NPT
10134-40	B-100-4-3N 4W/2 POS 3/8" NPT
10134-42	B-100-4-8T 4W/2 POS #8 ORB



# CENTRAL HYDRAULICS INC.

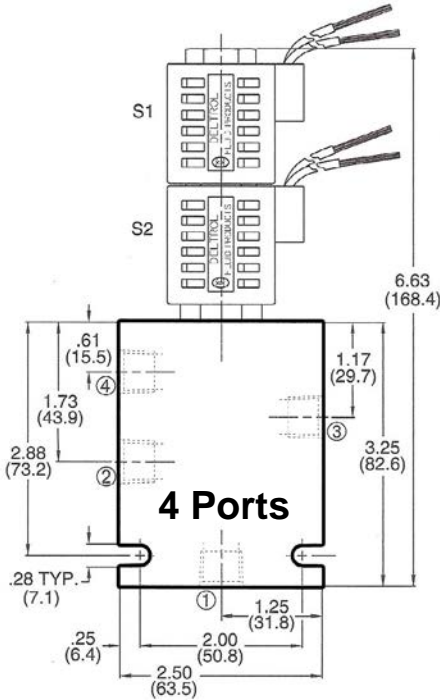
•Daytona Beach •Cocoa •Leesburg •Ocala •Tampa 1-800-264-9571

## Aluminum Cartridge Blocks

### 3000 PSI

(All cartridge valves & coils  
sold separately)

#### Four Way Three Position



Part #	Description
10134-35	B-080-4-2N 4W/3 POS 1/4" NPT
10134-38	B-080-4-6T 4W/3 POS #6 ORB
10134-39	B-100-4-2N 4W/3 POS 1/4" NPT
10134-40	B-100-4-3N 4W/3 POS 3/8" NPT
10134-42	B-100-4-8T 4W/3 POS #8 ORB

# DELTROL

## *fluid products*

DIVISION OF DELTROL CORP

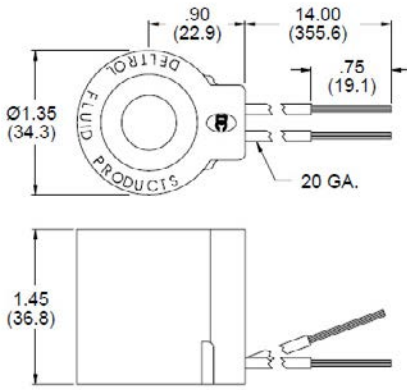


# CENTRAL HYDRAULICS INC.

•Daytona Beach •Cocoa •Leesburg •Ocala •Tampa 1-800-264-9571

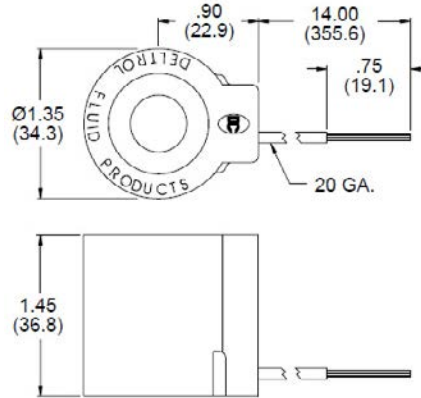
## Solenoid Coil Data

### 80 Series - 1/2" ID Center Hole



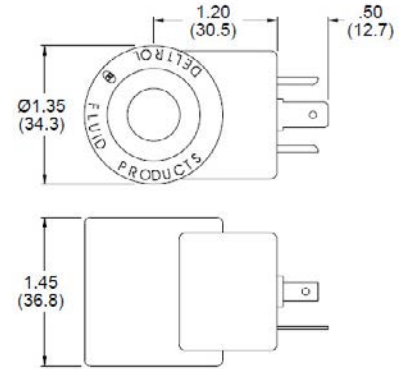
**\*\*D**  
DOUBLE LEADS

PART #	VOLTS	WATTS
10148-57	120v	
10184-42	12v	
10226-37	10v	
10231-42	24v	
10238-66	12v	
10148-51	12v	



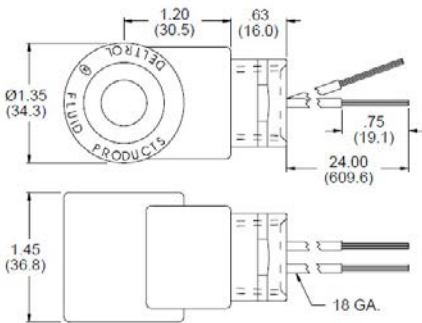
**\*\*S**  
SINGLE LEAD (D'S ONLY)

PART #	VOLTS	WATTS
10226-14	12v	
10148-52	12v	



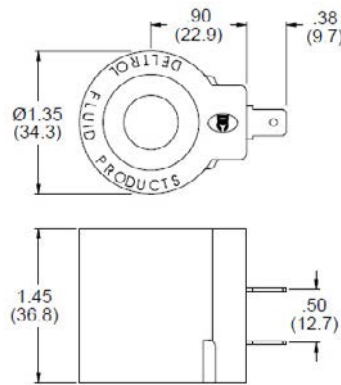
**\*\*H**  
HIRSCHMANN® GSR 200  
(2 POLE + GROUND APPLI-  
ANCE PLUG) TO DIN 43650

PART #	VOLTS	WATTS
10148-79	240v	
10148-80	120v	
10148-81	24v	



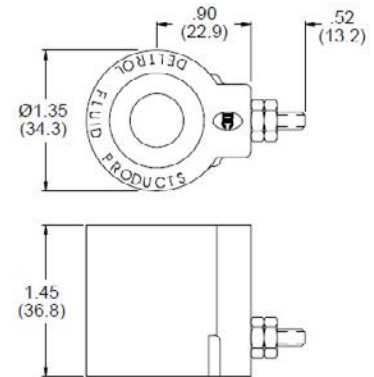
**\*\*C**  
CONDUIT (FEMALE 1/2-14 NPT)

PART #	VOLTS	WATTS
10148-70	120v	



**\*\*B**  
DOUBLE SPADE  
1/4" MALE QUICK CONNECT  
PER SAE J858A (TYPE 1B)

PART #	VOLTS	WATTS
10148-53	12v	
10148-56	120v	
10149-62	24v	
10166-25	20v	16w
10226-37	10v	



**\*\*E**  
SINGLE STUD  
8-32 MALE STUD  
WITH 2 BRASS NUTS

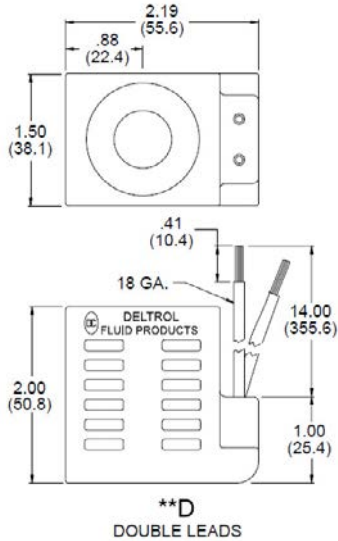
PART #	VOLTS	WATTS
10196-61	12v	
10196-62	24v	

# CENTRAL HYDRAULICS INC.

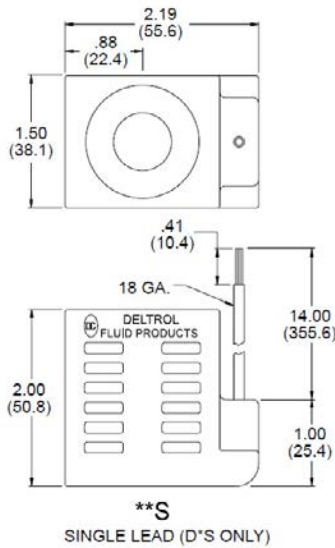
•Daytona Beach •Cocoa •Leesburg •Ocala •Tampa 1-800-264-9571

## Solenoid Coil Data

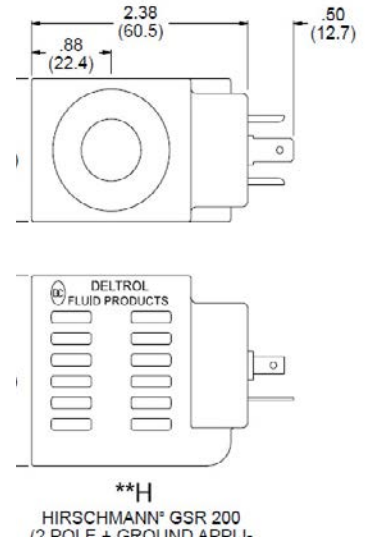
### 100 Series - 5/8" ID Center Hole



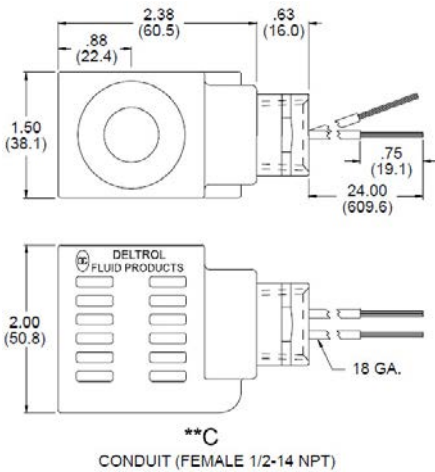
PART #	VOLTS	WATTS
10162-76	12vDC	
10162-77	24vDC	
10162-82	110/120v	



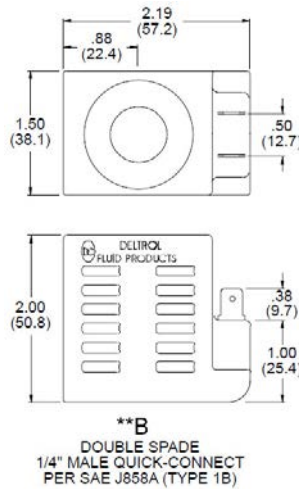
PART #	VOLTS	WATTS
10164-10	12vDC	



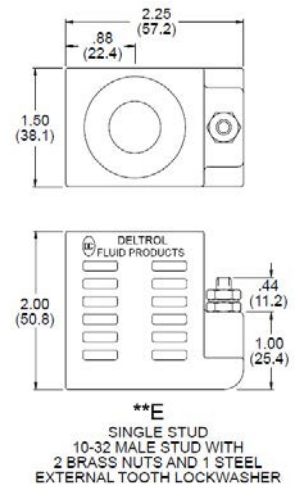
PART #	VOLTS	WATTS
10162-78	12v	
10162-79	24v	
10162-84	120v	
10162-85	240vAC	



PART #	VOLTS	WATTS
10162-86	110v	
10162-87	240vAC	



PART #	VOLTS	WATTS
10162-90	120v	
10162-91	12v	
10162-92	24v	
10164-09	240vDC	



PART #	VOLTS	WATTS
10164-13	12vDC	
10164-14	24vDC	
10164-73	12vDC	

# CENTRAL HYDRAULICS INC.

•Daytona Beach •Cocoa •Leesburg •Ocala •Tampa 1-800-264-9571

## White Drive Products

**WD**  
(145)



WD motors have a smaller outline yet still provide high efficiency across a wide performance range and an economical solution for medium duty applications.

Typical applications include agriculture, conveyors, carwashes, sweepers and food processing.

**Displacement** - 1.5 - 23.5 in/rev  
**Max. Speed** - 1361 RPM  
**Max. Pressure** - 2000 psi  
**Max. Torque** - 4248 lb-in  
**Max. Flow** - 16 gpm

**WP**  
(155)



WP motors deliver significant power in a compact package, important where application space is at a premium and torque cannot be sacrificed.

Typical applications include grain augers, spreaders, hay rakes, carwashes, combines and food processing.

**Displacement** - 1.5 - 24.4 in/rev  
**Max. Speed** - 1570 RPM  
**Max. Pressure** - 2320 psi  
**Max. Torque** - 4248 lb-in  
**Max. Flow** - 16 gpm



**RS**  
(200)



WR motors are an upgrade to the RS motor used in light to medium duty applications and delivers greater performance in pressure, speed, and torque. Integral check valves offer improved seal life.

Typical applications include lightweight wheel drives, positioners, conveyors, swing drives, feed rollers, screw drives and spinners.

**Displacement** - 2.5 - 23.5 in/rev  
**Max. Speed** - 1110 RPM  
**Max. Pressure** - 2500 psi  
**Max. Torque** - 4873 lb-in  
**Max. Flow** - 16 gpm

**WR**  
(255)



WR motors are an upgrade to the RS motor used in light to medium duty applications and delivers greater performance in pressure, speed, and torque. Integral check valves offer improved seal life.

Typical applications include lightweight wheel drives, positioners, conveyors, swing drives, feed rollers, screw drives and spinners.

**Displacement** - 2.5 - 23.5 in/rev  
**Max. Speed** - 1110 RPM  
**Max. Pressure** - 2500 psi  
**Max. Torque** - 4873 lb-in  
**Max. Flow** - 16 gpm

# CENTRAL HYDRAULICS INC.

•Daytona Beach •Cocoa •Leesburg •Ocala •Tampa 1-800-264-9571

## White Drive Products

### HK (315)



HK motor/brakes are a performance matched brake package utilizing BK brake and HB motor technologies.

The result is a proven, compact, intergrated package suitable for applications needing holding capability up to 10,000 lb-in along with smooth efficient drive motor performance.

**Displacement** - 3.2 - 24.9 in/rev  
**Max. Speed** - 700 RPM  
**Max. Pressure** - 3000 psi  
**Max. Torque** - 8400 lb-in  
**Max. Flow** - 20 gpm

### CE (400, 410, 420, 430)



CE motors are 10-25% lighter and more compact than comparable designs, providing the perfect solution for medium duty applications with space restrictions.

Typical applications include medium duty wheel drives, grapple heads, feed rollers and broom drives.

**Displacement** - 7.4 - 45.6 in/rev  
**Max. Speed** - 370 RPM  
**Max. Pressure** - 3000 psi  
**Max. Torque** - 9575 lb-in  
**Max. Flow** - 20 gpm



### WG (275, 277, 280)



WG motors incorporated a needle bearing to provide and espically solid platform for any medium duty application where side load ay present a concern.

Typical application include light to medium duty wheel drives, feed rollers, augers, brush drives and conveyors.

**Displacement** - 2.5 - 24.4 in/rev  
**Max. Speed** - 830 RPM  
**Max. Pressure** - 2000 psi  
**Max. Torque** - 4850 lb-in  
**Max. Flow** - 15 gpm

### HB (300, 310, 320)



HB motors are designed for applications requiring peak efficiency in continuous operation, while providing high performance at low flow rates.

Typical applications include medium duty wheel drives, spinners, chippers, broom drives, auger and machine tool indexers.

**Displacement** - 3.2 - 24.9 in/rev  
**Max. Speed** - 700 RPM  
**Max. Pressure** - 3000 psi  
**Max. Torque** - 8400 lb-in  
**Max. Flow** - 20 gpm

# CENTRAL HYDRAULICS INC.

•Daytona Beach •Cocoa •Leesburg •Ocala •Tampa 1-800-264-9571

## White Drive Products

### DT

(700, 701, 710, 740)



DT motors provides tremendous torque for medium to heavy duty applications. Heavy duty shaft bearings allow high load carrying capabilities, while many shaft options provide solutions for a wide variety of applications.

Typical applications include heavy duty wheel drives, concrete mixing machines, pumping units, conveyors, boring machines and rotators.

**Displacement** - 18.3 - 127.7 in/rev  
**Max. Speed** - 320 RPM  
**Max. Pressure** - 3000 psi  
**Max. Torque** - 23550 lb-in  
**Max. Flow** - 25 gpm

### WS

(350, 355, 357)



WS motors feature a robust design for medium duty applications and high flow rates--a three zone commutator valve for higher flow capacity; heavy duty tapered roller bearings for increased side load; and a larger drive link to better withstand pressure and torque spikes.

Typical applications include skid steer attachments, augers, mowers, and harvesting equipment.

**Displacement** - 4.8 - 30.3 in/rev  
**Max. Speed** - 870 RPM  
**Max. Pressure** - 3000 psi  
**Max. Torque** - 7295 lb-in  
**Max. Flow** - 20 gpm

### RE

(500, 510, 520, 530, 540)



RE motors provide excellent value for medium to heavy duty applications. The patented balance plate design assures high volumetric efficiency at start-up and high torque in running conditions.

Typical applications include medium duty wheel drives, mixers, augers, grapple heads, winch drives, swing drives and broom drives

**Displacement** - 7.4 - 45.6 in/rev  
**Max. Speed** - 370 RPM  
**Max. Pressure** - 3000 psi  
**Max. Torque** - 9700 lb-in  
**Max. Flow** - 20 gpm

### DR

(600, 610, 620, 630, 640)



HB motors are designed for applications requiring peak efficiency in continuous operation, while providing high performance at low flow rates.

Typical applications include medium duty wheel drives, spinners, chippers, broom drives, auger and machine tool indexers.

**Displacement** - 12.4 - 45.6 in/rev  
**Max. Speed** - 470 RPM  
**Max. Pressure** - 3000 psi  
**Max. Torque** - 9800 lb-in  
**Max. Flow** - 25 gpm

# CENTRAL HYDRAULICS INC.

•Daytona Beach •Cocoa •Leesburg •Ocala •Tampa 1-800-264-9571

## White Drive Products

**BK**  
(910, 914)



BK brakes provide up to 10,000 lb-in. of holding torque. This compact spring-applied, hydraulically released brake eliminates the cables, linkages, cylinders and brackets used in other brake systems, providing a simpler, more cost-effective solution.

Typical applications include wheel drives, positioners, conveyors, door openers and swing drives.

**Max. Speed** - 870 RPM

**Release Pressure** - 400 psi

**Max. Rel. Pressure** - 3000 psi

**Release Volume** - 0.7 cu.in.

**D9**  
(800)



D9 motors are the strongest in the product line, ruggedly constructed and able to operate in extreme conditions in a variety of applications, offering higher flow capabilities and greater axial and radial load capacities.

Typical applications include construction machinery, agricultural machinery and associated attachments.

**Displacement** - 15.6 - 62.7 in<sup>3</sup>/rev

**Max. Speed** - 370 RPM

**Max. Pressure** - 3000 psi

**Max. Torque** - 9575 lb-in

**Max. Flow** - 20 gpm

**SB**  
(930)



SB brakes feature a multiple-wet-disc design for superior performance in an extremely compact package, providing a holding capacity in excess of 5,500 lb-in.

SB brakes are easily mated to a variety of global industry standard motor mounting and shaft options, and can be used as a stand-alone brake without an input drive motor

**FD**  
(950)



The FD flow divider is the most accurate available. Our patented Roller Stator design reduces internal leakage and friction, resulting in higher efficiency and providing more accurate output flows and quieter operation.

Typical applications include cylinder synchronization, parallel motor circuits and pressure intensification

**Holding Torque** - 2000-5000 lb-in

**Release Volume** - 0.51 cu.in.

**Release Pressure** - 290 psi

**Max. Rel. Pressure** - 3625 psi

**Flow** - 2 -40 gpm

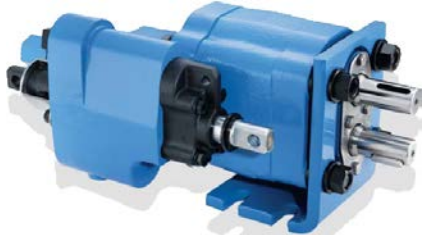
**Max. Pressure** - 3000 psi

**Max. Pressure Differential Between Ports** - 2500 psi

# CENTRAL HYDRAULICS INC.

•Daytona Beach •Cocoa •Leesburg •Ocala •Tampa 1-800-264-9571

## Dump Pumps and Accessories



**Pump/valve assembly  
for heavy and medium  
duty dump trucks and  
dump trailers**



### DM-640 (C101)

Central Hydraulic Series	IN	GPM/900 rpm/ 2000 psi	GPM/1500 rpm/ 2000 PSI	GPM/1500rpm / 2000 psi
DM-640-25/DMD-25	6.4	21.0	29.0	37.5

### DMD-25 (C102)

**Permco Dump Pump Features** • Direct mount SAE “B” 4 bolt or twin shafted remote mount with bracket (DM-640) or built-in mounting bracket (DMR-400) • Manual shift, “OEM” air shift (DM-640 and DMD-25 only), or after market air shift, each with full metering capabilities • 100% factory tested • Heavy duty “controlled stress” roller bearings • Pump and cylinder protected in the raise and neutral position of the spool • 2 or 3 line configurations available • 2 extended studs for easy installation of pump support bracket on direct mount (DMD-20 and DMD-25 only) • Built-in load check maintains dump body angle and is installed in the cylinder port for superior self-cleaning • Built-in direct acting relief valve set at factory • Neutral lock-out safety cap for use with pull-out cable • High strength alloy steel gear and shaft set



### DMD-400

**Pump/valve assembly  
for heavy and medium  
duty dump trucks and  
dump trailers**



### DMR-400

Central Hydraulic Series	IN	GPM/900 rpm/ 2000 psi	GPM/1500 rpm/ 2000 PSI	GPM/1500rpm / 2000 psi
DMR/DMD-300	3.0	10.0	14.0	17.5
DMR/D,D-400	4.0	13.5	19.0	24.0

The PRM P1229 air valve controls both the Dump Pump and the PTO in one lever. There are options for detent of the lever controlling the pump and a PTO kickout.



The APS C-3505-DM is an air shift cylinder that fits the DMD-25 and DM-640 Dump Pump as well as all other units of similar design.





# CENTRAL HYDRAULICS INC.

•Daytona Beach •Cocoa •Leesburg •Ocala •Tampa 1-800-264-9571

## Hydraulic Gear Pump



**Model GP-F20** offers aluminium body and cast Iron end plate construction, high pressure Hydraulic Gear Pump with 11 displacement sizes from 0.24 to 1.95 cu.in/rev.

### **F20 - 5/8" 9 TOOTH SPLINE SHAFT SAE A - 2 Bolt Flange Mount**

PART #	cu.in/ rev	Rotation	MAX psi	MAX RPM	GPM@ 1800rpm	SAE Ports
GP-F20-04-S9-A	0.24	C.C.W.	3650	3600	1.87	<b>INLET</b> #12 ORB 1-1/16"-12  <b>OUTLET</b> #10 ORB 7/8"-14
GP-F20-04-S9-C	0.24	C.W.	3650	3600	1.87	
GP-F20-06-S9-A	0.36	C.C.W.	3650	3600	2.81	
GP-F20-06-S9-C	0.36	C.W.	3650	3600	2.81	
GP-F20-08-S9-A	0.48	C.C.W.	3650	3600	3.74	
GP-F20-08-S9-C	0.48	C.W.	3650	3600	3.74	
GP-F20-10-S9-A	0.61	C.C.W.	3650	3600	4.75	
GP-F20-10-S9-C	0.61	C.W.	3650	3600	4.75	
GP-F20-12-S9-A	0.73	C.C.W.	3650	3600	5.69	
GP-F20-12-S9-C	0.73	C.W.	3650	3600	5.69	
GP-F20-14-S9-A	0.85	C.C.W.	3650	3600	6.62	
GP-F20-14-S9-C	0.85	C.W.	3650	3600	6.62	
GP-F20-16-S9-A	0.97	C.C.W.	2900	3600	7.56	
GP-F20-16-S9-C	0.97	C.W.	2900	3600	7.56	
GP-F20-20-S9-A	1.22	C.C.W.	2900	3600	9.51	
GP-F20-20-S9-C	1.22	C.W.	2900	3600	9.51	
GP-F20-25-S9-A	1.52	C.C.W.	2900	3600	11.84	
GP-F20-25-S9-C	1.52	C.W.	2900	3600	11.84	
GP-F20-30-S9-A	1.83	C.C.W.	2300	3600	14.26	<b>INLET</b> #16 ORB 1-5/16"-12 <b>OUTLET</b> #12 ORB 1-1/16"-12
GP-F20-30-S9-C	1.83	C.W.	2300	3600	14.26	
GP-F20-32-S9-A	1.95	C.C.W.	2300	3600	15.20	
GP-F20-32-S9-C	1.95	C.W.	2300	3600	15.20	

# CENTRAL HYDRAULICS INC.

•Daytona Beach •Cocoa •Leesburg •Ocala •Tampa 1-800-264-9571

## Hydraulic Gear Pump

**Model GP-F20** offers aluminium body and cast Iron end plate construction, high pressure Hydraulic Gear Pump with 11 displacement sizes from 0.24 to 1.95 cu.in/rev.



### F20 - 5/8" KEYED SHAFT SAE A - 2 Bolt Flange Mount

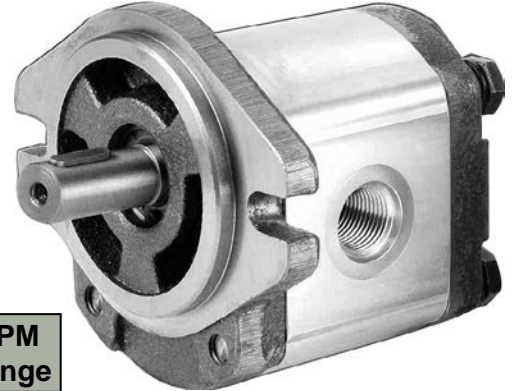
PART #	cu.in/ rev	Rotation	MAX psi	MAX RPM	GPM@ 1800rpm	SAE Ports
GP-F20-04-P-A	0.24	C.C.W.	3650	3600	1.87	<b>INLET</b> #12 ORB 1-1/16"-12  <b>OUTLET</b> #10 ORB 7/8"-14
GP-F20-04-P-C	0.24	C.W.	3650	3600	1.87	
GP-F20-06-P-A	0.36	C.C.W.	3650	3600	2.81	
GP-F20-06-P-C	0.36	C.W.	3650	3600	2.81	
GP-F20-08-P-A	0.48	C.C.W.	3650	3600	3.74	
GP-F20-08-P-C	0.48	C.W.	3650	3600	3.74	
GP-F20-10-P-A	0.61	C.C.W.	3650	3600	4.75	
GP-F20-10-P-C	0.61	C.W.	3650	3600	4.75	
GP-F20-12-P-A	0.73	C.C.W.	3650	3600	5.69	
GP-F20-12-P-C	0.73	C.W.	3650	3600	5.69	
GP-F20-14-P-A	0.85	C.C.W.	3650	3600	6.62	
GP-F20-14-P-C	0.85	C.W.	3650	3600	6.62	
GP-F20-16-P-A	0.97	C.C.W.	2900	3600	7.56	
GP-F20-16-P-C	0.97	C.W.	2900	3600	7.56	
GP-F20-20-P-A	1.22	C.C.W.	2900	3600	9.51	
GP-F20-20-P-C	1.22	C.W.	2900	3600	9.51	
GP-F20-25-P-A	1.52	C.C.W.	2900	3600	11.84	
GP-F20-25-P-C	1.52	C.W.	2900	3600	11.84	
GP-F20-30-P-A	1.83	C.C.W.	2300	3600	14.26	<b>INLET</b> #16 ORB 1-5/16"-12 <b>OUTLET</b> #12 ORB 1-1/16"-12
GP-F20-30-P-C	1.83	C.W.	2300	3600	14.26	
GP-F20-32-P-A	1.95	C.C.W.	2300	3600	15.20	
GP-F20-32-P-C	1.95	C.W.	2300	3600	15.20	

# CENTRAL HYDRAULICS INC.

•Daytona Beach •Cocoa •Leesburg •Ocala •Tampa 1-800-264-9571

## Hydraulic Gear Pump

### 3/4" LONG KEYED SHAFT



#### Performance Data

PART # (L)CW (R)CCW	ci.	Continuous PSI	GPM@ 1800rpm	PORT	RPM Range
2GG9U05L	.30	3500(25)	2.34	INLET #12 ORB 1-1/16"-12	600
2GG9U05R	.30	3500(25)	2.34		
2GG9U07L	.43	3500(25)	3.35		
2GG9U07R	.43	3500(25)	3.35		
2GG9U08L	.52	3500(25)	4.05		
2GG9U08R	.52	3500(25)	4.05		
2GG9U09L	.58	3500(25)	4.52		
2GG9U09R	.58	3500(25)	4.52		
2GG9U11L	.69	3500(25)	5.38		
2GG9U11R	.69	3500(25)	5.38		
2GG9U14L	.85	3500(25)	6.62		
2GG9U14R	.85	3500(25)	6.62		
2GG9U16L	.98	3500(25)	7.63		
2GG9U16R	.98	3500(25)	7.63		
2GG9U18L	1.10	3500(25)	8.57		
2GG9U18R	1.10	3500(25)	8.57		
2GG9U20L	1.20	3500(25)	9.35		
2GG9U20R	1.20	3500(25)	9.35		
2GG9U22L	1.31	3500(25)	10.20		
2GG9U22R	1.31	3500(25)	10.20		
2GG9U24L	1.44	2550(18)	11.22		
2GG9U24R	1.44	2550(18)	11.22		
2GG9U26L	1.53	2550(18)	11.92		
2GG9U26R	1.53	2550(18)	11.92		
2GG9U28L	1.71	2550(18)	13.32		
2GG9U28R	1.71	2550(18)	13.32		
2GG9U30L	1.84	2550(18)	14.34		
2GG9U30R	1.84	2550(18)	14.34		
2GG9U33L	2.02	2550(18)	15.74		
2GG9U33R	2.02	2550(18)	15.74		

2G cast iron pump covers ensure up to 3500 psi working pressure. The extruded body and pressure loaded bearing blocks are made from the highest quality aluminum. Precision machined ne peice steel gears guarantee the highest performance standard available. Honor gear pumps are well suited for both industrial and mobile applications, and are very competitive so you can meet the competition with a good price advantage.

$$\frac{\text{cu in / Rev} \times \text{RPM}}{231} = \text{GPM}$$

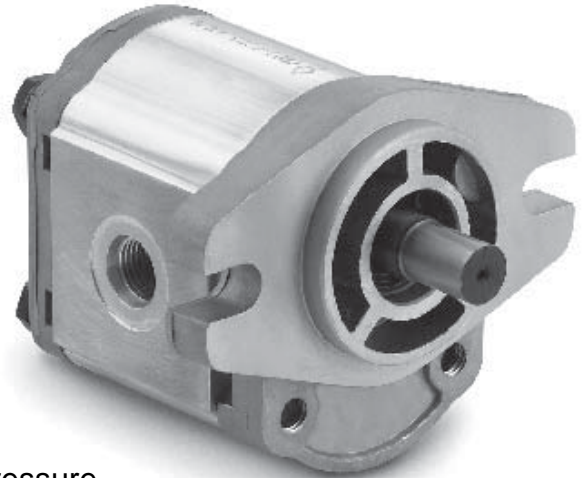
Figure for 85% efficiency  
GPM x .85 = Actual GPM

# CENTRAL HYDRAULICS INC.

•Daytona Beach •Cocoa •Leesburg •Ocala •Tampa 1-800-264-9571

## Hydraulic Gear Pump

### F10 - 1/2" Dia. Straight SAE AA - 2 Bolt Flange Mount 2" Pilot



Model GP-F10 is an all aluminium construction, high pressure Hydraulic Gear Pump with 7 displacement sizes from 0.07 to 0.48 cu.in/rev. (1.3 to 8.0 cm<sup>3</sup>/rev). The standard mounting flange is SAE AA – 2 bolt, standard ports are SAE-8 inlet and SAE-6 outlet, and standard drive shaft is 1/2 inch straight shaft with 1/8 inch key.

PART #	cu.in/ rev	Rotation	MAX psi	MAX RPM	GPM@ 1800rpm	SAE Ports
GP-F10-13-P-A	0.08	C.C.W.	3650	5000	0.62	<b>INLET</b> #8 ORB 3/4"-16  <b>OUTLET</b> #6 ORB 9/16"-18
GP-F10-13-P-C	0.08	C.W.	3650	5000	0.62	
GP-F10-20-P-A	0.12	C.C.W.	3650	5000	0.94	
GP-F10-20-P-C	0.12	C.W.	3650	5000	0.94	
GP-F10-27-P-A	0.16	C.C.W.	3650	5000	1.25	
GP-F10-27-P-C	0.16	C.W.	3650	5000	1.25	
GP-F10-34-P-A	0.20	C.C.W.	3650	5000	1.56	
GP-F10-34-P-C	0.20	C.W.	3650	5000	1.56	
GP-F10-41-P-A	0.25	C.C.W.	3650	4000	1.95	
GP-F10-41-P-C	0.25	C.W.	3650	4000	1.95	
GP-F10-51-P-A	0.31	C.C.W.	3650	4000	2.42	
GP-F10-51-P-C	0.31	C.W.	3650	4000	2.42	
GP-F10-61-P-A	0.37	C.C.W.	2900	4000	2.88	
GP-F10-61-P-C	0.37	C.W.	2900	4000	2.88	
GP-F10-80-P-A	0.48	C.C.W.	2900	4000	3.74	
GP-F10-80-P-C	0.48	C.W.	2900	4000	3.74	

# CENTRAL HYDRAULICS INC.

•Daytona Beach •Cocoa •Leesburg •Ocala •Tampa 1-800-264-9571

## Hydraulic Gear Pump



**Model GP-F20** offers aluminium body and cast Iron end plate construction, high pressure Hydraulic Gear Pump with 11 displacement sizes from 0.24 to 1.95 cu.in/rev.

### F20 - 3/4" Dia. Straight SAE A - 2 Bolt Flange Mount

Part #	cu.in/rev	Rotation	PSI	MAX RPM	GPM@ 1800	SAE Ports
GP-F20-04-P1-A	0.24	C.C.W.	3650	3600	1.87	<b>INLET</b> #12 ORB 1-1/16"-12  <b>OUTLET</b> #10 ORB 7/8"-14
GP-F20-04-P1-C	0.24	C.W.	3650	3600	1.87	
GP-F20-06-P1-A	0.36	C.C.W.	3650	3600	2.81	
GP-F20-06-P1-C	0.36	C.W.	3650	3600	2.81	
GP-F20-08-P1-A	0.48	C.C.W.	3650	3600	3.74	
GP-F20-08-P1-C	0.48	C.W.	3650	3600	3.74	
GP-F20-10-P1-A	0.61	C.C.W.	3650	3600	4.75	
GP-F20-10-P1-C	0.61	C.W.	3650	3600	4.75	
GP-F20-12-P1-A	0.73	C.C.W.	3650	3600	5.69	
GP-F20-12-P1-C	0.73	C.W.	3650	3600	5.69	
GP-F20-14-P1-A	0.85	C.C.W.	3650	3600	6.62	
GP-F20-14-P1-C	0.85	C.W.	3650	3600	6.62	
GP-F20-16-P1-A	0.97	C.C.W.	2900	3600	7.56	
GP-F20-16-P1-C	0.97	C.W.	2900	3600	7.56	
GP-F20-20-P1-A	1.22	C.C.W.	2900	3600	9.50	<b>INLET</b> #16 ORB 1-5/16"-12 <b>OUTLET</b> #12 ORB 1-1/16"-12
GP-F20-20-P1-C	1.22	C.W.	2900	3600	9.50	
GP-F20-25-P1-A	1.52	C.C.W.	2900	3600	11.84	
GP-F20-25-P1-C	1.52	C.W.	2900	3600	11.84	
GP-F20-30-P1-A	1.83	C.C.W.	2300	3600	14.26	
GP-F20-30-P1-C	1.83	C.W.	2300	3600	14.26	
GP-F20-32-P1-A	1.95	C.C.W.	2300	3600	15.19	
GP-F20-32-P1-C	1.95	C.W.	2300	3600	15.19	

# CENTRAL HYDRAULICS INC.

•Daytona Beach •Cocoa •Leesburg •Ocala •Tampa 1-800-264-9571

## Hydraulic Gear Pump



### F25 7/8" Keyed Shaft 2 Bolt "B" Flange 4" Pilot Side Ported

Model GP-F25 is a aluminium center section and cast iron end plate construction, high pressure Hydraulic Gear Pump with 10 displacement sizes from 1.34 to 5.43 cu. in/rev.

Part #	cu.in/rev	Rotation	PSI	MAX RPM	SAE ORB Ports
GP-F25-22-P-C	1.34	C.W.	3625	3000	<b>INLET</b> #16 ORB 1-5/16"-12
GP-F25-22-P-A	1.34	C.C.W.	3625	3000	
GP-F25-25-P-C	1.59	C.W.	3625	3000	
GP-F25-25-P-A	1.59	C.C.W.	3625	3000	
GP-F25-34-P-C	2.07	C.W.	3625	3000	
GP-F25-34-P-A	2.07	C.C.W.	3625	3000	
GP-F25-39-P-C	2.38	C.W.	3625	3000	
GP-F25-39-P-A	2.38	C.C.W.	3625	3000	
GP-F25-43-P-C	2.62	C.W.	3625	2800	
GP-F25-43-P-A	2.62	C.C.W.	3625	2800	
GP-F25-51-P-C	3.11	C.W.	3625	2800	
GP-F25-51-P-A	3.11	C.C.W.	3625	2800	
GP-F25-60-P-C	3.84	C.W.	2900	2800	
GP-F25-60-P-A	3.84	C.C.W.	2900	2800	
*GP-F25-70-P-C	4.27	C.W.	2900	2500	<b>INLET</b> #20 ORB 1-5/8"-12
*GP-F25-70-P-A	4.27	C.C.W.	2900	2500	
*GP-F25-78-P-C	4.76	C.W.	2900	2300	
*GP-F25-78-P-A	4.76	C.C.W.	2900	2300	
*GP-F25-89-P-C	5.43	C.W.	2300	2000	
*GP-F25-89-P-A	5.43	C.C.W.	2300	2000	

# CENTRAL HYDRAULICS INC.

•Daytona Beach •Cocoa •Leesburg •Ocala •Tampa 1-800-264-9571

## Hydraulic Gear Pump

F25 7/8-13tooth Spline Shaft  
2 Bolt "B" Flange 4" Pilot  
**Side Ported**



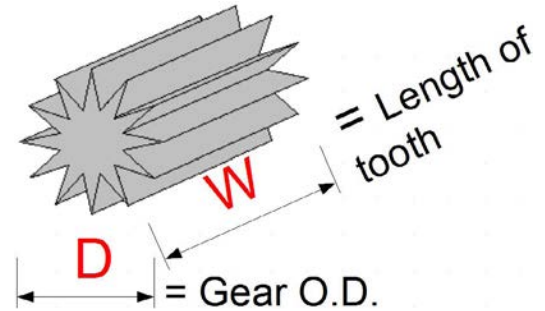
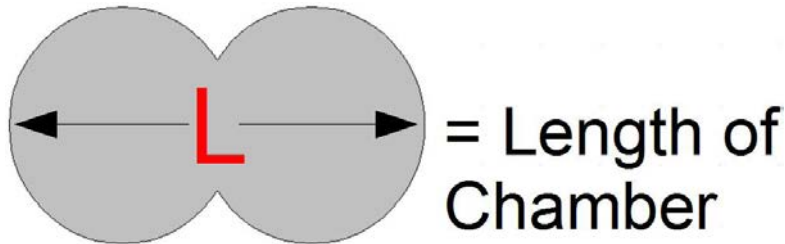
Model GP-F25 is a aluminium center section and cast iron end plate construction, high pressure Hydraulic Gear Pump with 10 displacement sizes from 1.34 to 5.43 cu. in/rev.

Part #	cu.in/rev	Rotation	PSI	Max RPM	SAE ORB Ports
GP-F25-22-S13-C	1.34	C.W.	3625	3000	<b>INLET</b> #16 ORB 1-5/16"-12  <b>OUTLET</b> #12 ORB 1-1/16"-12
GP-F25-22-S13-A	1.34	C.C.W.	3625	3000	
GP-F26-26-S13-C	1.59	C.W.	3625	3000	
GP-F26-26-S13-A	1.59	C.C.W.	3625	3000	
GP-F25-34-S13-C	2.07	C.W.	3625	3000	
GP-F25-34-S13-A	2.07	C.C.W.	3625	3000	
GP-F25-39-S13-C	2.38	C.W.	3625	3000	
GP-F25-39-S13-A	2.38	C.C.W.	3625	3000	
GP-F25-43-S13-C	2.62	C.W.	3625	2800	
GP-F25-43-S13-A	2.62	C.C.W.	3625	2800	
GP-F25-51-S13-C	3.11	C.W.	3625	2800	
GP-F25-51-S13-A	3.11	C.C.W.	3625	2800	
GP-F25-60-S13-C	3.84	C.W.	2900	2800	
GP-F25-60-S13-A	3.84	C.C.W.	2900	2800	
*GP-F25-70-S13-C	4.27	C.W.	2900	2500	<b>INLET</b> #20 ORB 1-5/8"-12  <b>OUTLET</b> #16 ORB 1-5/16"-12
*GP-F25-70-S13-A	4.27	C.C.W.	2900	2500	
*GP-F25-78-S13-C	4.76	C.W.	2900	2300	
*GP-F25-78-S13-A	4.76	C.C.W.	2900	2300	
*GP-F25-89-S13-C	5.43	C.W.	2300	2000	
*GP-F25-89-S13-A	5.43	C.C.W.	2300	2000	

# CENTRAL HYDRAULICS INC.

•Daytona Beach •Cocoa •Leesburg •Ocala •Tampa 1-800-264-9571

## Gear Pump Formulas



To calculate the GPM at 1800rpm by measurements of the pump.

$$47 \times W \times (2D - L) \times \frac{(L - D)}{2}$$

To calculate the cubic inch displacement if you have GPM & speed.

$$\frac{\text{GPM} \times 231}{\text{Speed}} = \text{Cubic Inch}$$

To calculate the GPM if you know displacement & speed.

$$\frac{\text{Cubic inch} \times \text{Speed}}{231} = \text{GPM}$$

To calculate the HP if you know the torque and speed of the motor.

$$\frac{\text{Inch lbs of torque} \times \text{RPM}}{63024} = \text{HP}$$

To calculate the HP required if you know the pressure and GPM of the pump.

$$\frac{\text{Pressure} \times \text{GPM}}{1714} = \text{HP Required to drive the pump}$$

\*Good rule of thumb\*

Allow for:  $\frac{3}{4}$ hp per 1 gal. @ 1000psi  
1- $\frac{1}{2}$ hp per 1 gal. @ 2000psi  
2hp per 1 gal. @ 3000psi

\*Fact\*

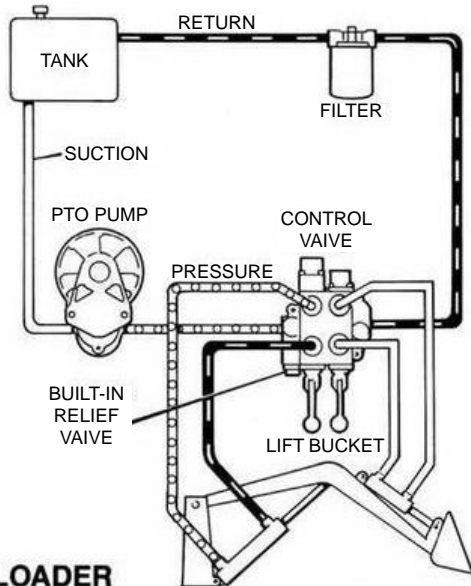
231 ci = 1 gal



# CENTRAL HYDRAULICS INC.

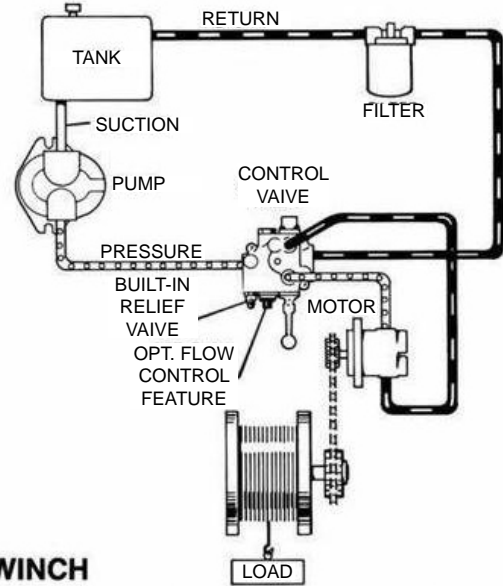
•Daytona Beach •Cocoa •Leesburg •Ocala •Tampa 1-800-264-9571

## Sample Hydraulic Systems



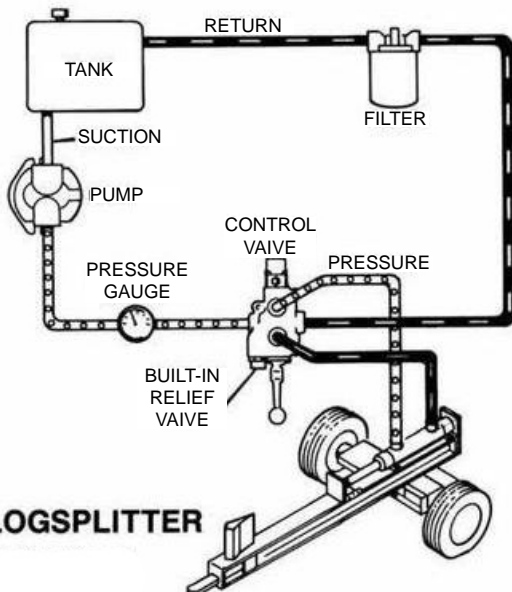
**LOADER**

The above system shows a front end loader powered by a PTO driven pump. A 2-spool directional control valve with built-in relief controls the lift and bucket cylinders of the loader. A return line filter is used to prevent contamination.



**WINCH**

The diagram shows a winch powered by a hydraulic motor. The directional control valve with built-in relief features optional flow control to control the speed of the winch. The hydraulic pump and motor must be matched to the torque requirements of the winch.



**LOGSPLITTER**

A directional control valve with optional pressure kickout feature controls a double acting cylinder. A pressure gauge is recommended to help spot potential system problems. The tank should be at least one and a half times the pump gpm output and the oil level must remain above the pump intake at all times.

### Useful Formulas

PSI	=	$\frac{\text{FORCE}}{\text{AREA}}$
CYL. AREA (sq. in.)	=	$\pi r^2$
FORCE (lbs.)	=	PSI x AREA
CYL. SPEED (ft. per second)	=	$\frac{.3208 \times \text{GPM}}{\text{AREA}}$
HORSE POWER	=	$\frac{\text{PSI} \times \text{GPM}}{1714}$
HORSE POWER (Fluid motor)	=	$\frac{\text{TORQUE}(\text{in. lbs.}) \times \text{RPM}}{63025}$
TORQUE (in lbs.)	=	$\frac{\text{PSI} \times \text{DISP.}(\text{cu.in.})}{2 \pi}$
RPM	=	$\frac{231 \times \text{GPM}}{\text{DISP.}(\text{cu.in.})}$
GPM (pump outflow)	=	$\frac{\text{RPM} \times \text{DISP.}(\text{cu.in.})}{231}$

# CENTRAL HYDRAULICS INC.

•Daytona Beach •Cocoa •Leesburg •Ocala •Tampa 1-800-264-9571

## Lift Gate Motors

### 12v Heavy Duty

#### MONARCH

*\*Position 3/9 Bolts*



#### **MON8111**

CCW, TANG  
Heavy Duty  
SERIES  
MDY, MHA, MHN,  
MMY, MUE

7027	7068	4001	4001-A
7057	7059	7004	6106
6001	6001-S	7006	BMT0021
8111-D	8111-A	4005	8112

#### FENNER (spx)



#### **SPX KMD-1**

CW, 9-SPLINE  
Heavy Duty  
SERIES  
MDY, MFX, MMY

6116-S	7032-A	7039	7061
7022	7032-B	7039-S	7063
7031	7037	7042	7066
7032	7037-S	7042-A	7066-S
4002	4001-S	4001	

#### FENNER (spx)



#### **AMT0077**

CW, TANG  
Heavy Duty

1175-AC	1197-AC	1787-AC	1789-AC
1185-AC	1931-AC	1785-AC	

#### MAXON

*\*Position 5/11 Bolts*



#### **BMT0167**

CCW, TANG  
Heavy Duty

	6119
229272	250093
P33818	39200398
MYD7057	6104

*\*position of mounting bolt when facing the drive & hot post is at 12:00\**

# CENTRAL HYDRAULICS INC.

•Daytona Beach •Cocoa •Leesburg •Ocala •Tampa 1-800-264-9571

## Diaphragm Pumps



### 1:1 Air Powered Double Diaphragm Pumps

**1/4" 8301 Alemite 4gpm**

**3/8" 7gpm Free Flow Rate**

Acetal Plastic Housing / Hytrel Diaphragm

**Graco-Part # - D31255**

**1/2" 8322 Alemite 15gpm**

Applications:

- Oil Transfer
- Water / Anti-freeze
- Windshield Washer Fluid

**3/4" 16gpm Free Flow Rate**

Aluminum Housing / Buna N Diaphragm

**Graco- Part # - 241906**

Applications:

- Oil Transfer
- Oil Evacuation
- Water / Anti-freeze
- Windshield Washer Fluid

**1" 40gpm Free Flow Rate**

Aluminum Housing / Hytrel Diaphragm

**Graco- Part # - 647666**

**1" #8323 Alemite 45gpm Buna**

Applications:

- Oil Transfer
- Oil Evacuation
- Water / Anti-freeze

**1" 40gpm Free Flow Rate**

Aluminum Housing / Hytrel Diaphragm

**Graco- Part # - 647016**

**1" #8325 Alemite 45gpm Buna UL Listed**

Applications:

- Diesel Fuel Transfer
- Oil Evacuation
- Water / Anti-freeze
- Harder Check Balls for Thermal Expansion

**1.5" 90gpm Free Flow Rate**

Aluminum Housing / Hytrel Diaphragm

**Graco- Part # - DB3525**

**1" #8324 Alemite 106gpm Buna**

Applications:

- Oil Transfer
- Oil Evacuation
- Water / Anti-freeze

### Accessories:

**55 Gallon Drum  
Adapter**

DTBUSHING



**Air Regulator  
109075**



**Telescoping  
Suction Tube  
100KTG8127**

# CENTRAL HYDRAULICS INC.

•Daytona Beach •Cocoa •Leesburg •Ocala •Tampa 1-800-264-9571

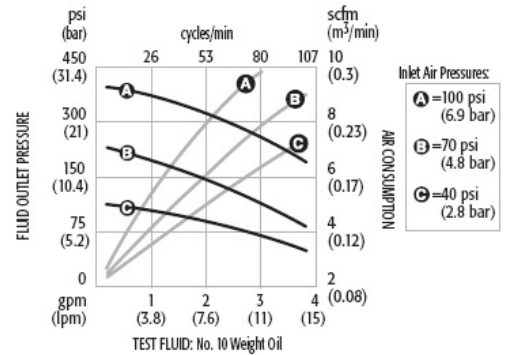
## Oil and Grease Pumps

### Oil Pump Specification

#### Fire-Ball 300, 5:1 Air-Operated Piston Pump

Cycles/gallon(cycles/liter).....	28.4(8.6)
Fluid flow @ 80cpm(gpm/lpm).....	2.8(9.3)
Maximum fluid pressure.....	900psi (62 bar, 6.2 MPa)
Air motor effective diameter.....	3in(76.2mm)
Air operating range.....	40-180 psi 2.8-12 bar (0.28-1.2 MPa)
Approx. air consumption and.....	27 scfm @ 3gpm
fluid flow @ 100psi air and 80 cpm	(0.765m <sup>3</sup> /min @ 115 lpm)
Wetted materials.....	Steel, polyurethane, aluminum, buna-N
Air inlet port size.....	3/8npt(f)
Fluid inlet port size.....	1-1/2 npt(f)
Fluid outlet port size.....	1/2 npt(f)
Instruction manual.....	309869

### Pump Performance



### Typical Fluids Handled

\*Grease up to NGLI #2

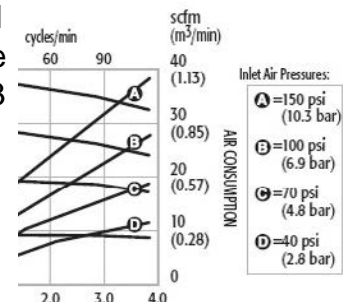


### Grease Pump Specification

#### Fire-Ball 300, 50:1 Air-Operated Piston Pump

Maximum Fluid Pressure.....	8400psi (580 bar)
Air motor effective diameter.....	3in (76.2mm)
Operating range.....	30-140psi (3.0-9.7 bar)
Continuous duty flow rate.....	1.19lb/min
Approx. air consumption @100psi (7 bar).....	22.8cfm
Air inlet.....	3/8 npt(f)
Material outlet.....	1/4 npt(f)
Material inlet.....	slotted
Wetted Parts.....	CS, Delrin, Buna-N, Polyurethane
Instruction Manual.....	300883

### Pump Performance



### Typical Fluids Handled

\*Petroleum and synthetic based oils

# CENTRAL HYDRAULICS INC.

•Daytona Beach •Cocoa •Leesburg •Ocala •Tampa 1-800-264-9571

## Pump for Oil/ATF/Gear Lube

**Key Applications**  
Fluid oil transfer to multiple metered dispense points.

**Key Materials**

- Motor oil
- Synthetic oil
- Hydraulic oil
- Gear oil
- ATF

**Recommended For**

- Service Shops
- Construction Equip. Maintenance
- Service Shops
- Fast Lubes
- Fleet

### 5:1 55gal or 275gal Bung Mounted

Air operated from 40psi to 180psi

Perfect for high pressure fluid oil transfer in medium volume applications! This pump has been the 'crown jewel' of Graco since the 1950's and is the pump of choice in the most demanding environments.



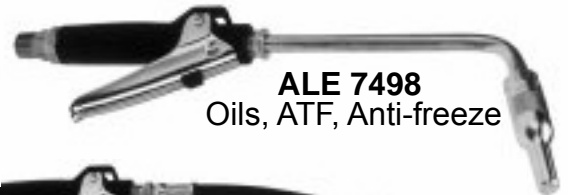
#### Features and Benefits

- Corrosion-resistant design utilizes liquid salt nitriding, nickel plating, stainless steel, aluminum and chrome on key components for longer life.
- Few moving parts in the air motor assembly means less downtime and low repair cost.
- Displacement rods have minimal wear due to a proprietary Graco manufacturing process.
- Large air porting design provides efficient use of compressed air supply for continuous pump operation without icing.
- Thick cast aluminum air motor housing offers unmatched durability.

#### Non-Metered Valves



**ALE 7492**  
Gear Oil



**ALE 7498**  
Oils, ATF, Anti-freeze



**ALE 7498-A**  
Oils, ATF, Anti-freeze



**8078-D**



Hose Reels

with 1/2" x 50FT  
Fluid Hose Assy.

#### Metered Valves



**ALE 3685-F**  
Mechanical



**3670-B**  
Digital

* = included in package	Bung-Mounted pkg.	Bung-Mounted pkg.
Container Size	55gal	275gal
Package No.	225640*	225931*
Pump	204254*	222087
Dispense/Hose Fitting Kit	222063*	222063
Fluid Hose	6ft x 1/2in*	6ft x 1/2in
Air Hose	6ft x 3/8in*	6ft x 3/8in
Air Regulator ( <i>with gauge</i> )	109075 ( <i>optional</i> )	109075
Bung Adapter	222308*	222308

# CENTRAL HYDRAULICS INC.

•Daytona Beach •Cocoa •Leesburg •Ocala •Tampa 1-800-264-9571

## Stub Pump for bulk oil

### 5:1 Air Operated from 40psi to 180psi

#### Key Applications

Fluid oil transfer to multiple metered dispense points.

#### Key Materials

- Motor oil
- Synthetic oil
- Hydraulic oil
- Gear oil
- ATF

#### Recommended For

- Service Shops
- Construction Equip. Maintenance
- Service Shops
- Fast Lubes
- Fleet

Perfect for high pressure fluid oil transfer in medium volume applications! This pump has been the 'crown jewel' of **Graco** since the 1950's and is the pump of choice in the most demanding environments.

#### Features and Benefits

- Corrosion-resistant design utilizes liquid salt nitriding, nickel plating, stainless steel, aluminum and chrome on key components for longer life.
- Few moving parts in the air motor assembly means less downtime and low repair cost.
- Displacement rods have minimal wear due to a proprietary Graco manufacturing process.
- Large air porting design provides efficient use of compressed air supply for continuous pump operation without icing.
- Thick cast aluminum air motor housing offers unmatched durability.



#### Stub Pump

**203876** Fire-Ball 300, 5:1 pump universal

#### Suction Adapters

**SVF HB150X100** 1-1/2" to 1" Bushing

**LIN DTBUSHING** Tank bushing for telescoping tube

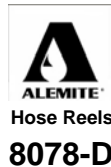
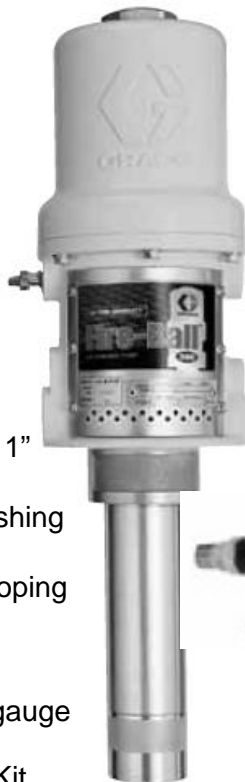
**TUT 100KTG-8127** Telescoping suction tube

#### Optional Accessories

**109075** 3/8" Air regulator/gauge

**222308** 2" bung adapter

**238286** Complete Repair Kit



**8078-D**  
with 1/2" x 50FT  
Fluid Hose Assy.



#### Metered Valves



**238461**  
Digital



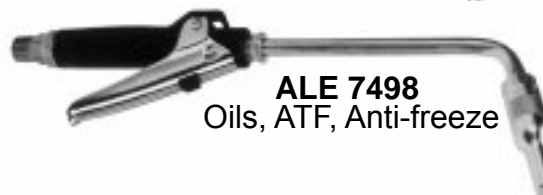
**3685-F**  
Mechanical



**ALE 7498-A**  
Oils, ATF, Anti-freeze



**ALE 7492**  
Gear Oil



**ALE 7498**  
Oils, ATF, Anti-freeze



**222413**  
ATF

# CENTRAL HYDRAULICS INC.

•Daytona Beach •Cocoa •Leesburg •Ocala •Tampa 1-800-264-9571

## Pump for Grease (35lbs)

### 50:1 For 5 Gallon (35lbs) Container

Air operated from 30psi to 140psi

#### Key Applications

High-pressure grease dispense

#### Key Materials

- NLGI #00 Grease
- NLGI #0 Grease
- NLGI #1 Grease
- NLGI #2 Grease

#### Recommended For

- Service Shops
- Construction Equip. Maintenance
- Service Shops
- Automotive Dealerships
- Fast Lubes
- Fleet

#### Perfect for high pressure grease dispense!

Graco's Fire-Ball pumps are built to last. For almost 50 years the Fire-Ball 300, 50:1 ratio has been a mainstay in the lubrication marketplace for its durability and long life. A package including a trusty Fire-Ball is sure to last!

#### Features and Benefits

- Corrosion-resistant design utilizes liquid salt nitriding, nickel plating, stainless steel, aluminum and chrome on key components for longer life.
- Few moving parts in the air motor assembly means less downtime and low repair cost.
- Displacement rods have minimal wear due to a proprietary Graco manufacturing process.
- Large air porting design provides efficient use of compressed air supply for continuous pump operation without icing.
- Thick cast aluminum air motor housing offers unmatched durability.



<b>Container Size 35lbs</b>	
Package No.	<b>222069*</b>
Pump No.	<b>239877*</b>
Dispense Kits	<b>222070*</b>
Fluid Hose	<b>12ft x 1.4in*</b>
Follower Plate	<b>220653*</b>
Cover	<b>222059*</b>

\* = included in package

<b>Optional Accessories</b>	
Air regulator with gauge	<b>109075</b>
Flex Hose for gun	<b>5812</b>
Hose Reel	<b>8078-B</b>



Regulator & Gauge  
**109075**



**8078-B**

with 1/4" x 50ft Grease  
Hose Assy.



Hose Reels

# CENTRAL HYDRAULICS INC.

•Daytona Beach •Cocoa •Leesburg •Ocala •Tampa 1-800-264-9571

## Pump for Grease (120lbs)

### 50:1 For 120lb Containers

Air operated from 30psi to 140psi

#### Key Applications

High-pressure  
grease dispense

#### Key Materials

- NLGI #00 Grease
- NLGI #0 Grease
- NLGI #1 Grease
- NLGI #2 Grease

#### Recommended For

- Service Shops
- Construction Equip. Maintenance
- Service Shops
- Automotive Dealerships
- Fast Lubes
- Fleet



#### Perfect for high pressure grease dispense!

Graco's Fire-Ball pumps are built to last. For almost 50 years the Fire-Ball 300, 50:1 ratio has been a mainstay in the ubrication marketplace for its durability and long life. A package including a trusty Fire-Ball is sure to last!

#### Features and Benefits

- Corrosion-resistant design utilizes liquid salt nitriding, nickel plating, stainless steel, aluminum and chrome on key components for longer life.
- Few moving parts in the air motor assembly means less downtime and low repair cost.
- Displacement rods have minimal wear due to a proprietary Graco manufacturing process.
- Large air porting design provides efficient use of compressed air supply for continuous pump operation without icing.
- Thick cast aluminum air motor housing offers unmatched durability.

<b>Container Size 120lbs</b>	
Package No.	<b>225014*</b>
Pump No.	<b>239887*</b>
Dispense Kits	<b>222072*</b>
Fluid Hose	<b>6ft x 1/4in*</b>
Air Hose	<b>6ft x 3/8in*</b>
Follower Plate	<b>220654*</b>
Cover	<b>204574*</b>

\* = included in package

<b>Optional Accessories</b>	
Air regulator with gauge	<b>109075</b>
Flex Hose for gun	<b>5812</b>
Control Handle	<b>242056</b>
Z Swivel	<b>202577</b>
Hose Reel	<b>8078-B</b>



Pro Shot Grease Gun  
**242056**

Regulator & Gauge  
**109075**

Z Swivel  
**202577**

**8078-B**

with 1/4" x 50ft Grease  
Hose Assy.



**ALEMITE**  
Hose Reels



# CENTRAL HYDRAULICS INC.

•Daytona Beach •Cocoa •Leesburg •Ocala •Tampa 1-800-264-9571

## Pump for Grease(400lbs)

### 50:1 For 400lb Containers

Air operated from 30psi to 140psi

#### Key Applications

High-pressure grease dispense

#### Key Materials

- NLGI #00 Grease
- NLGI #0 Grease
- NLGI #1 Grease
- NLGI #2 Grease

#### Recommended For

- Service Shops
- Construction Equip. Maintenance
- Service Shops
- Automotive Dealerships
- Fast Lubes
- Fleet



#### Perfect for high pressure grease dispense!

Graco's Fire-Ball pumps are built to last. For almost 50 years the Fire-Ball 300, 50:1 ratio has been a mainstay in the ubrication marketplace for its durability and long life. A package including a trusty Fire-Ball is sure to last!

#### Features and Benefits

- Corrosion-resistant design utilizes liquid salt nitriding, nickel plating, stainless steel, aluminum and chrome on key components for longer life.
- Few moving parts in the air motor assembly means less downtime and low repair cost.
- Displacement rods have minimal wear due to a proprietary Graco manufacturing process.
- Large air porting design provides efficient use of compressed air supply for continuous pump operation without icing.
- Thick cast aluminum air motor housing offers unmatched durability.

<b>Container Size 400lbs</b>	
Package No.	<b>225016*</b>
Pump No.	<b>239888*</b>
Dispense Kits	<b>222072*</b>
Fluid Hose	<b>6ft x 1/4 in"</b>
Air Hose	<b>6ft x 3/8 in"</b>
Follower Plate	<b>223845*</b>
Cover	<b>200326*</b>

\* = included in package

<b>Optional Accessories</b>	
Air regulator with gauge	<b>109075</b>
Flex Hose for gun	<b>5812</b>
Control Handle	<b>242056</b>
Z Swivel	<b>202577</b>
Hose Reel	<b>8078-B</b>



Pro Shot Grease Gun  
**242056**



Regulator & Gauge  
**109075**



Z Swivel  
**202577**



**8078-B**



Hose Reels

with 1/4" x 50ft Grease Hose Assy.

# CENTRAL HYDRAULICS INC.

•Daytona Beach •Cocoa •Leesburg •Ocala •Tampa 1-800-264-9571

## Fuel Nozzles and Accessories



**337004**  
18 GPM  
for 12v pumps



**159404**  
10GPM  
Unleaded



3/4" Automatic Shut-off



**2273**  
Disposable  
Breakaway



**3360**  
Reuseable  
Breakaway



**0350**  
3/4" Z  
Swivel

1" Automatic  
Shut-off



**173310**  
75GPM  
Diesel 45psi



**045704**  
15GPM  
Unleaded



**2276**  
Reuseable  
Breakaway



**0087**  
1" Z Swivel

1.5" Automatic  
Shut-off



**169010**  
100 GPM  
45psi



**3/4" or 1"**  
custom length  
curb pump hoses



**1", 1-1/4", 1-1/2"**  
Diesel fuel oil  
hose with custom  
lengths made.

# CENTRAL HYDRAULICS INC.

•Daytona Beach •Cocoa •Leesburg •Ocala •Tampa 1-800-264-9571

## BVA

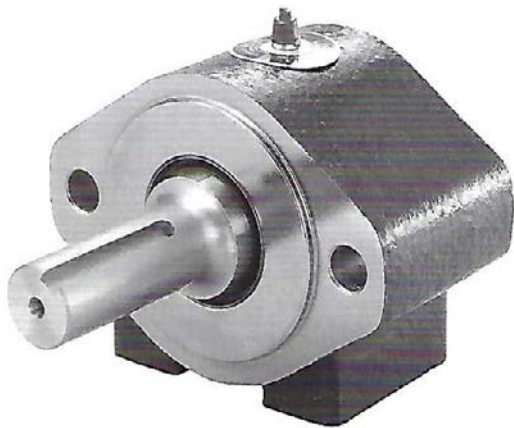


**Built to Last**

# CENTRAL HYDRAULICS INC.

•Daytona Beach •Cocoa •Leesburg •Ocala •Tampa 1-800-264-9571

OHLA 200-300



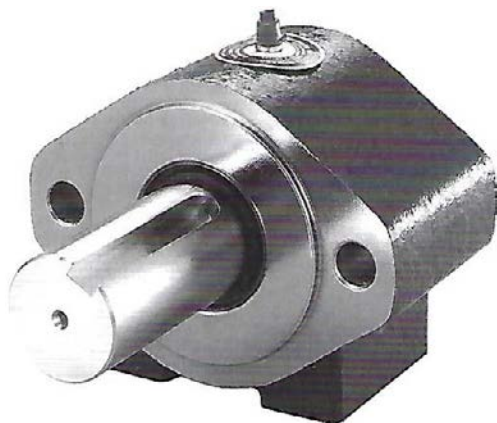
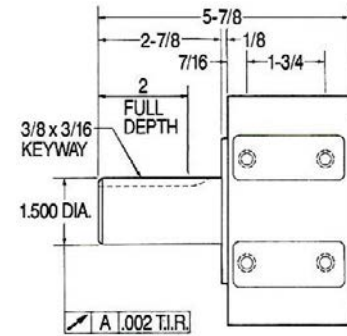
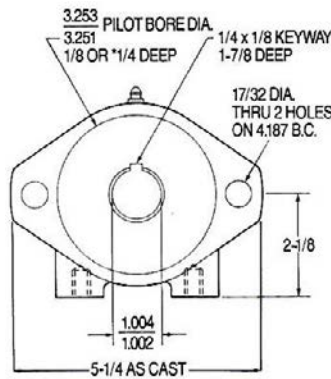
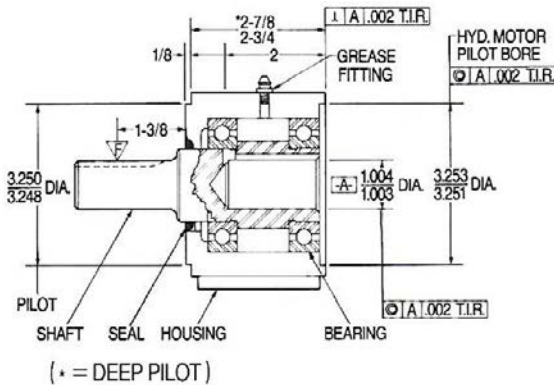
## OHLA 200

- For SAE "A" 2-bolt mount applications with motor or pump shafts up to 1" diameter.
- Features deep-grooved ball bearings.
- Accepts speeds up to 3600 RPM.

### Standard Models

Model*	Output Shaft - Keyway	Input Bore - Keyway
210	1.00 - 1/4 x 1/8	1.00 - 1/4 x 1/8
210F	1.00 Bore - 1/4 x 1/8	1.00 - 1/4 x 1/8
215	1.50 - 3/8 x 3/16	1.00 - 1/4 x 1/8
210-10	1.00 - 1/4 x 1/8	.625 - 5/32 x 5/64
210-12	1.00 - 1/4 x 1/8	.750 - 3/16 x 3/32
215-12	1.50 - 3/8 x 3/16	.750 - 3/16 x 3/32

\*0.125 Pilot depth is Standard. Add "DP" to Model Number for a Deep Pilot. (0.25)



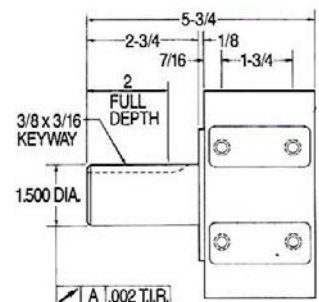
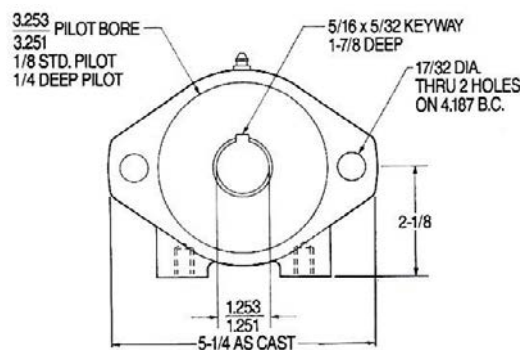
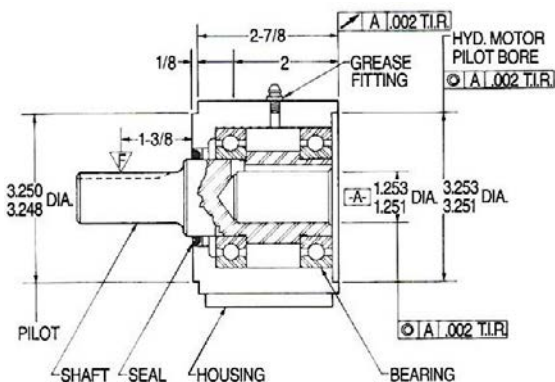
## OHLA 300

- For SAE "A" 2-bolt mount for medium to heavy-duty applications.
- Features deep-grooved ball bearings.
- Accepts speeds up to 3600 RPM.
- Featuring the same overall size as the Model 200, the Model 300 has larger bearings for heavy-duty applications.

### Standard Models

Model*	Output Shaft - Keyway	Input Bore - Keyway
312	1.25 - 5/16 x 5/32	1.25 - 5/16 x 5/32
300F	1.25 Bore - 5/16 x 5/32	1.25 - 5/16 x 5/32
315	1.50 - 3/8 x 3/16	1.25 - 5/16 x 5/32

\*0.125 Pilot depth is Standard. Add "DP" to Model Number for a Deep Pilot. (0.25)





# CENTRAL HYDRAULICS INC.

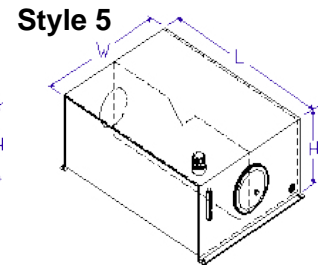
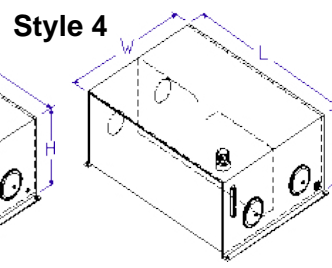
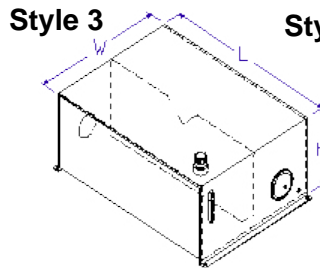
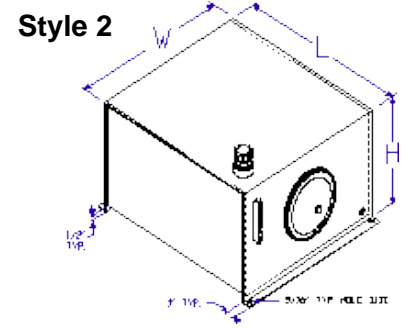
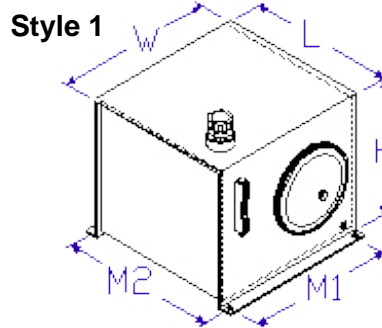
•Daytona Beach •Cocoa •Leesburg •Ocala •Tampa 1-800-264-9571

## STEEL RESERVOIRS

### WELD-ON TOP NON-JIC TYPE RESERVOIR

Each Reservoir Includes The Following Standard Features & Accessories:

- Weld riser with Filler Breather
- Fluid Level / Temp. Gauge ( 5" )
- Drain
- Mounting Holes
- Endcover with seal
- Interior and exterior treated with a rust preventative oil coating, shipped unprimed
- Material is Pickled and Oiled steel
- All accessories are shipped loose inside of reservoir



**Style 1** - No baffle, one endcover offset

**Style 2** - No baffle, one endcover

**Style 3** - Baffle, two endcovers on alternate sides of baffle

**Style 4** - Baffle, two endcovers on alternate sides of baffle

**Style 5** - Baffle, two endcovers centered on baffle

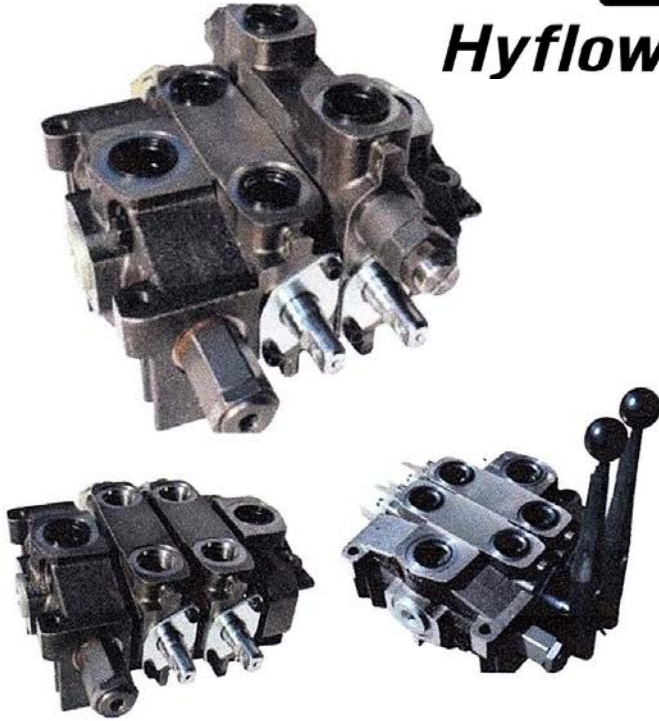
MODEL NUMBER	GALLON CAPACITY	LENGTH L	WIDTH W	HEIGHT H	STYLE NUMBER	E/C SIZE	MOUNTING		WEIGHT IN LBS.
							M1	M2	
NJ-3	3 GAL.	11"	13"	8"	1	6"	11 1/2"	12"	24
NJ-5	5 GAL.	12"	14"	10"	1	6"	12 1/2"	13"	30
NJ-8	8 GAL.	15"	14"	12"	1	6"	12 1/2"	16"	39
NJ-10	10 GAL.	18"	15"	12"	2	6"	13 1/2"	19"	47
NJ-15	15 GAL.	20"	16"	14"	2	6"	14 1/2"	21"	58
NJ-20	20 GAL.	24"	18"	14"	3	6"	16 1/2"	25"	82
NJ-25	25 GAL.	28"	18"	15"	4	6"	16 1/2"	29"	97
NJ-30-4	30 GAL.	28"	21"	15"	4	6"	19 1/2"	29"	106
NJ-30-5	30 GAL.	28"	21"	15"	5	12"	19 1/2"	29"	128
NJ-40-4	40 GAL.	28"	28"	15"	4	6"	26 1/2"	29"	128
NJ-40-5	40 GAL.	28"	28"	15"	5	12"	26 1/2"	29"	157
NJ-50	50 GAL.	38"	24"	16"	5	14"	22 1/2"	39"	183
NJ-60	60 GAL.	38"	29"	16"	5	14"	27 1/2"	39"	209
NJ-80	80 GAL.	38"	37"	16"	5	14"	35 1/2"	39"	250
NJ-100	100 GAL.	50"	35 1/2"	16"	5	14"	34"	51"	300

# CENTRAL HYDRAULICS INC.

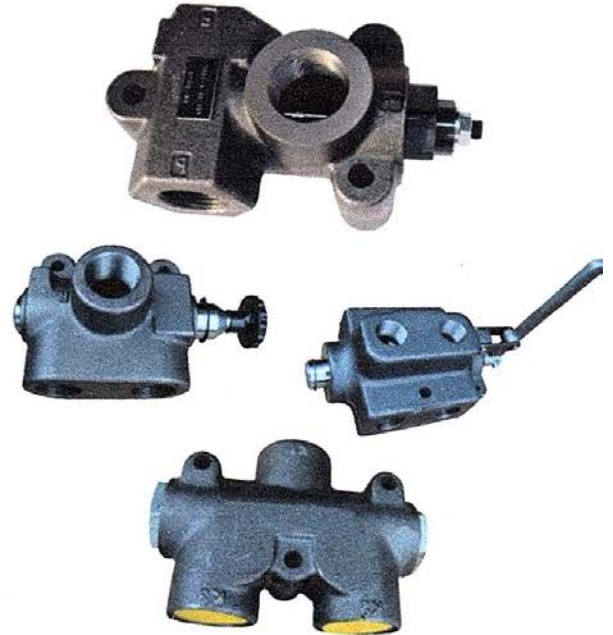
•Daytona Beach •Cocoa •Leesburg •Ocala •Tampa 1-800-264-9571



## Hyflow Controls



**Sectional Valves**



**Mobile Accessory Valves**



**Flow Controls**



**Cartridge & Manifold**

# Central Hydraulics Inc.

*Specializing in wholesale and OEM sales  
of hydraulic hose, pumps, motors,  
cylinders, valves, & components*

1580 North Nova Road  
Daytona Beach, FL 32117

Toll Free: **1-800-264-9571**

Telephone: **386-253-2568**

Fax: **386-257-5728**

[www.CenHyd.com](http://www.CenHyd.com)

[sales@cenhyd.com](mailto:sales@cenhyd.com)