

# CENTRAL HYDRAULICS INC.

•Daytona Beach •Cocoa •Leesburg •Ocala •Tampa 1-800-264-9571

## Spin-On Hydraulic Filters

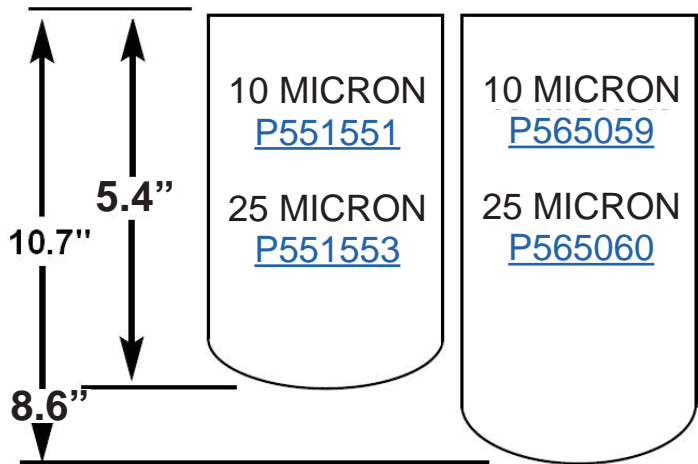


**3/4" NPT**

Flow Range to 30gpm.  
Up to 150psi



[P561131](#)  
Single Filter Head



**P563298**



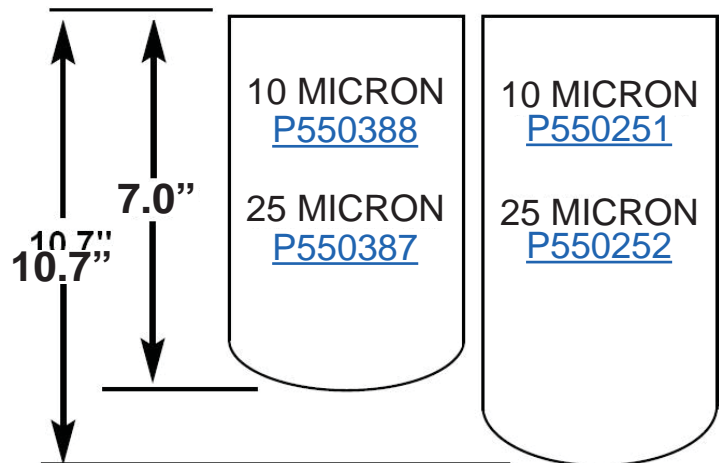
Color-Coded  
0-100psi  
Gage

**1 1/4" NPT**

Flow Range to 60gpm.  
Up to 150psi



[P563268](#)  
Single Filter Head



# CENTRAL HYDRAULICS INC.

•Daytona Beach •Cocoa •Leesburg •Ocala •Tampa 1-800-264-9571

## Spin-On Filters



1-1/2" NPT Head P563274

Part #	Micron Rating
P550388	10 Micron
P550387	25 Micron
P550251	10 Micron Long Element
P550252	25 Micron Long Element



Working Pressures to:	150 psi
Rated Static Burst to:	250 psi
Flow Range to:	100 gpm

## Features

SP80/90 double element head allows for double the flow capacity, with two filters to hold more contaminant. Aluminum casting and Buna-N seals standard.

### Beta Rating

- Performance to  $\beta_{6(c)} = 1000$

### Porting Sizes

- 1 1/2" NPT, 2" SAE Flange, SAE-24

### Porting Sizes

- 6.7"
- 7.0"
- 10.7"

### Standard Bypass Ratings

- 25 psi
- 15 psi
- 5 psi
- No Bypass

### Operating Temperatures

- -22°F to 250°F / -30°C to 121°C

### Assembly Weight

- 10.0 lbs (short)
- 11.8 lbs (long)

# CENTRAL HYDRAULICS INC.

•Daytona Beach •Cocoa •Leesburg •Ocala •Tampa 1-800-264-9571

## Low to Medium Pressure Filters

Working Pressure: 500 psi

Rated Static Burst to: 1000 psi

Flow Range to: **HMK04** 35 gpm **HMK24** 60 gpm

Porting Sizes: **HMK04** SAE-16 O-Ring **HMK24** SAE-20 O-Ring

Replacement Filter Lengths: 6" and 8.12"

Standard Bypass Rating: 25psi, 50psi, No Bypass

Operating Temperatures: -20°F to 250°F

Head  
P163681

**HMK04**

**20 Micron Std.**  
P164375

**33 Micron Long**  
P164384

**HMK24**  
P179609



**10 Micron Long**  
P176566

### Features

HMK04 (single) and HMK24 (double) Duramax® spin-on filters both feature a die-cast aluminum head, a heavyduty steel body, with diecast aluminum top plate for added strength. A special head-to-canister O-Ring seal prevents leakage. BunaN seals are standard; Viton® seals are available on some models.

Since both HMK04 and HMK24 models use the same replacement filter elements, they make a great team for your application. Both filters feature identical pressure ratings, but HMK24 handles double the flow capacity as HMK04, so there's no need to inventory two different part numbers for replacement elements.

A full range of media options are available, using Donaldson's exclusive **Synteq®** synthetic media designed especially for liquid filtration. Likewise, select the exact indicator types and bypass options to suit your application.

Working Pressure: 1000 psi

Rated Static Burst to: 2000 psi

Flow Range to: 25 gpm

Porting Sizes: 3/4" SAE O-Ring (standard)

Replacement Filter Lengths: 5.5" and 9.5"

Standard Bypass Rating: 50psi or No Bypass

Operating Temperatures: -20°F to 250°F

Head  
P170773

**20 Micron Long**  
P170310

**20 Micron Std.**  
P170311

**HMK03**



### Features

HMK03 Series Duramax® spin-on filters offer twice the capacity of competitive filters, yet they are physically smaller than traditional housing/cartridge filter assemblies. It features a die cast aluminum head and a unique radial seal O-Ring gasket design that eliminates leakage.

Take advantage of Donaldson's Mix 'n Match system of in-stock heads, housings and media choices—so you can get exactly what you need.

# CENTRAL HYDRAULICS INC.

•Daytona Beach •Cocoa •Leesburg •Ocala •Tampa 1-800-264-9571

## High Pressure Filters

**Working Pressure:** 2000 psi

**Rated Static Burst to:** 4500 psi

**Flow Range to:** 20 gpm

**T-Type Porting Sizes:** SAE-12 O-Ring

**Replacement Filter Lengths:** 4.37" and 8.12"

**Standard Bypass Rating:** 50psi / No Bypass

**Operating Temperatures:** -20°F to 250°F



HPK02

**Housing**  
P167452

**Head**  
P163681



**10 Micron Long Element**  
P170311

The HPK02 is a heavy-duty filter built for high pressure applications, with cast aluminum head and impact-extruded aluminum housing for strength and durability at relatively light weight.

Take advantage of our Mix 'n Match system of in-stock heads, housings and cartridges—so you can get exactly what you need! HPK02 is available with your choice of visual or AC/DC electrical indicators. Likewise, choose the bypass option that's right for your application—50 psi bypass, or no bypass. Seals made of fluorocarbon (such as Viton® and Fluorel®) or BunaN are available with HPK02.

All HPK02 filters contain Synteq®, our synthetic filter media designed especially for liquid filtration.

Fax: 386-257-5728 Tele. 1-800-264-9571 sales@centralhydraulics.com www.centralhydraulics.com

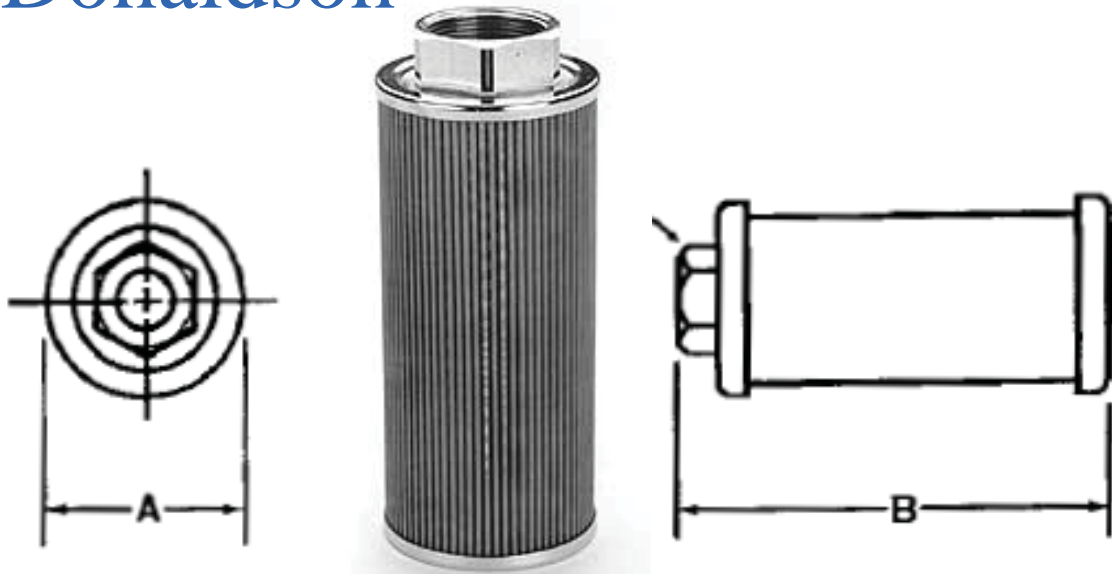
# CENTRAL HYDRAULICS INC.

•Daytona Beach •Cocoa •Leesburg •Ocala •Tampa 1-800-264-9571

## Suction Strainers



# Donaldson



Part #	NPT Size	Dim. A	Dim. B	Max. Flow
P169013	3/4"	2.63	3.55	8
P169014	1"	2.63	5.35	10
P169015	1-1/4"	3.38	6.85	20
P169016	1-1/2"	3.38	8.01	30
P169017	1-1/2"	3.94	9.80	50
P169018	2"	3.94	9.80	50
P169019	2-1/2"	5.12	10.10	75
P169020	3"	5.12	11.78	100

Many other sizes available!

Donaldson suction strainers are zinc-plated, with stainless steel mesh screens and rugged steel core centers epoxy bonded to heavy gauge connector and end caps. Suction strainers filter petroleum-based hydraulic fluids, phosphate esters, water glycols, lubricating oils, coolants, fuels and water in fluid reservoirs, sumps and similar applications. They are cleanable and reusable. Clean by swishing in non-caustic solvent, then blow dry from inner diameter to outer diameter with compressed air.