

BrakeQuip

////// INNOVATIVE SOLUTIONS FOR AUTOMOTIVE TUBES AND HOSES

Dealer Catalog

Rubber Brake Hoses
Braided Brake Hoses OE Style
Braided Brake Hoses Low Profile Style
Power Steering Hoses



BQF-09
\$5.25

BrakeQuip Programs

Add new customers and more profits to your business

OE Rubber Brake Hose Program

Can replicate most OE brake and clutch hoses using OE design fittings that comply with DOT standards – usually while the customer waits. Hoses can be made for any type of vehicle with hydraulic brakes – from motorcycles to industrial equipment.

Stainless Steel Braided Brake Hose Program

Choose from TWO Styles – OE Style fitting or Low Profile Fitting! Can replicate most OE brake and clutch hoses with stainless braided hose that complies with DOT standards – usually while the customer waits.

Metal Tube Program

Duplicate any automotive metal tube instantly and profitably using the BrakeQuip EziBend tube and the BrakeQuip high speed flaring tool. Tubes can be made while the customer waits.

Power Steering Program

Repair automotive power steering hoses using the highest OEM quality hose available. Choose braze on or compression fittings and hoses that incorporate noise resistant technology.

Fuel Line Program

Repair or replace fuel lines for virtually all vehicles in minutes. No special tools required.

BrakeQuip Tool Program

BrakeQuip offers a range of unique speciality tools that are highly productive for the automotive plumbing professional.

Specialty Fitting Program

The one stop shop for automotive fittings including metric and hard to get fittings. Custom made fittings available. A full range of assortment kits makes sure you have your fitting on hand.



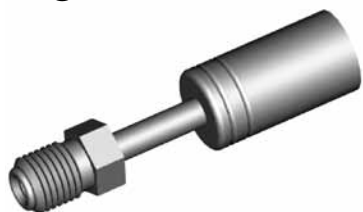
CONTENTS

TITLE	PAGE NO.	TITLE	PAGE NO.
Miscellaneous Hose Fittings		Metric Female Fittings (continued)	
Male Swivel – 3/8" x 24NF	2	Bulkhead Mount	51
Male Swivel – 7/16" x 24NS	2-3	Spline Mount	51
Male Swivel – 1/2" and 9/16"NF	3	Bracket Mount	51-52
Male Swivel – Metric	3-4	Metric Male Fittings	
Female Swivel	5	Standard Mount	53
Specials, Center Joiner	5-6	Bulkhead Mount	54
Clutch Special	7	Clip Mount	54
Compression, Lifesaver, Universal	7-8	Brackets	
Banjo Fittings		Fitting Brackets	55-58
Round Style – Straight	9-10	Center Brackets	59-62
Round Style – Bent	11-13	Universal	62
Block Style – 3/8" Hole	14	Rubber Hose Components	
Block Style – 7/16" Hole	15	63	
Block Style – 8mm Hole	16	Plastic Clips	
Block Style – 10mm Hole	16-17	64	
Block Style – 12mm & 16mm Hole	18	Rubber Brake Hose & Accessories	
Tube Style (Either Side) – 3/8" Hole	19	65	
Tube Style (Either Side) – 7/16" Hole	19-20	Stainless Steel Braided Hose & Accessories	
Tube Style (Either Side) – 10mm Hole	20-21	66-67	
Tube Style (Either Side) – 12mm Hole	21	Stainless Steel Fittings	
Tube Style (Left/Right) – 3/8" Hole	22-25	67	
Tube Style (Left/Right) – 7/16" Hole	26	Motorcycle Program	
Tube Style (Left/Right) – 10mm Hole	27-30	68	
Universal	30	Power Steering Program	
Center Support Fittings		Fittings	69
Clip Mount	31-32	Hose (High Pressure)	69
Bracket Mount	32-33	Hose (Low Pressure)	69
Imperial Female Fittings		Accessories	70
Clip Mount – 3/8" x 24NF	34-36	Die Sets	70
Clip Mount – 7/16" x 24NS	37	Fabrication Instruction	70
Clip Mount 1/2" x 20NF	37	Low Profile Fittings	
Bolt On Mount	38-39	Miscellaneous	71
No Mount	40	Banjo	71-72
Bulkhead Mount	40-41	Female Imperial	72
Bracket Mount	41-42	Male Imperial	72
Imperial Male Fittings		Female Metric	72-73
Standard Mount	43-44	Male Metric	73
AN Joiner	44	Seat Stems	73-74
Bulkhead Mount	44	Crimp Shell	74
Clip Mount	45	System Aids & Accessories	
Metric Female Fittings		Test Cones	75
Clip Mount – Inverted Seat	46-48	System Aids	75
Clip Mount – DPS Seat	48-50	Fitting Plugs	76
Bolt On Mount	50	Educational Information	
		Identifying the Correct Thread	77
		Identify Fittings in 60 Seconds or Less	78
		Metric Conversion Table	79
		Index	80-84
		Promotional Material	85-86

MISCELLANEOUS HOSE FITTINGS

Male Swivel - 3/8" x 24NF

HF16



Swivel

THREAD	FLARE	TUBE SIZE	OAL	FITS
3/8" x 24NF	Double	3/16"	57mm	V

HF16B



Swivel - Brass

THREAD	FLARE	TUBE SIZE	OAL	FITS
3/8" x 24NF	Double	3/16"	49mm	V

HF17



Swivel 90°

THREAD	FLARE	TUBE SIZE	OAL	FITS
3/8" x 24NF	Double	3/16"	49mm	V

HF33



Swivel 45°

THREAD	FLARE	TUBE SIZE	OAL	FITS
3/8" x 24NF	Double	3/16"	65mm	V

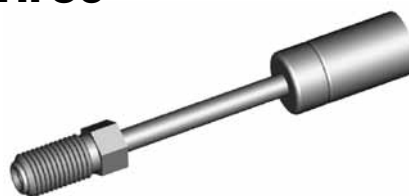
HF54



Swivel

THREAD	FLARE	TUBE SIZE	OAL	FITS
3/8" x 24NF	Double	3/16"	125mm	US

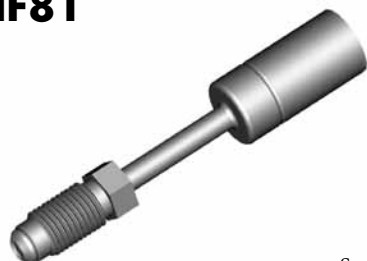
HF63



Swivel

THREAD	FLARE	TUBE SIZE	OAL	FITS
3/8" x 24NF	Double	3/16"	88mm	V

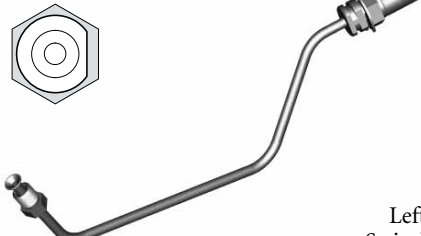
HF81



Swivel

THREAD	FLARE	TUBE SIZE	OAL	FITS
3/8" x 24NF	Bubble	3/16"	76mm	V

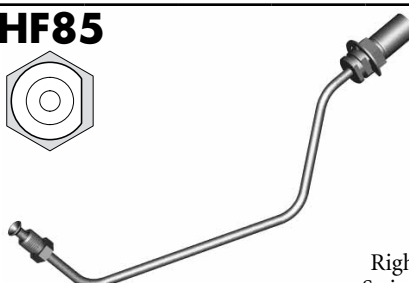
HF84



Left Swivel

THREAD	FLARE	TUBE SIZE	OAL	FITS
3/8" x 24NF	Double	3/16"	-	US

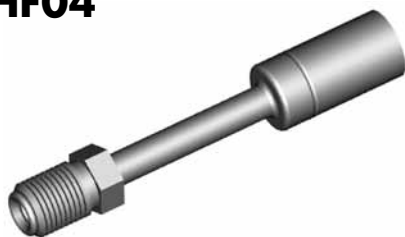
HF85



Right Swivel

THREAD	FLARE	TUBE SIZE	OAL	FITS
3/8" x 24NF	Double	3/16"	-	US

HF04



Swivel

THREAD	FLARE	TUBE SIZE	OAL	FITS
7/16" x 24NS	Double	1/4"	80mm	V

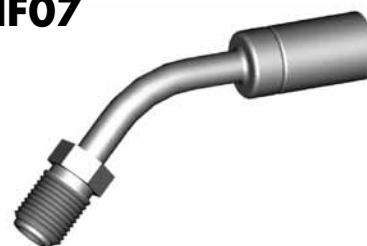
HF06



Swivel 90°

THREAD	FLARE	TUBE SIZE	OAL	FITS
7/16" x 24NS	Double	1/4"	61mm	V

HF07



Swivel 45°

THREAD	FLARE	TUBE SIZE	OAL	FITS
7/16" x 24NS	Double	1/4"	76mm	V

Male Swivel - 7/16" x 24NS

HF15



Swivel

THREAD	FLARE	TUBE SIZE	OAL	FITS
7/16" x 24NS	Double	1/4"	52mm	V

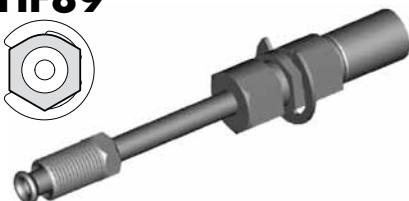
HF39



Swivel

THREAD	FLARE	TUBE SIZE	OAL	FITS
7/16" x 24NS	Double	1/4"	54mm	V

HF89



Swivel

THREAD	FLARE	TUBE SIZE	OAL	FITS
7/16" x 24NS	Double	1/4"	120mm	US

A = Asian

EU = European

US = United States

UNI = Universal

V = Various

MISCELLANEOUS HOSE FITTINGS

HF94

Swivel 60°

THREAD	FLARE	TUBE SIZE	OAL	FITS
7/16" x 24NS	Double	1/4"	-	US

HF97

Swivel

THREAD	FLARE	TUBE SIZE	OAL	FITS
7/16" x 24NS	Double	1/4"	-	US

HF100

Swivel

THREAD	FLARE	TUBE SIZE	OAL	FITS
7/16" x 24NS	Double	1/4"	81mm	US

HF101

Swivel 90°

THREAD	FLARE	TUBE SIZE	OAL	FITS
7/16" x 24NS	Double	1/4"	-	US

HF119

Swivel

THREAD	FLARE	TUBE SIZE	OAL	FITS
7/16" x 24NS	45° Double	1/4"	160mm	V

HF18

Swivel

THREAD	FLARE	TUBE SIZE	OAL	FITS
1/2" x 20NF	Double	5/16"	80mm	V

HF28

Swivel

THREAD	FLARE	TUBE SIZE	OAL	FITS
1/2" x 20NF	Double	5/16"	60mm	V

HF29

Swivel 90°

THREAD	FLARE	TUBE SIZE	OAL	FITS
1/2" x 20NF	Double	5/16"	62mm	V

HF92

Swivel 90°

THREAD	FLARE	TUBE SIZE	OAL	FITS
1/2" x 20NF	Double	3/16"	-	US

HF93

Swivel

THREAD	FLARE	TUBE SIZE	OAL	FITS
1/2" x 20NF	Double	3/16"	-	US

HF98

Swivel 90°

THREAD	FLARE	TUBE SIZE	OAL	FITS
9/16" x 18NF	Double	1/4"	-	US

HF08

Swivel

THREAD	FLARE	TUBE SIZE	OAL	FITS
M10 x 1	DIN	3/16"	70mm	EU

HF34

Swivel

THREAD	FLARE	TUBE SIZE	OAL	FITS
M10 x 1	Double	3/16"	71mm	V

HF52

Swivel

THREAD	FLARE	TUBE SIZE	OAL	FITS
M10 x 1	DIN	3/16"	57mm	US

Male Swivel - 7/16" x 24NS

Male Swivel - 1/2" and 9/16" NF

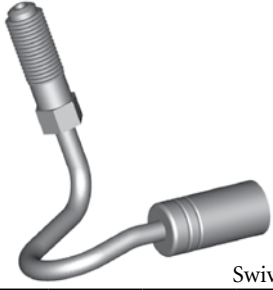
Male Swivel - Metric

A = Asian EU = European US = United States UNI = Universal V = Various

MISCELLANEOUS HOSE FITTINGS

Male Swivel - Metric

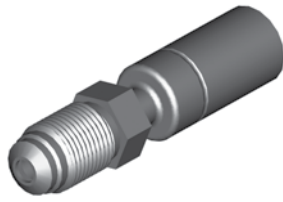
HF53



Swivel

THREAD	FLARE	TUBE SIZE	OAL	FITS
M10 x 1	DIN	3/16"	57mm	US

HF77



Swivel

THREAD	FLARE	TUBE SIZE	OAL	FITS
M12 x 1	DIN	1/4"	57mm	V

HF82



Swivel

THREAD	FLARE	TUBE SIZE	OAL	FITS
M10 x 1	DIN	3/16"	71mm	V

HF99



Swivel 95°

THREAD	FLARE	TUBE SIZE	OAL	FITS
M10 x 1	DIN	3/16"	-	US

HF115

NEW



Swivel 90°

THREAD	FLARE	TUBE SIZE	OAL	FITS
M10 x 1	DIN	3/16"	-	EU

HF116

NEW



Swivel

THREAD	FLARE	TUBE SIZE	OAL	FITS
M10 x 1	DIN	3/16"	-	EU

HF117

NEW



Swivel

THREAD	FLARE	TUBE SIZE	OAL	FITS
M10 x 1	DIN	3/16"	-	EU

A = Asian

EU = European

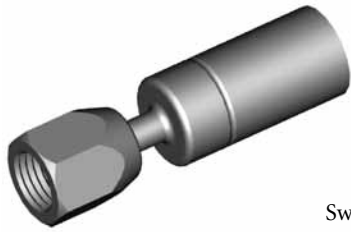
US = United States

UNI = Universal

V = Various

MISCELLANEOUS HOSE FITTINGS

HF09



Swivel
No. 3 JIC

THREAD	FLARE	TUBE SIZE	OAL	FITS
3/8" x 24NF	37° Double	3/16"	58mm	V

HF09W



Swivel
No. 3 JIC

THREAD	FLARE	TUBE SIZE	OAL	FITS
3/8" x 24NF	37°	-	36mm	V

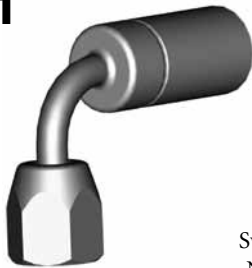
HF10



Swivel 45°
No. 3 JIC

THREAD	FLARE	TUBE SIZE	OAL	FITS
3/8" x 24NF	37° Double	3/16"	52mm	V

HF11



Swivel 90°
No. 3 JIC

THREAD	FLARE	TUBE SIZE	OAL	FITS
3/8" x 24NF	37° Double	3/16"	45mm	V

HF12



Swivel
No. 4 JIC

THREAD	FLARE	TUBE SIZE	OAL	FITS
7/16" x 20NF	37° Double	1/4"	50mm	V

HF13



Swivel 45°
No. 4 JIC

THREAD	FLARE	TUBE SIZE	OAL	FITS
7/16" x 20NF	37° Double	1/4"	56mm	V

HF14



Swivel 90°
No. 4 JIC

THREAD	FLARE	TUBE SIZE	OAL	FITS
7/16" x 20NF	37° Double	1/4"	48mm	V

HF61



Swivel
No. 2 JIC

THREAD	FLARE	TUBE SIZE	OAL	FITS
5/16" NF	37° Double	-	35mm	V

HF102



Swivel

THREAD	FLARE	TUBE SIZE	OAL	FITS
M12 x 1	Double	1/4"	50mm	V

HF110



Swivel
O-Ring Included

THREAD	FLARE	TUBE SIZE	OAL	FITS
M14 x 1.5	24°	-	45mm	V

HF111



Swivel
O-Ring Included

THREAD	FLARE	TUBE SIZE	OAL	FITS
1/4" x 19BSP	Flat Face	1/4"	-	V

Female Swivel

Specials

A = Asian

EU = European

US = United States

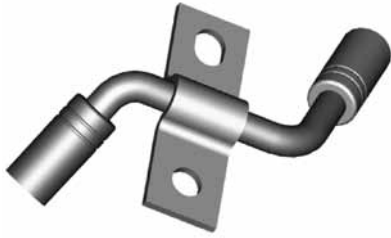
UNI = Universal

V = Various

MISCELLANEOUS HOSE FITTINGS

Center Joiner

HF37



THREAD	FLARE	TUBE SIZE	OAL	FITS
-	-	8mm	86mm	A

HF38



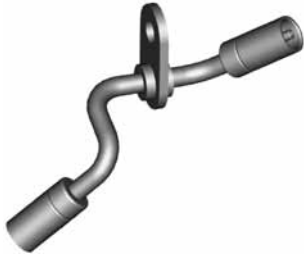
THREAD	FLARE	TUBE SIZE	OAL	FITS
-	-	8mm	86mm	A

HF71



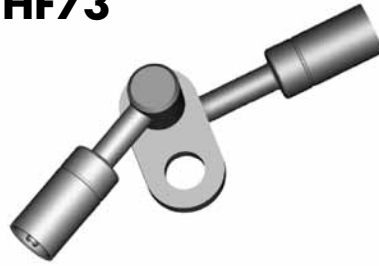
THREAD	FLARE	TUBE SIZE	OAL	FITS
-	-	7mm	130mm	A

HF72



THREAD	FLARE	TUBE SIZE	OAL	FITS
-	-	7mm	130mm	A

HF73



THREAD	FLARE	TUBE SIZE	OAL	FITS
-	-	7mm	95mm	A

HF74



THREAD	FLARE	TUBE SIZE	OAL	FITS
-	-	7mm	95mm	A

HF300



THREAD	FLARE	TUBE SIZE	OAL	FITS
-	-	8mm	190mm	US

HF301



THREAD	FLARE	TUBE SIZE	OAL	FITS
-	-	8mm	190mm	US

A = Asian

EU = European

US = United States

UNI = Universal

V = Various

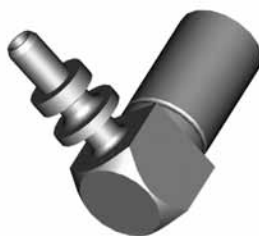
MISCELLANEOUS HOSE FITTINGS

HF35



THREAD	FLARE	TUBE SIZE	OAL	FITS
-	-	-	43mm	US

HF62



THREAD	FLARE	TUBE SIZE	OAL	FITS
-	-	-	35mm	US

HF83



Suits Jeep O-Ring Included

THREAD	FLARE	TUBE SIZE	OAL	FITS
-	-	-	35mm	US

HF114



O-Ring Included

THREAD	FLARE	TUBE SIZE	OAL	FITS
-	-	-	44mm	EU

HF125



O-Ring Included

THREAD	FLARE	TUBE SIZE	OAL	FITS
-	-	-	50mm	US

HF30



For 3/16" Tube

THREAD	FLARE	TUBE SIZE	OAL	FITS
-	-	3/16"	48mm	UNI

HF31



For 1/4" Tube

THREAD	FLARE	TUBE SIZE	OAL	FITS
-	-	1/4"	51mm	UNI

Clutch Special

Compression

A = Asian

EU = European

US = United States

UNI = Universal

V = Various

MISCELLANEOUS HOSE FITTINGS

Lifesaver

HF01



THREAD	FLARE	TUBE SIZE	OAL	FITS
-	-	3/16"	27mm	UNI

HF05



Center Support Lifesaver

THREAD	FLARE	TUBE SIZE	OAL	FITS
-	-	-	25mm	UNI

HF26



THREAD	FLARE	TUBE SIZE	OAL	FITS
-	-	1/4"	27mm	UNI

HF27



For tube style fittings

THREAD	FLARE	TUBE SIZE	OAL	FITS
-	-	5/16"	27mm	UNI

HF120



For banjo fittings with a 7mm shank

THREAD	FLARE	TUBE SIZE	OAL	FITS
-	-	7mm	25mm	UNI

Universal

HF02



THREAD	FLARE	TUBE SIZE	OAL	FITS
-	-	3/16"	100mm	UNI

HF03



THREAD	FLARE	TUBE SIZE	OAL	FITS
-	-	1/4"	100mm	UNI

A = Asian

EU = European

US = United States

UNI = Universal

V = Various

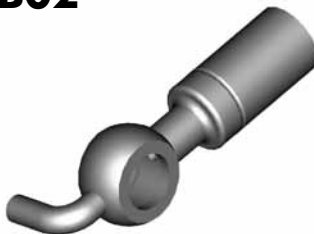
BANJO FITTINGS

HFB01



HOLE	THICK	WIDTH	ANGLE	OAL	FITS
10mm	8mm	17mm	-	54mm	V

HFB02



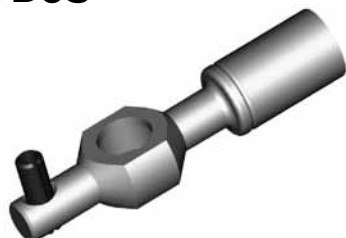
HOLE	THICK	WIDTH	ANGLE	OAL	FITS
10mm	10mm	18mm	-	64mm	A

HFB03



HOLE	THICK	WIDTH	ANGLE	OAL	FITS
10mm	8mm	17mm	-	66mm	A

HFB05



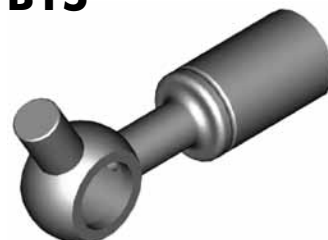
HOLE	THICK	WIDTH	ANGLE	OAL	FITS
10mm	10mm	17mm	-	65mm	A

HFB09



HOLE	THICK	WIDTH	ANGLE	OAL	FITS
10mm	10mm	18mm	-	55mm	V

HFB15



HOLE	THICK	WIDTH	ANGLE	OAL	FITS
10mm	10mm	23mm	-	52mm	A

HFB19



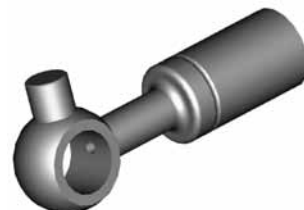
HOLE	THICK	WIDTH	ANGLE	OAL	FITS
15mm	13.5mm	25mm	-	45mm	US

HFB27



HOLE	THICK	WIDTH	ANGLE	OAL	FITS
8mm	6mm	14mm	-	53mm	V

HFB28



HOLE	THICK	WIDTH	ANGLE	OAL	FITS
10mm	10mm	22mm	-	54mm	A

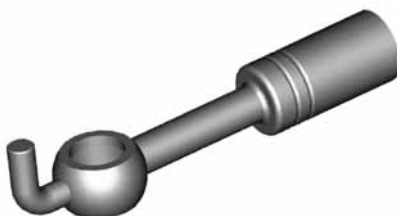
HFB34



Bendable

HOLE	THICK	WIDTH	ANGLE	OAL	FITS
10mm	8mm	17mm	-	62.5mm	UNI

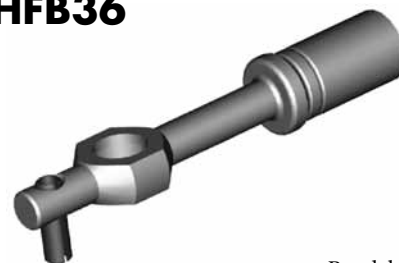
HFB35



Bendable

HOLE	THICK	WIDTH	ANGLE	OAL	FITS
10mm	10mm	17mm	-	80mm	UNI

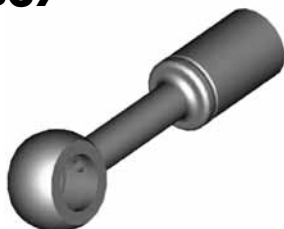
HFB36



Bendable

HOLE	THICK	WIDTH	ANGLE	OAL	FITS
10mm	8mm	17mm	-	84mm	UNI

HFB37



Bendable

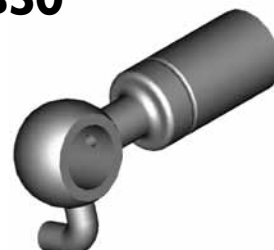
HOLE	THICK	WIDTH	ANGLE	OAL	FITS
10mm	10mm	18mm	-	64mm	UNI

HFB47



HOLE	THICK	WIDTH	ANGLE	OAL	FITS
12mm	10mm	19mm	-	55mm	V

HFB50



Right

HOLE	THICK	WIDTH	ANGLE	OAL	FITS
10mm	10mm	28mm	-	50mm	US

Round Style - Straight

A = Asian

EU = European

US = United States

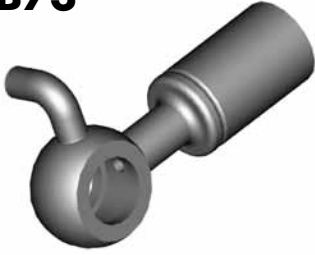
UNI = Universal

V = Various

BANJO FITTINGS

Round Style - Straight

HFB73



Left

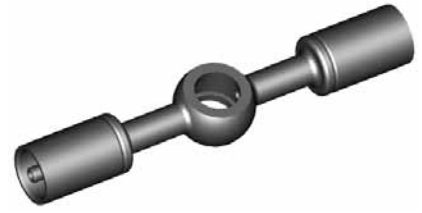
HOLE	THICK	WIDTH	ANGLE	OAL	FITS
10mm	10mm	28mm	-	50mm	US

HFB111



HOLE	THICK	WIDTH	ANGLE	OAL	FITS
8mm	13mm	21mm	-	40mm	US

HFB194



HOLE	THICK	WIDTH	ANGLE	OAL	FITS
10mm	10mm	18mm	-	92mm	V

HFB288



HOLE	THICK	WIDTH	ANGLE	OAL	FITS
10mm	8mm	17mm	-	61mm	A

HFB289



HOLE	THICK	WIDTH	ANGLE	OAL	FITS
10mm	10mm	-	-	-	V

HFB344



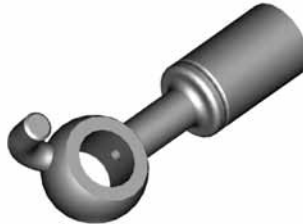
HOLE	THICK	WIDTH	ANGLE	OAL	FITS
10mm	10mm	-	-	58mm	A

HFB350



HOLE	THICK	WIDTH	ANGLE	OAL	FITS
10mm	10mm	-	-	45mm	A

HFB351



Left

HOLE	THICK	WIDTH	ANGLE	OAL	FITS
10mm	10mm	-	-	55mm	A

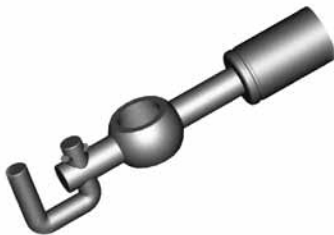
HFB352



Right

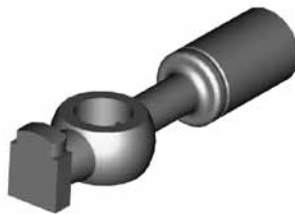
HOLE	THICK	WIDTH	ANGLE	OAL	FITS
10mm	10mm	-	-	55mm	A

HFB365



HOLE	THICK	WIDTH	ANGLE	OAL	FITS
10mm	8mm	17mm	-	63mm	A

HFB375



HOLE	THICK	WIDTH	ANGLE	OAL	FITS
10mm	10mm	18mm	-	65mm	EU

HFB448



HOLE	THICK	WIDTH	ANGLE	OAL	FITS
7/16"	10mm	19mm	-	60mm	V

CAUTION

Illustrations shown in this reference guide may vary slightly in detail from actual parts due to manufacturer's tolerances and design differences. Note: Illustrations not to scale.

DISCLAIMER NOTICE

The illustrations and data contained in this illustrated reference guide are intended as an aid in identifying the various products and have been obtained and developed from the specifications and information available. Although BrakeQuip believes that such illustrations and data are correct, errors may exist and further verification on the part of the user may be necessary.

A = Asian

EU = European

US = United States

UNI = Universal

V = Various

BANJO FITTINGS

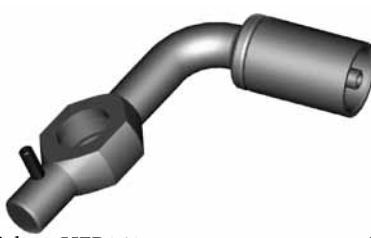
HFB10



Harley

HOLE	THICK	WIDTH	ANGLE	OAL	FITS
10mm	9.5mm	19.05mm	70°	-	US

HFB24



Right = HFB164

Left

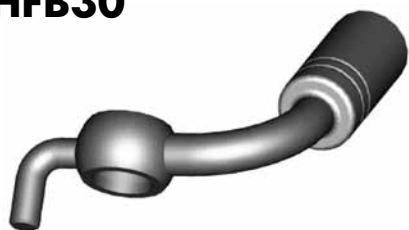
HOLE	THICK	WIDTH	ANGLE	OAL	FITS
10mm	8mm	17mm	75°	64mm	A

HFB29



HOLE	THICK	WIDTH	ANGLE	OAL	FITS
10mm	10mm	28mm	40°	52mm	US

HFB30



Left = HFB75

Right

HOLE	THICK	WIDTH	ANGLE	OAL	FITS
10mm	10mm	17mm	90°	52mm	A

HFB31



HOLE	THICK	WIDTH	ANGLE	OAL	FITS
10mm	10mm	17mm	25°	68mm	A

HFB32



HOLE	THICK	WIDTH	ANGLE	OAL	FITS
10mm	8mm	17mm	90°	39mm	V

HFB33



HOLE	THICK	WIDTH	ANGLE	OAL	FITS
10mm	8mm	17mm	75°	60mm	A

HFB75

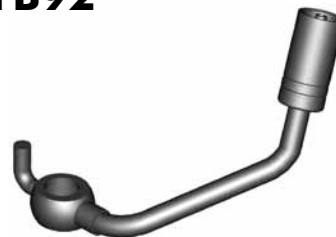


Right = HFB30

Left

HOLE	THICK	WIDTH	ANGLE	OAL	FITS
10mm	10mm	17mm	90°	61mm	A

HFB92



Left

HOLE	THICK	WIDTH	ANGLE	OAL	FITS
10mm	10mm	18mm	55°	90mm	A

HFB93



Right

HOLE	THICK	WIDTH	ANGLE	OAL	FITS
10mm	10mm	18mm	55°	90mm	A

HFB105



Left

HOLE	THICK	WIDTH	ANGLE	OAL	FITS
3/8"	1/2"	21mm	25°	113mm	US

HFB106



Right

HOLE	THICK	WIDTH	ANGLE	OAL	FITS
3/8"	1/2"	21mm	25°	113mm	US

HFB150



Harley

HOLE	THICK	WIDTH	ANGLE	OAL	FITS
7/16"	8.5mm	19mm	-	192mm	US

HFB157



HOLE	THICK	WIDTH	ANGLE	OAL	FITS
10mm	10mm	18mm	70°	102mm	A

HFB158



Left

HOLE	THICK	WIDTH	ANGLE	OAL	FITS
7/16"	15mm	35mm	35°	57mm	US

Round Style - Bent

A = Asian

EU = European

US = United States

UNI = Universal

V = Various

BANJO FITTINGS

HFB159



Right

HOLE	THICK	WIDTH	ANGLE	OAL	FITS
7/16"	15mm	35mm	35°	57mm	US

HFB164

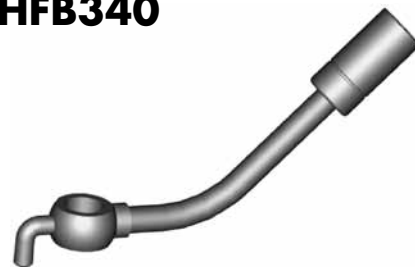


Left = HFB24

Right

HOLE	THICK	WIDTH	ANGLE	OAL	FITS
10mm	8mm	17mm	75°	64mm	A

HFB340



HOLE	THICK	WIDTH	ANGLE	OAL	FITS
10mm	10mm	18mm	45°	100mm	A

HFB341



HOLE	THICK	WIDTH	ANGLE	OAL	FITS
10mm	10mm	18mm	75°	55mm	A

HFB342



Right

HOLE	THICK	WIDTH	ANGLE	OAL	FITS
10mm	8mm	17mm	15°	60mm	A

HFB343



Left

HOLE	THICK	WIDTH	ANGLE	OAL	FITS
10mm	8mm	17mm	15°	60mm	A

HFB345



Left

HOLE	THICK	WIDTH	ANGLE	OAL	FITS
10mm	10mm	18mm	50°	45mm	A

HFB346



Right

HOLE	THICK	WIDTH	ANGLE	OAL	FITS
10mm	10mm	18mm	50°	45mm	A

HFB348



Left

HOLE	THICK	WIDTH	ANGLE	OAL	FITS
10mm	15mm	18mm	30°	50mm	A

HFB349



Right

HOLE	THICK	WIDTH	ANGLE	OAL	FITS
10mm	15mm	18mm	30°	50mm	A

HFB353



Right

HOLE	THICK	WIDTH	ANGLE	OAL	FITS
10mm	8mm	18mm	75°	60mm	A

HFB354



Left

HOLE	THICK	WIDTH	ANGLE	OAL	FITS
10mm	8mm	18mm	75°	60mm	A

HFB356



Left

HOLE	THICK	WIDTH	ANGLE	OAL	FITS
10mm	8mm	18mm	40°	60mm	A

HFB357



Right

HOLE	THICK	WIDTH	ANGLE	OAL	FITS
10mm	8mm	18mm	40°	60mm	A

HFB358



Left

HOLE	THICK	WIDTH	ANGLE	OAL	FITS
10mm	8mm	17mm	75°	45mm	A

Round Style - Bent

A = Asian

EU = European

US = United States

UNI = Universal

V = Various

BANJO FITTINGS

HFB359



Right

HOLE	THICK	WIDTH	ANGLE	OAL	FITS
10mm	8mm	17mm	75°	45mm	A

HFB360



Right

HOLE	THICK	WIDTH	ANGLE	OAL	FITS
10mm	8mm	18mm	55°	65mm	A

HFB361



Left

HOLE	THICK	WIDTH	ANGLE	OAL	FITS
10mm	8mm	18mm	55°	65mm	A

HFB362



Left

HOLE	THICK	WIDTH	ANGLE	OAL	FITS
10mm	8mm	18mm	80°	45mm	A

HFB363



Right

HOLE	THICK	WIDTH	ANGLE	OAL	FITS
10mm	8mm	18mm	80°	45mm	A

HFB364



HOLE	THICK	WIDTH	ANGLE	OAL	FITS
10mm	8mm	18mm	75°	50mm	A

HFB366



HOLE	THICK	WIDTH	ANGLE	OAL	FITS
10mm	8mm	17mm	20°	-	A

HFB372



HOLE	THICK	WIDTH	ANGLE	OAL	FITS
10mm	10mm	18mm	60°	45mm	A

HFB373



HOLE	THICK	WIDTH	ANGLE	OAL	FITS
10mm	10mm	18mm	55°	65mm	A

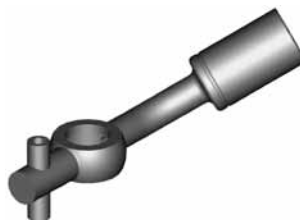
HFB389



Right

HOLE	THICK	WIDTH	ANGLE	OAL	FITS
10mm	8mm	17mm	45°	75mm	A

HFB390



Left

HOLE	THICK	WIDTH	ANGLE	OAL	FITS
10mm	8mm	17mm	45°	75mm	A

HFB456



Right

HOLE	THICK	WIDTH	ANGLE	OAL	FITS
10mm	10mm	18mm	90°	48mm	A

HFB457



Left

HOLE	THICK	WIDTH	ANGLE	OAL	FITS
10mm	10mm	18mm	90°	48mm	A

Round Style - Bent

A = Asian

EU = European

US = United States

UNI = Universal

V = Various

BANJO FITTINGS

Block Style - 3/8" Hole

HFB67



HOLE	THICK	WIDTH	ANGLE	OAL	FITS
3/8"	1/2"	28mm	-	48mm	US

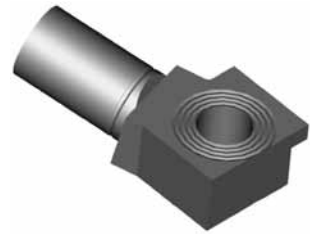
HFB230



Right

HOLE	THICK	WIDTH	ANGLE	OAL	FITS
3/8"	7/16"	22mm	10°	45mm	US

HFB231



Left

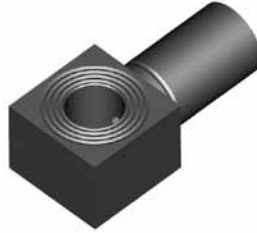
HOLE	THICK	WIDTH	ANGLE	OAL	FITS
3/8"	7/16"	22mm	10°	45mm	US

HFB243



HOLE	THICK	WIDTH	ANGLE	OAL	FITS
3/8"	14.9mm	20.5mm	-	42mm	US

HFB283



HOLE	THICK	WIDTH	ANGLE	OAL	FITS
3/8"	14.7mm	20mm	-	42mm	US

HFB384



HOLE	THICK	WIDTH	ANGLE	OAL	FITS
3/8"	1/2"	25.4mm	-	45mm	US

CAUTION

Illustrations shown in this reference guide may vary slightly in detail from actual parts due to manufacturer's tolerances and design differences. Note: Illustrations not to scale.

DISCLAIMER NOTICE

The illustrations and data contained in this illustrated reference guide are intended as an aid in identifying the various products and have been obtained and developed from the specifications and information available. Although BrakeQuip believes that such illustrations and data are correct, errors may exist and further verification on the part of the user may be necessary.

A = Asian

EU = European

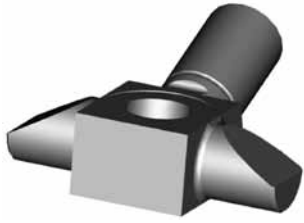
US = United States

UNI = Universal

V = Various

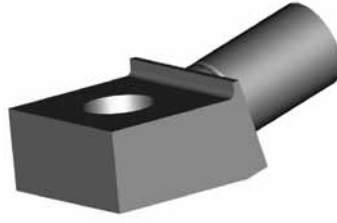
BANJO FITTINGS

HFB41



HOLE	THICK	WIDTH	ANGLE	OAL	FITS
7/16"	14mm	48mm	20°	50mm	US

HFB48



HOLE	THICK	WIDTH	ANGLE	OAL	FITS
7/16"	1/2"	25.5mm	15°	49mm	US

HFB54



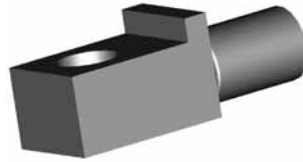
HOLE	THICK	WIDTH	ANGLE	OAL	FITS
7/16"	11mm	19mm	-	43mm	US

HFB55



HOLE	THICK	WIDTH	ANGLE	OAL	FITS
7/16"	1/2"	25mm	-	47mm	US

HFB59



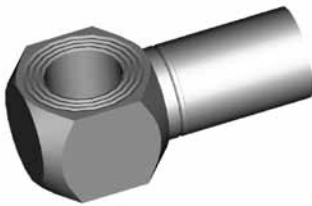
HOLE	THICK	WIDTH	ANGLE	OAL	FITS
7/16"	14.8mm	19.5mm	-	52mm	US

HFB60



HOLE	THICK	WIDTH	ANGLE	OAL	FITS
7/16"	11.5mm	20mm	10°	46mm	V

HFB66



HOLE	THICK	WIDTH	ANGLE	OAL	FITS
7/16"	14.7mm	19mm	-	41mm	US

HFB72



HOLE	THICK	WIDTH	ANGLE	OAL	FITS
7/16"	11mm	19mm	10°	42mm	US

HFB84



HOLE	THICK	WIDTH	ANGLE	OAL	FITS
7/16"	11mm	19.8mm	25°	50mm	US

Block Style - 7/16" Hole

A = Asian

EU = European

US = United States

UNI = Universal

V = Various

BANJO FITTINGS

Block - 8mm Hole

HFB112



HOLE	THICK	WIDTH	ANGLE	OAL	FITS
8mm	14mm	17mm	35°	50mm	US

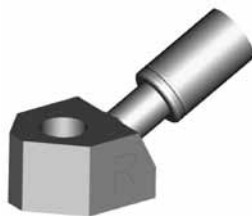
HFB07



Left

HOLE	THICK	WIDTH	ANGLE	OAL	FITS
10mm	16mm	22mm	27°	59mm	A

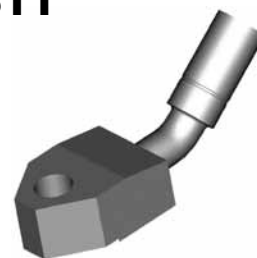
HFB08



Right

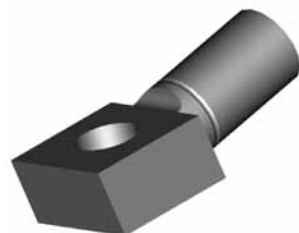
HOLE	THICK	WIDTH	ANGLE	OAL	FITS
10mm	16mm	22mm	27°	59mm	A

HFB11



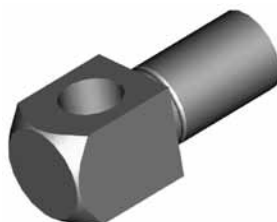
HOLE	THICK	WIDTH	ANGLE	OAL	FITS
10mm	16mm	28mm	40°	92mm	A

HFB12



HOLE	THICK	WIDTH	ANGLE	OAL	FITS
10mm	11.5mm	20mm	10°	46mm	V

HFB13



HOLE	THICK	WIDTH	ANGLE	OAL	FITS
10mm	16mm	16mm	-	42mm	V

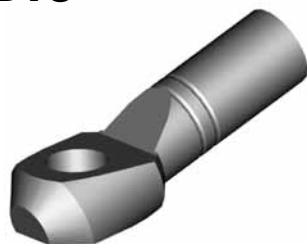
HFB14



HOLE	THICK	WIDTH	ANGLE	OAL	FITS
10mm	13mm	20mm	20°	55mm	US

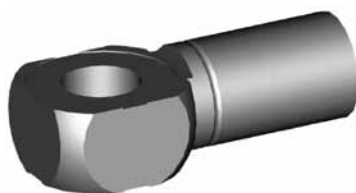
Block Style - 10mm Hole

HFB16



HOLE	THICK	WIDTH	ANGLE	OAL	FITS
10mm	10.4mm	19mm	20°	54mm	EU

HFB40



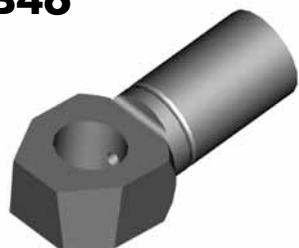
HOLE	THICK	WIDTH	ANGLE	OAL	FITS
10mm	11.3mm	19mm	-	42mm	US

HFB45



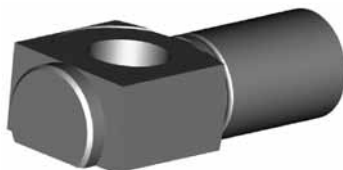
HOLE	THICK	WIDTH	ANGLE	OAL	FITS
10mm	11mm	19.6mm	10°	47mm	US

HFB46



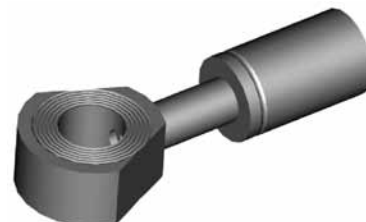
HOLE	THICK	WIDTH	ANGLE	OAL	FITS
10mm	11mm	17.6mm	10°	44mm	US

HFB49



HOLE	THICK	WIDTH	ANGLE	OAL	FITS
10mm	11.3mm	19mm	-	44mm	US

HFB53



HOLE	THICK	WIDTH	ANGLE	OAL	FITS
10mm	10mm	22mm	-	57mm	US

A = Asian

EU = European

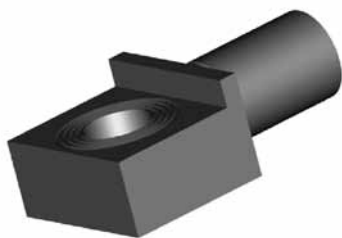
US = United States

UNI = Universal

V = Various

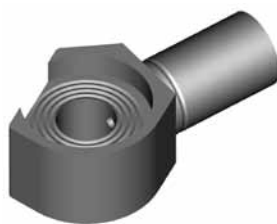
BANJO FITTINGS

HFB56



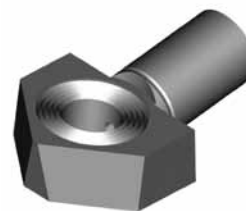
HOLE	THICK	WIDTH	ANGLE	OAL	FITS
10mm	11.7mm	26mm	-	45mm	US

HFB57



HOLE	THICK	WIDTH	ANGLE	OAL	FITS
10mm	11.6mm	33mm	-	49mm	US

HFB62



HOLE	THICK	WIDTH	ANGLE	OAL	FITS
10mm	11mm	28mm	10°	44mm	US

HFB81



HOLE	THICK	WIDTH	ANGLE	OAL	FITS
10mm	23mm	16mm	50°	46mm	A

HFB85



HOLE	THICK	WIDTH	ANGLE	OAL	FITS
10mm	14.7mm	48mm	20°	50mm	US

HFB91



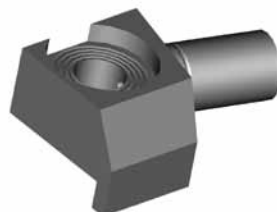
HOLE	THICK	WIDTH	ANGLE	OAL	FITS
10mm	11.4mm	20mm	-	42mm	US

HFB100



HOLE	THICK	WIDTH	ANGLE	OAL	FITS
10mm	8mm	17mm	-	51mm	EU

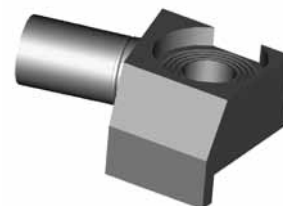
HFB133



Right

HOLE	THICK	WIDTH	ANGLE	OAL	FITS
10mm	11mm	26mm	-	90mm	US

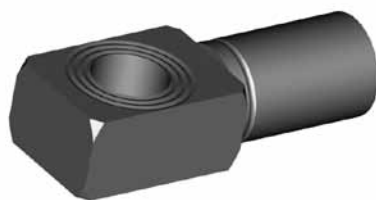
HFB134



Left

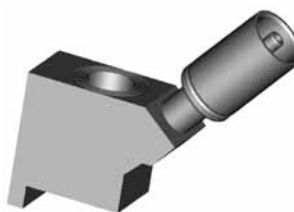
HOLE	THICK	WIDTH	ANGLE	OAL	FITS
10mm	11mm	26mm	-	50mm	US

HFB144



HOLE	THICK	WIDTH	ANGLE	OAL	FITS
10mm	11.5mm	17mm	-	46mm	V

HFB149



HOLE	THICK	WIDTH	ANGLE	OAL	FITS
10mm	24mm	16mm	50°	55mm	A

HFB187



HOLE	THICK	WIDTH	ANGLE	OAL	FITS
10mm	8mm	19mm	-	61mm	EU

HFB286



HOLE	THICK	WIDTH	ANGLE	OAL	FITS
10mm	11.5	22.4mm	-	62mm	US

HFB300



HOLE	THICK	WIDTH	ANGLE	OAL	FITS
10mm	11.4mm	17mm	15°	50mm	A

HFB403



HOLE	THICK	WIDTH	ANGLE	OAL	FITS
10mm	11.5	26mm	-	52mm	US

Block Style - 10mm Hole

A = Asian

EU = European

US = United States

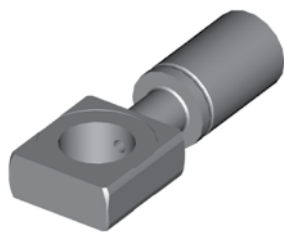
UNI = Universal

V = Various

BANJO FITTINGS

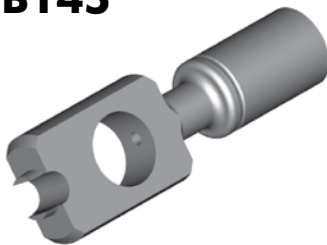
Block Style - 12mm & 16mm Hole

HFB101



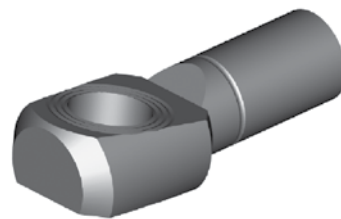
HOLE	THICK	WIDTH	ANGLE	OAL	FITS
12mm	8mm	19mm	-	51mm	EU

HFB145



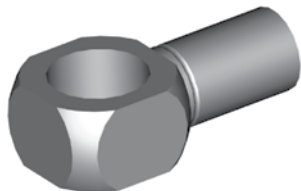
HOLE	THICK	WIDTH	ANGLE	OAL	FITS
12mm	8mm	19mm	-	61mm	EU

HFB146



HOLE	THICK	WIDTH	ANGLE	OAL	FITS
12mm	11.5mm	20mm	10°	50mm	EU

HFB38



HOLE	THICK	WIDTH	ANGLE	OAL	FITS
16mm	14mm	22.2mm	-	44mm	US

DID YOU KNOW?

Some female fittings were designed with locating and directional profiles to enable the novice installer to route the hose correctly. This meant having both left hand and right hand fittings. BrakeQuip designs these fittings with a locating profile only, which then makes this fitting able to fit both sides of the vehicle.

DID YOU KNOW?

Most female fittings with a bulkhead mount use a 5/8" x 18NF thread, and this is the only thread that BQ supplies. However some of these fittings come with a M16 x 1.5 or a fine brass thread. If in doubt, supply a BQ13 nut with the fitting.

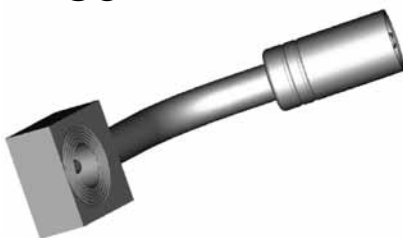
BANJO FITTINGS

HFB39



HOLE	THICK	WIDTH	ANGLE	OAL	FITS
3/8"	1/2"	19.2mm	15°	104mm	US

HFB58



HOLE	THICK	WIDTH	ANGLE	OAL	FITS
3/8"	7/16"	22.2mm	65°	80mm	US

HFB90



HOLE	THICK	WIDTH	ANGLE	OAL	FITS
3/8"	7/16"	19mm	35°	75mm	US

HFB98



HOLE	THICK	WIDTH	ANGLE	OAL	FITS
3/8"	1/2"	25mm	25°	120mm	US

HFB148



HOLE	THICK	WIDTH	ANGLE	OAL	FITS
3/8"	1/2"	25mm	85°	131mm	US

HFB182



HOLE	THICK	WIDTH	ANGLE	OAL	FITS
3/8"	1/2"	22.2mm	-	165mm	US

HFB188



HOLE	THICK	WIDTH	ANGLE	OAL	FITS
3/8"	12.5mm	40mm	90°	116mm	US

HFB193



HOLE	THICK	WIDTH	ANGLE	OAL	FITS
3/8"	1/2"	23mm	10°	110mm	US

HFB203



HOLE	THICK	WIDTH	ANGLE	OAL	FITS
3/8"	11mm	25mm	35°	75mm	US

HFB211



HOLE	THICK	WIDTH	ANGLE	OAL	FITS
3/8"	1/2"	22mm	-	175mm	US

HFB273



HOLE	THICK	WIDTH	ANGLE	OAL	FITS
3/8"	1/2"	28.5mm	90°	-	US

HFB61



HOLE	THICK	WIDTH	ANGLE	OAL	FITS
7/16"	14.6mm	22.2mm	105°	60mm	US

HFB80



HOLE	THICK	WIDTH	ANGLE	OAL	FITS
7/16"	15mm	20mm	30°	110mm	US

HFB276



HOLE	THICK	WIDTH	ANGLE	OAL	FITS
7/16"	14.7mm	22.2mm	90°	65mm	US

Tube Style (Either Side) - 3/8" Hole

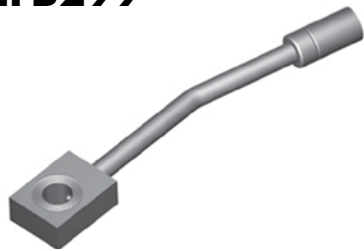
7/16" Hole

A = Asian EU = European US = United States UNI = Universal V = Various

BANJO FITTINGS

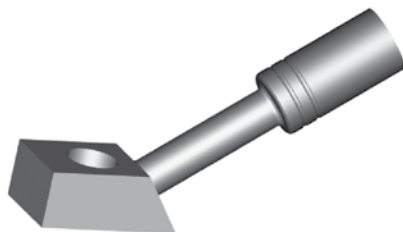
7/16" Hole

HFB299



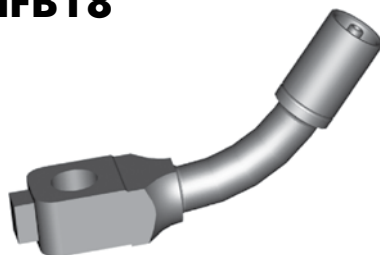
HOLE	THICK	WIDTH	ANGLE	OAL	FITS
7/16"	12mm	24.3mm	15°	150mm	US

HFB17



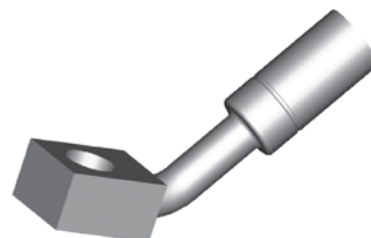
HOLE	THICK	WIDTH	ANGLE	OAL	FITS
10mm	11.5mm	17mm	35°	78mm	V

HFB18



HOLE	THICK	WIDTH	ANGLE	OAL	FITS
10mm	13mm	18mm	50°	78mm	A

HFB21



HOLE	THICK	WIDTH	ANGLE	OAL	FITS
10mm	11.5mm	17mm	50°	72mm	V

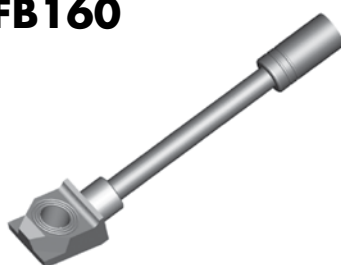
Tube Style (Either Side) - 10mm Hole

HFB51



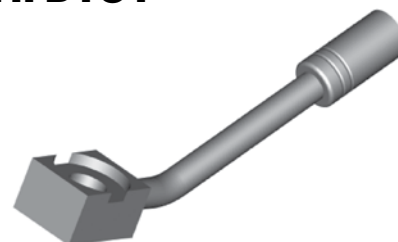
HOLE	THICK	WIDTH	ANGLE	OAL	FITS
10mm	11mm	22.2mm	55°	75mm	US

HFB160



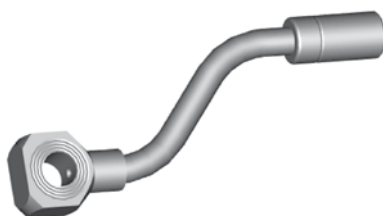
HOLE	THICK	WIDTH	ANGLE	OAL	FITS
10mm	11mm	20mm	25°	127mm	US

HFB161



HOLE	THICK	WIDTH	ANGLE	OAL	FITS
10mm	11.5mm	20mm	30°	121mm	US

HFB173



HOLE	THICK	WIDTH	ANGLE	OAL	FITS
10mm	12mm	22.2mm	50°	118mm	US

HFB180



HOLE	THICK	WIDTH	ANGLE	OAL	FITS
10mm	11mm	19.5mm	30°	65mm	US

HFB251



HOLE	THICK	WIDTH	ANGLE	OAL	FITS
10mm	12.6mm	19.6mm	90°	80mm	US

DID YOU KNOW?
Some flared tube style fittings are deliberately made longer to make them more universal. This enables you to bend the tube to the desired shape and allows you plenty of room to place the BQ23 test spade under the nut for testing.

A = Asian

EU = European

US = United States

UNI = Universal

V = Various

BANJO FITTINGS

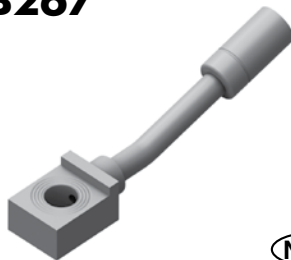
HFB256



NEW

HOLE	THICK	WIDTH	ANGLE	OAL	FITS
10mm	11.7mm	19.5mm	75°	110mm	US

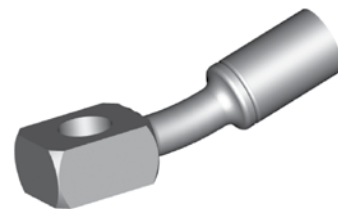
HFB267



NEW

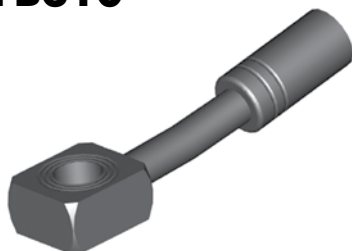
HOLE	THICK	WIDTH	ANGLE	OAL	FITS
10mm	11.7mm	20.5mm	15°	90mm	US

HFB309



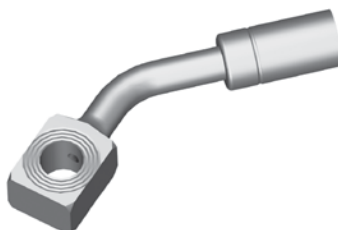
HOLE	THICK	WIDTH	ANGLE	OAL	FITS
10mm	11.5mm	17mm	15°	62mm	V

HFB310



HOLE	THICK	WIDTH	ANGLE	OAL	FITS
10mm	11.5mm	19mm	10°	82mm	V

HFB378



HOLE	THICK	WIDTH	ANGLE	OAL	FITS
10mm	11.6mm	17mm	45°	-	US

HFB405



NEW

HOLE	THICK	WIDTH	ANGLE	OAL	FITS
10mm	11.7mm	19.5mm	40°	57mm	US

HFB379



HOLE	THICK	WIDTH	ANGLE	OAL	FITS
12mm	8.5mm	19mm	30°	60mm	EU

Tube Style (Either Side) - 10mm Hole

12mm Hole

DID YOU KNOW?

BrakeQuip makes the round style banjo fittings that only have one bend in a straight form to allow you to easily bend the banjo shank to the desired shape. You can usually bend these banjo fittings up to 90° by using the available banjo bending tools.

DID YOU KNOW?

Some banjo fittings have the banjo hole offset from the center as a locator on the caliper. By reducing the offset amount from the opposite side also allows the banjo hole to be in the center and able to fit both sides instead of just one side only.

A = Asian

EU = European

US = United States

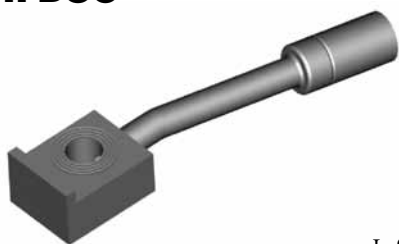
UNI = Universal

V = Various

BANJO FITTINGS

Tube Style (Left/Right) - 3/8" Hole

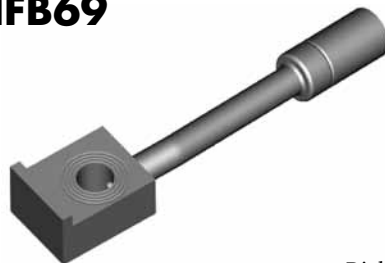
HFB68



Left

HOLE	THICK	WIDTH	ANGLE	OAL	FITS
3/8"	1/2"	22.4mm	7°	110mm	US

HFB69



Right

HOLE	THICK	WIDTH	ANGLE	OAL	FITS
3/8"	1/2"	22.4mm	7°	110mm	US

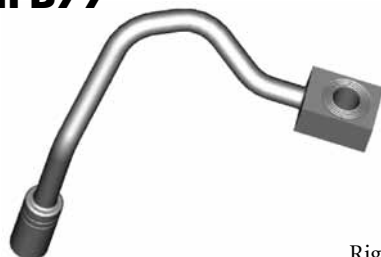
HFB76



Left

HOLE	THICK	WIDTH	ANGLE	OAL	FITS
3/8"	1/2"	19.7mm	90°	143mm	US

HFB77



Right

HOLE	THICK	WIDTH	ANGLE	OAL	FITS
3/8"	1/2"	19.7mm	90°	143mm	US

HFB82



Right

HOLE	THICK	WIDTH	ANGLE	OAL	FITS
3/8"	1/2"	26mm	50°	147mm	US

HFB83



Left

HOLE	THICK	WIDTH	ANGLE	OAL	FITS
3/8"	1/2"	26mm	50°	147mm	US

HFB102



Right

HOLE	THICK	WIDTH	ANGLE	OAL	FITS
3/8"	1/2"	23mm	23°	140mm	US

HFB103



Left

HOLE	THICK	WIDTH	ANGLE	OAL	FITS
3/8"	1/2"	23mm	23°	140mm	US

HFB115



Right

HOLE	THICK	WIDTH	ANGLE	OAL	FITS
3/8"	1/2"	22.2mm	55°	112mm	US

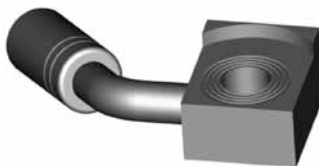
HFB116



Left

HOLE	THICK	WIDTH	ANGLE	OAL	FITS
3/8"	1/2"	22.2mm	55°	112mm	US

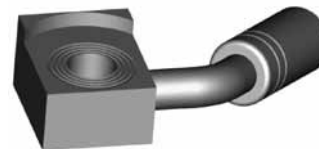
HFB125



Left

HOLE	THICK	WIDTH	ANGLE	OAL	FITS
3/8"	1/2"	25mm	55°	64mm	US

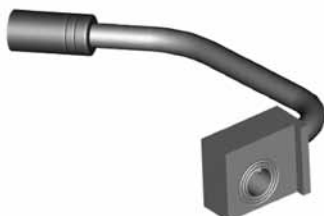
HFB126



Right

HOLE	THICK	WIDTH	ANGLE	OAL	FITS
3/8"	1/2"	25mm	55°	64mm	US

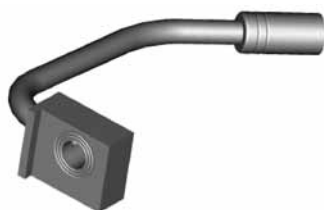
HFB127



Right

HOLE	THICK	WIDTH	ANGLE	OAL	FITS
3/8"	1/2"	25mm	90°	136mm	US

HFB128



Left

HOLE	THICK	WIDTH	ANGLE	OAL	FITS
3/8"	1/2"	25mm	90°	136mm	US

HFB129



Left

HOLE	THICK	WIDTH	ANGLE	OAL	FITS
3/8"	1/2"	25mm	85°	185mm	US

A = Asian

EU = European

US = United States

UNI = Universal

V = Various

BANJO FITTINGS

HFB130



Right

HOLE	THICK	WIDTH	ANGLE	OAL	FITS
3/8"	1/2"	25mm	85°	185mm	US

HFB131



Right

HOLE	THICK	WIDTH	ANGLE	OAL	FITS
3/8"	1/2"	25mm	30°	148mm	US

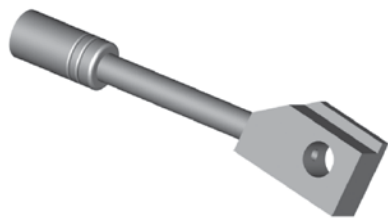
HFB132



Left

HOLE	THICK	WIDTH	ANGLE	OAL	FITS
3/8"	1/2"	25mm	30°	148mm	US

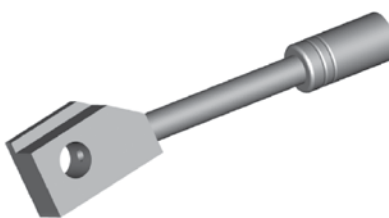
HFB135



Right

HOLE	THICK	WIDTH	ANGLE	OAL	FITS
3/8"	7/16"	22.2mm	10°	114mm	US

HFB136



Left

HOLE	THICK	WIDTH	ANGLE	OAL	FITS
3/8"	7/16"	22.2mm	10°	114mm	US

HFB140

NEW



Left

HOLE	THICK	WIDTH	ANGLE	OAL	FITS
3/8"	1/2"	22.2mm	75°	111mm	US

HFB141

NEW



Right

HOLE	THICK	WIDTH	ANGLE	OAL	FITS
3/8"	1/2"	22.2mm	75°	111mm	US

HFB155



Right

HOLE	THICK	WIDTH	ANGLE	OAL	FITS
3/8"	1/2"	25mm	70°	190mm	US

HFB156



Left

HOLE	THICK	WIDTH	ANGLE	OAL	FITS
3/8"	1/2"	25mm	70°	190mm	US

HFB174



Right

HOLE	THICK	WIDTH	ANGLE	OAL	FITS
3/8"	1/2"	22.2mm	90°	70mm	US

HFB175



Left

HOLE	THICK	WIDTH	ANGLE	OAL	FITS
3/8"	1/2"	22.2mm	90°	70mm	US

HFB185



Left

HOLE	THICK	WIDTH	ANGLE	OAL	FITS
3/8"	1/2"	25mm	75°	180mm	US

HFB209



Left

HOLE	THICK	WIDTH	ANGLE	OAL	FITS
3/8"	1/2"	23mm	90°	180mm	US

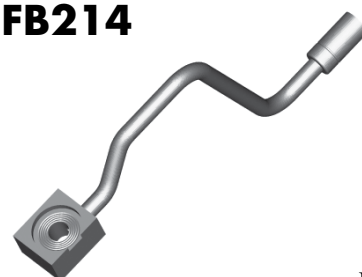
HFB210



Right

HOLE	THICK	WIDTH	ANGLE	OAL	FITS
3/8"	1/2"	23mm	90°	180mm	US

HFB214



Left

HOLE	THICK	WIDTH	ANGLE	OAL	FITS
3/8"	1/2"	25.4mm	75°	245mm	US

Tube Style (Left/Right) - 3/8" Hole

A = Asian

EU = European

US = United States

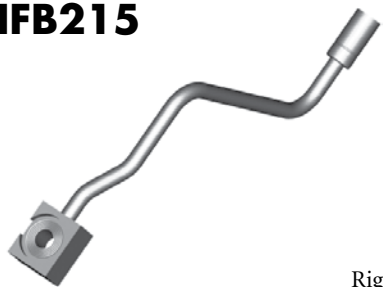
UNI = Universal

V = Various

BANJO FITTINGS

Tube Style (Left/Right) - 3/8" Hole

HFB215



Right

HOLE	THICK	WIDTH	ANGLE	OAL	FITS
3/8"	1/2"	25.4mm	75°	245mm	US

HFB217



Right

HOLE	THICK	WIDTH	ANGLE	OAL	FITS
3/8"	1/2"	25.4mm	90°	210mm	US

HFB218



Left

HOLE	THICK	WIDTH	ANGLE	OAL	FITS
3/8"	1/2"	25.4mm	90°	210mm	US

HFB221



Left

HOLE	THICK	WIDTH	ANGLE	OAL	FITS
3/8"	1/2"	25.5mm	90°	180mm	US

HFB222

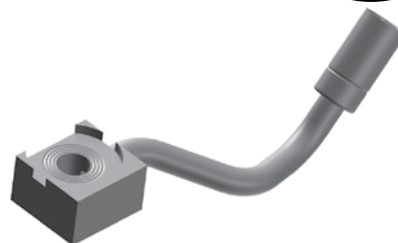


Right

HOLE	THICK	WIDTH	ANGLE	OAL	FITS
3/8"	1/2"	25.5mm	90°	180mm	US

HFB270

NEW



HOLE	THICK	WIDTH	ANGLE	OAL	FITS
3/8"	1/2"	25.4mm	-	-	US

HFB277

NEW

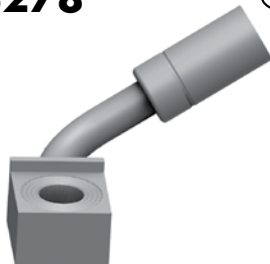


Right

HOLE	THICK	WIDTH	ANGLE	OAL	FITS
3/8"	1/2"	22.2mm	90°	73mm	US

HFB278

NEW



Left

HOLE	THICK	WIDTH	ANGLE	OAL	FITS
3/8"	1/2"	22.2mm	90°	73mm	US

HFB306



Right

HOLE	THICK	WIDTH	ANGLE	OAL	FITS
3/8"	1/2"	26mm	70°	134mm	US

HFB307



Left

HOLE	THICK	WIDTH	ANGLE	OAL	FITS
3/8"	1/2"	26mm	70°	134mm	US

HFB315



Left

HOLE	THICK	WIDTH	ANGLE	OAL	FITS
3/8"	1/2"	22.2mm	-	195mm	US

HFB316



Right

HOLE	THICK	WIDTH	ANGLE	OAL	FITS
3/8"	1/2"	22.2mm	-	195mm	US

HFB317



Left

HOLE	THICK	WIDTH	ANGLE	OAL	FITS
3/8"	1/2"	22.2mm	65°	178mm	US

HFB318



Right

HOLE	THICK	WIDTH	ANGLE	OAL	FITS
3/8"	1/2"	22.2mm	65°	178mm	US

HFB321



Right

HOLE	THICK	WIDTH	ANGLE	OAL	FITS
3/8"	1/2"	24.4mm	-	105mm	US

A = Asian

EU = European

US = United States

UNI = Universal

V = Various

BANJO FITTINGS

HFB322



Left

HOLE	THICK	WIDTH	ANGLE	OAL	FITS
3/8"	1/2"	24.4mm	-	105mm	US

HFB323



Left

HOLE	THICK	WIDTH	ANGLE	OAL	FITS
3/8"	1/2"	23mm	90°	63mm	US

HFB324



Right

HOLE	THICK	WIDTH	ANGLE	OAL	FITS
3/8"	1/2"	23mm	90°	63mm	US

HFB380



Left

HOLE	THICK	WIDTH	ANGLE	OAL	FITS
3/8"	7/16"	25.4mm	60°	165mm	US

HFB381



Right

HOLE	THICK	WIDTH	ANGLE	OAL	FITS
3/8"	7/16"	25.4mm	60°	165mm	US

HFB418

NEW



Left

HOLE	THICK	WIDTH	ANGLE	OAL	FITS
3/8"	7/16"	7/8"	60°	80mm	US

HFB419

NEW



Right

HOLE	THICK	WIDTH	ANGLE	OAL	FITS
3/8"	7/16"	7/8"	60°	80mm	US

HFB430

NEW



Right

HOLE	THICK	WIDTH	ANGLE	OAL	FITS
3/8"	1/2"	23.3mm	-	-	US

HFB431

NEW



Left

HOLE	THICK	WIDTH	ANGLE	OAL	FITS
3/8"	1/2"	23.3mm	-	-	US

Tube Style (Left/Right) - 3/8" Hole

A = Asian

EU = European

US = United States

UNI = Universal

V = Various

BANJO FITTINGS

Tube Style (Left/Right) - 7/16" Hole

HFB78



Left

HOLE	THICK	WIDTH	ANGLE	OAL	FITS
7/16"	11mm	22.2mm	90°	133mm	US

HFB79



Right

HOLE	THICK	WIDTH	ANGLE	OAL	FITS
7/16"	11mm	22.2mm	90°	133mm	US

HFB94



Left

HOLE	THICK	WIDTH	ANGLE	OAL	FITS
7/16"	11.6mm	20mm	90°	110mm	US

HFB95



Right

HOLE	THICK	WIDTH	ANGLE	OAL	FITS
7/16"	11.6mm	20mm	90°	110mm	US

HFB123



Left

HOLE	THICK	WIDTH	ANGLE	OAL	FITS
7/16"	14.8mm	22.2mm	85°	90mm	US

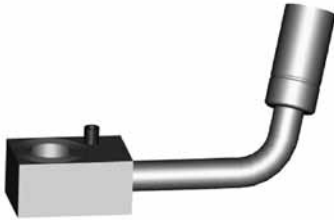
HFB124



Right

HOLE	THICK	WIDTH	ANGLE	OAL	FITS
7/16"	14.8mm	22.2mm	85°	90mm	US

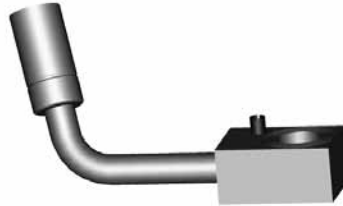
HFB176



Left

HOLE	THICK	WIDTH	ANGLE	OAL	FITS
7/16"	14.8mm	20.6mm	75°	70mm	US

HFB177



Right

HOLE	THICK	WIDTH	ANGLE	OAL	FITS
7/16"	14.8mm	20.6mm	75°	70mm	US

HFB189



Right

HOLE	THICK	WIDTH	ANGLE	OAL	FITS
7/16"	15mm	20mm	30°	90mm	US

HFB190



Left

HOLE	THICK	WIDTH	ANGLE	OAL	FITS
7/16"	15mm	20mm	30°	90mm	US

HFB201



Left

HOLE	THICK	WIDTH	ANGLE	OAL	FITS
7/16"	1/2"	22.2mm	55°	125mm	US

HFB202



Right

HOLE	THICK	WIDTH	ANGLE	OAL	FITS
7/16"	1/2"	22.2mm	55°	125mm	US

HFB237



Right

HOLE	THICK	WIDTH	ANGLE	OAL	FITS
7/16"	7/16"	22.2mm	90°	100mm	US

HFB238



Left

HOLE	THICK	WIDTH	ANGLE	OAL	FITS
7/16"	7/16"	22.2mm	90°	100mm	US

A = Asian

EU = European

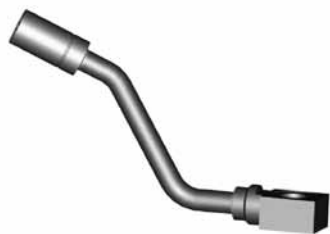
US = United States

UNI = Universal

V = Various

BANJO FITTINGS

HFB42



Left

HOLE	THICK	WIDTH	ANGLE	OAL	FITS
10mm	12mm	19.6mm	60°	130mm	US

HFB43



Right

HOLE	THICK	WIDTH	ANGLE	OAL	FITS
10mm	12mm	19.6mm	60°	130mm	US

HFB52



Right

Left=HFB74

HOLE	THICK	WIDTH	ANGLE	OAL	FITS
10mm	11mm	28.6mm	107°	145mm	US

HFB86



Left

HOLE	THICK	WIDTH	ANGLE	OAL	FITS
10mm	11.2mm	28.6mm	70°	175mm	US

HFB87



Right

HOLE	THICK	WIDTH	ANGLE	OAL	FITS
10mm	11.2mm	28.6mm	70°	175mm	US

HFB74



Left

Right=HFB52

HOLE	THICK	WIDTH	ANGLE	OAL	FITS
10mm	11mm	28.6mm	107°	145mm	US

HFB107



Right

HOLE	THICK	WIDTH	ANGLE	OAL	FITS
10mm	11.6mm	20mm	75°	86mm	US

HFB108



Left

HOLE	THICK	WIDTH	ANGLE	OAL	FITS
10mm	11.6mm	20mm	75°	86mm	US

HFB113



Right

HOLE	THICK	WIDTH	ANGLE	OAL	FITS
10mm	11.8mm	42mm	30°	130mm	US

HFB114



Left

HOLE	THICK	WIDTH	ANGLE	OAL	FITS
10mm	11.8mm	42mm	30°	130mm	US

HFB117



Left

HOLE	THICK	WIDTH	ANGLE	OAL	FITS
10mm	12mm	20mm	90°	50mm	US

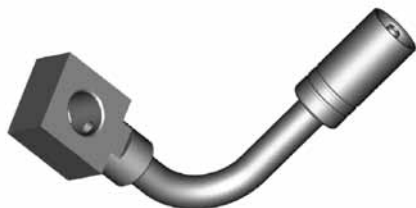
HFB118



Right

HOLE	THICK	WIDTH	ANGLE	OAL	FITS
10mm	12mm	20mm	90°	50mm	US

HFB119



Right

HOLE	THICK	WIDTH	ANGLE	OAL	FITS
10mm	12mm	20mm	90°	60mm	US

HFB120



Left

HOLE	THICK	WIDTH	ANGLE	OAL	FITS
10mm	12mm	20mm	90°	60mm	US

HFB121



Right

HOLE	THICK	WIDTH	ANGLE	OAL	FITS
10mm	12.7mm	22.2mm	65°	127mm	US

Tube Style (Left/Right) - 10mm Hole

A = Asian

EU = European

US = United States

UNI = Universal

V = Various

BANJO FITTINGS

Tube Style (Left/Right) - 10mm Hole

HFB122



Left

HOLE	THICK	WIDTH	ANGLE	OAL	FITS
10mm	12.7mm	22.2mm	65°	127mm	US

HFB142



Right

HOLE	THICK	WIDTH	ANGLE	OAL	FITS
10mm	11.8mm	22.2mm	75°	99mm	US

HFB143



Left

HOLE	THICK	WIDTH	ANGLE	OAL	FITS
10mm	11.8mm	22.2mm	75°	99mm	US

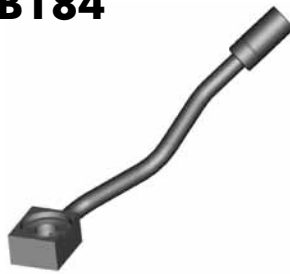
HFB183



Left

HOLE	THICK	WIDTH	ANGLE	OAL	FITS
10mm	11.7mm	22.2mm	70°	-	US

HFB184



Right

HOLE	THICK	WIDTH	ANGLE	OAL	FITS
10mm	11.7mm	22.2mm	70°	-	US

HFB216



Right

HOLE	THICK	WIDTH	ANGLE	OAL	FITS
10mm	11.7mm	26mm	20°	200mm	US

HFB239



Right

HOLE	THICK	WIDTH	ANGLE	OAL	FITS
10mm	11.7mm	22.2mm	55°	200mm	US

HFB240



Left

HOLE	THICK	WIDTH	ANGLE	OAL	FITS
10mm	11.7mm	22.2mm	55°	200mm	US

HFB241



Right

HOLE	THICK	WIDTH	ANGLE	OAL	FITS
10mm	11.7mm	22.2mm	50°	100mm	US

HFB242



Left

HOLE	THICK	WIDTH	ANGLE	OAL	FITS
10mm	11.5mm	22.2mm	80°	220mm	US

HFB245



Right

HOLE	THICK	WIDTH	ANGLE	OAL	FITS
10mm	11.7mm	22.2mm	85°	100mm	US

HFB246



Left

HOLE	THICK	WIDTH	ANGLE	OAL	FITS
10mm	11.7mm	22.2mm	85°	100mm	US

HFB247



Left

HOLE	THICK	WIDTH	ANGLE	OAL	FITS
10mm	11.7mm	22.2mm	30°	-	US

HFB248



Right

HOLE	THICK	WIDTH	ANGLE	OAL	FITS
10mm	11.7mm	22.2mm	30°	-	US

HFB249



Left

HOLE	THICK	WIDTH	ANGLE	OAL	FITS
10mm	11.7mm	22.2mm	50°	-	US

A = Asian

EU = European

US = United States

UNI = Universal

V = Various

BANJO FITTINGS

HFB250



Right

HOLE	THICK	WIDTH	ANGLE	OAL	FITS
10mm	11.7mm	22.2mm	50°	-	US

HFB259

NEW



Left

HOLE	THICK	WIDTH	ANGLE	OAL	FITS
10mm	1/2"	20.5mm	90°	110mm	US

HFB260

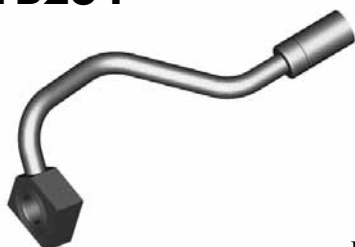
NEW



Right

HOLE	THICK	WIDTH	ANGLE	OAL	FITS
10mm	1/2"	20.5mm	90°	110mm	US

HFB284



Left

HOLE	THICK	WIDTH	ANGLE	OAL	FITS
10mm	11.5mm	24.4mm	75°	-	US

HFB285



Right

HOLE	THICK	WIDTH	ANGLE	OAL	FITS
10mm	11.5mm	22.4mm	75°	-	US

HFB328



Right

HOLE	THICK	WIDTH	ANGLE	OAL	FITS
10mm	11mm	22mm	110°	75mm	A

HFB329



Left

HOLE	THICK	WIDTH	ANGLE	OAL	FITS
10mm	11mm	22mm	110°	75mm	A

HFB332



Right

HOLE	THICK	WIDTH	ANGLE	OAL	FITS
10mm	11.7mm	22.2mm	90°	65mm	US

HFB333



Left

HOLE	THICK	WIDTH	ANGLE	OAL	FITS
10mm	11.7mm	22.2mm	-	95mm	US

HFB367



Left

HOLE	THICK	WIDTH	ANGLE	OAL	FITS
10mm	11mm	18mm	90°	60mm	A

HFB368



Right

HOLE	THICK	WIDTH	ANGLE	OAL	FITS
10mm	11mm	18mm	90°	60mm	A

HFB369



Left

HOLE	THICK	WIDTH	ANGLE	OAL	FITS
10mm	11mm	22mm	90°	60mm	A

HFB370



Right

HOLE	THICK	WIDTH	ANGLE	OAL	FITS
10mm	11mm	22mm	90°	60mm	A

HFB376



Left

HOLE	THICK	WIDTH	ANGLE	OAL	FITS
10mm	11.5mm	17mm	55°	-	A

HFB377



Right

HOLE	THICK	WIDTH	ANGLE	OAL	FITS
10mm	11.5mm	17mm	55°	-	A

Tube Style (Left/Right) - 10mm Hole

A = Asian

EU = European

US = United States

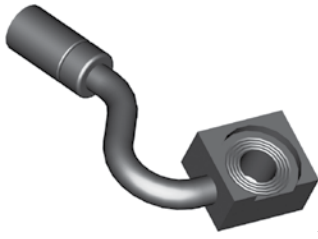
UNI = Universal

V = Various

BANJO FITTINGS

Tube Style (Left/Right) - 10mm Hole

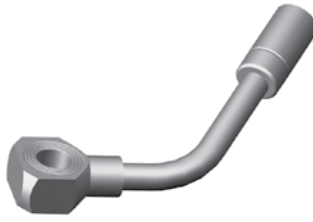
HFB404



Right

HOLE	THICK	WIDTH	ANGLE	OAL	FITS
10mm	11.7mm	22.2mm	125°	-	US

HFB410



Left

HOLE	THICK	WIDTH	ANGLE	OAL	FITS
10mm	12mm	22mm	55°	-	US

HFB411



Right

HOLE	THICK	WIDTH	ANGLE	OAL	FITS
10mm	12mm	22mm	55°	-	US

HFB450

NEW



Right

HOLE	THICK	WIDTH	ANGLE	OAL	FITS
10mm	12.5mm	20mm	90°	80mm	US

HFB451

NEW



Left

HOLE	THICK	WIDTH	ANGLE	OAL	FITS
10mm	12.5mm	20mm	90°	80mm	US

HFB474

NEW



Right

HOLE	THICK	WIDTH	ANGLE	OAL	FITS
10mm	1/2"	18mm	-	-	US

HFB475

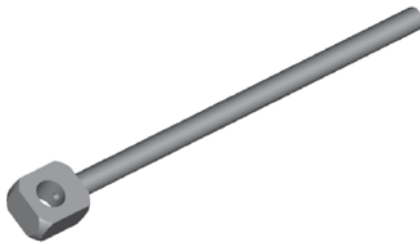
NEW



Left

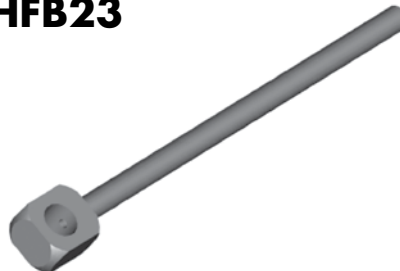
HOLE	THICK	WIDTH	ANGLE	OAL	FITS
10mm	1/2"	18mm	-	-	US

HFB22



HOLE	THICK	WIDTH	ANGLE	OAL	FITS
10mm	11.5mm	19mm	-	172mm	UNI

HFB23



HOLE	THICK	WIDTH	ANGLE	OAL	FITS
7/16"	1/2"	19mm	-	172mm	UNI

Universal

DID YOU KNOW?

Manufacturers design their fittings to suit resources available to them. For instance, some manufacturers make their female fittings with a 3/4" hex to give them a shoulder to mount to, but others prefer to make them from 5/8" hex and then supply a shoulder clip for the shoulder to mount to. BrakeQuip supplies these in both styles. Therefore the following applies.
 HFIF01 = HFIF36, HFIF02 = HFIF24,
 HFIF05 = HFIF45 and vice versa.

A = Asian

EU = European

US = United States

UNI = Universal

V = Various

CENTER SUPPORT FITTINGS

HFC01



MATERIAL	WIDTH	OAL	FITS
Steel	17mm	33mm	A

HFC02



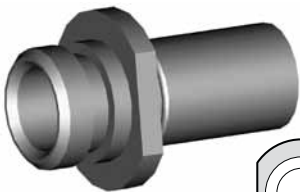
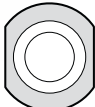

MATERIAL	WIDTH	OAL	FITS
Steel	17mm	34mm	A

HFC06




MATERIAL	WIDTH	OAL	FITS
Steel	17mm	34mm	A

HFC07

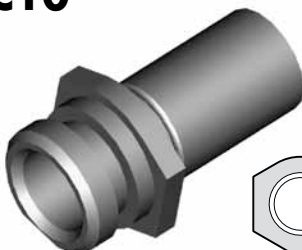
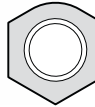
MATERIAL	WIDTH	OAL	FITS
Steel	19mm	35mm	A

HFC09




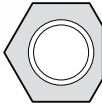

MATERIAL	WIDTH	OAL	FITS
Steel	17mm	34mm	A

HFC10


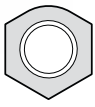
MATERIAL	WIDTH	OAL	FITS
Steel	19mm	35mm	A

HFC11

MATERIAL	WIDTH	OAL	FITS
Steel	19mm	37mm	A

HFC12

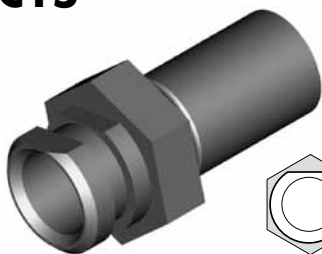
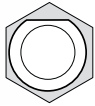
MATERIAL	WIDTH	OAL	FITS
Steel	17mm	35mm	A

HFC13



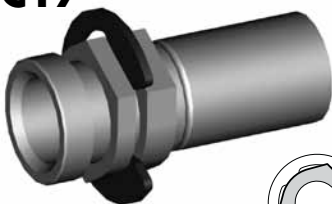


MATERIAL	WIDTH	OAL	FITS
Steel	17mm	33mm	A

HFC15

MATERIAL	WIDTH	OAL	FITS
Steel	19mm	37mm	A

HFC17

MATERIAL	WIDTH	OAL	FITS
Steel	16mm	37mm	US

HFC301



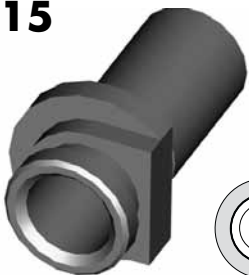
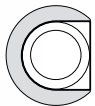

MATERIAL	WIDTH	OAL	FITS
Steel	20mm	33mm	EU

HFC307




MATERIAL	WIDTH	OAL	FITS
Steel	19mm	36mm	US

HFC315

MATERIAL	WIDTH	OAL	FITS
Steel	22mm	34mm	A

HFC327




MATERIAL	WIDTH	OAL	FITS
Steel	21mm	37mm	US

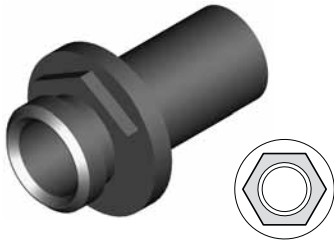
Clip Mount

A = Asian EU = European US = United States UNI = Universal V = Various

CENTER SUPPORT FITTINGS

Clip Mount

HFC331



MATERIAL	WIDTH	OAL	FITS
Steel	33mm	34mm	A

HFC04



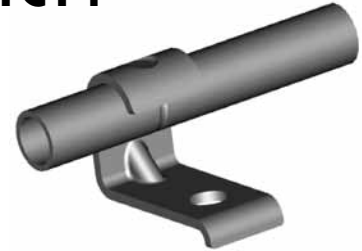
MATERIAL	WIDTH	OAL	FITS
Steel	39mm	30mm	A

HFC05



MATERIAL	WIDTH	OAL	FITS
Steel	20mm	30mm	A

HFC14



MATERIAL	WIDTH	OAL	FITS
Steel	33mm	80mm	US

HFC18



MATERIAL	WIDTH	OAL	FITS
Steel	24mm	48mm	US

HFC19



MATERIAL	WIDTH	OAL	FITS
Steel	24mm	48mm	US

HFC316



MATERIAL	WIDTH	OAL	FITS
Steel	22mm	36mm	A

Bracket Mount

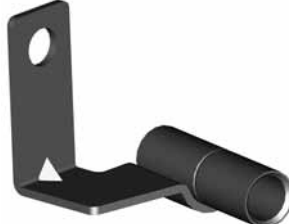
HFC317



Left

MATERIAL	WIDTH	OAL	FITS
Steel	45mm	48mm	A

HFC318



Right

MATERIAL	WIDTH	OAL	FITS
Steel	45mm	48mm	A

HFC319



Left

MATERIAL	WIDTH	OAL	FITS
Steel	45mm	50mm	A

HFC320



Right

MATERIAL	WIDTH	OAL	FITS
Steel	45mm	50mm	A

HFC321



Left

MATERIAL	WIDTH	OAL	FITS
Steel	55mm	50mm	A

HFC322



Left

MATERIAL	WIDTH	OAL	FITS
Steel	40mm	42mm	A

A = Asian

EU = European

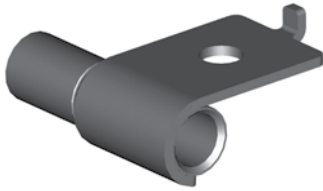
US = United States

UNI = Universal

V = Various

CENTER SUPPORT FITTINGS

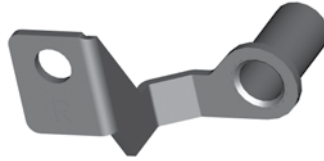
HFC323



Left

MATERIAL	WIDTH	OAL	FITS
Steel	45mm	48mm	A

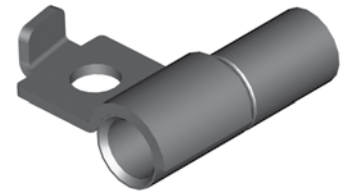
HFC324



Right

MATERIAL	WIDTH	OAL	FITS
Steel	55mm	50mm	A

HFC325



Right

MATERIAL	WIDTH	OAL	FITS
Steel	40mm	42mm	A

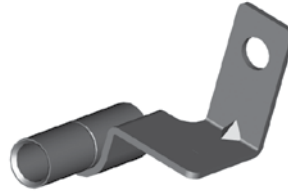
HFC326



Right

MATERIAL	WIDTH	OAL	FITS
Steel	45mm	48mm	A

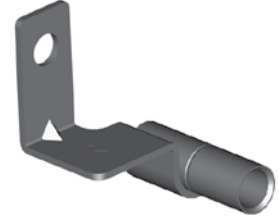
HFC328



Left

MATERIAL	WIDTH	OAL	FITS
Steel	45mm	50mm	A

HFC329



Right

MATERIAL	WIDTH	OAL	FITS
Steel	45mm	50mm	A

Bracket Mount

DID YOU KNOW?

Have you noticed all the different profiles in particular on female fittings between the retaining clip groove and the mounting shoulder? You will find this corresponding shape in the chassis or bracket where the fitting mounts. This is designed so that the hose is routed with the correct orientation. It is very important to note this orientation when assembling brake hoses. It is particularly important to make note of the orientation before you cut off any fitting you are going to reclaim with our lifesaver. Once you cut it off you have lost your orientation reference.

A = Asian

EU = European

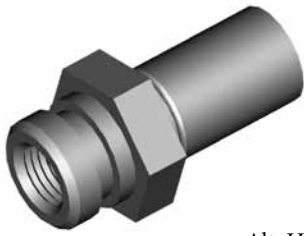
US = United States

UNI = Universal

V = Various

IMPERIAL FEMALE FITTINGS

HFIF01



Alt. HFIF36

THREAD	SEAT	MOUNT	HEX	OAL	FITS
3/8" x 24NF	Inverted	Clip	19mm	38mm	V

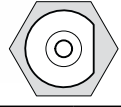
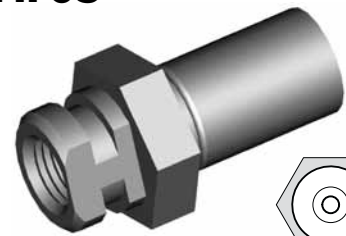
HFIF01B



Brass

THREAD	SEAT	MOUNT	HEX	OAL	FITS
3/8" x 24NF	Inverted	Clip	17mm	38mm	V

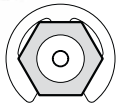
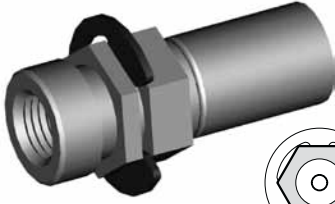
HFIF05



Alt. HFIF45

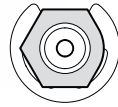
THREAD	SEAT	MOUNT	HEX	OAL	FITS
3/8" x 24NF	Inverted	Clip	19mm	38mm	V

HFIF07



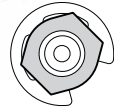
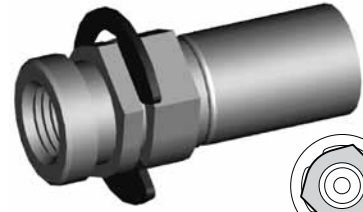
THREAD	SEAT	MOUNT	HEX	OAL	FITS
3/8" x 24NF	Inverted	Clip	16mm	41mm	US

HFIF08



THREAD	SEAT	MOUNT	HEX	OAL	FITS
3/8" x 24NF	Inverted	Clip	16mm	41mm	US

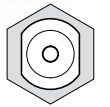
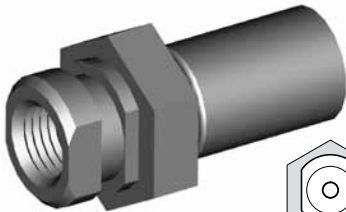
HFIF10



THREAD	SEAT	MOUNT	HEX	OAL	FITS
3/8" x 24NF	Inverted	Clip	16mm	39mm	US

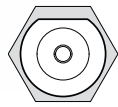
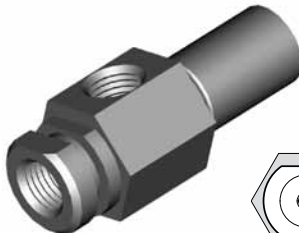
Clip Mount - 3/8" x 24NF

HFIF11



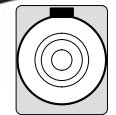
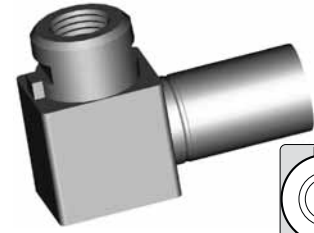
THREAD	SEAT	MOUNT	HEX	OAL	FITS
3/8" x 24NF	Inverted	Clip	19mm	38mm	V

HFIF14



THREAD	SEAT	MOUNT	HEX	OAL	FITS
3/8" x 24NF x 2	Inverted	Clip	19mm	50mm	US

HFIF18



THREAD	SEAT	MOUNT	HEX	OAL	FITS
3/8" x 24NF	Inverted	Clip	-	41mm	US

HFIF19



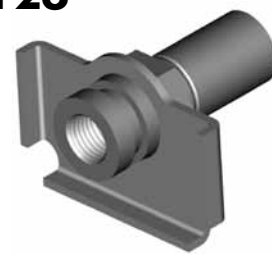
THREAD	SEAT	MOUNT	HEX	OAL	FITS
3/8" x 24NF	Inverted	Clip	16mm	38mm	US

HFIF21



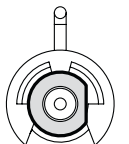
THREAD	SEAT	MOUNT	HEX	OAL	FITS
3/8" x 24NF	DPS	Clip	16mm	37mm	US

HFIF26



THREAD	SEAT	MOUNT	HEX	OAL	FITS
3/8" x 24NF	Inverted	Clip	16mm	40mm	US

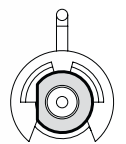
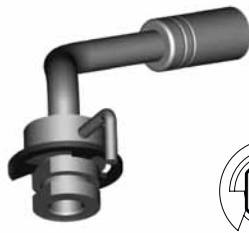
HFIF29



Left

THREAD	SEAT	MOUNT	HEX	OAL	FITS
3/8" x 24NF	Inverted	Clip	-	78mm	US

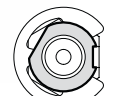
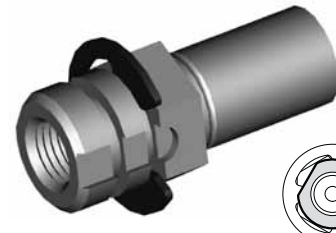
HFIF30



Right

THREAD	SEAT	MOUNT	HEX	OAL	FITS
3/8" x 24NF	Inverted	Clip	-	78mm	US

HFIF32



THREAD	SEAT	MOUNT	HEX	OAL	FITS
3/8" x 24NF	Inverted	Clip	17mm	41mm	US

A = Asian

EU = European

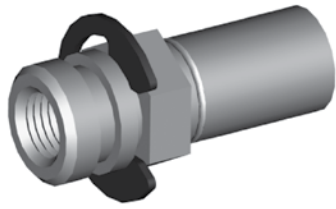
US = United States

UNI = Universal

V = Various

IMPERIAL FEMALE FITTINGS

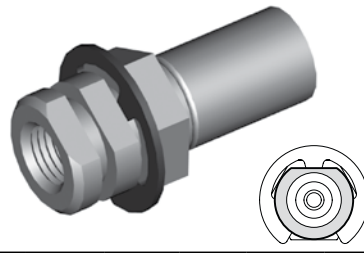
HFIF36



Alt. HFIF01

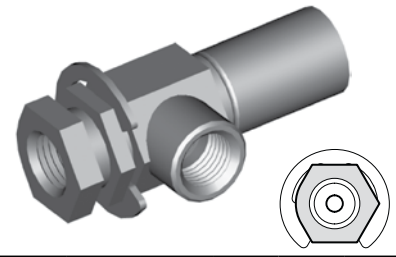
THREAD	SEAT	MOUNT	HEX	OAL	FITS
3/8" x 24NF	Inverted	Clip	16mm	39mm	US

HFIF38



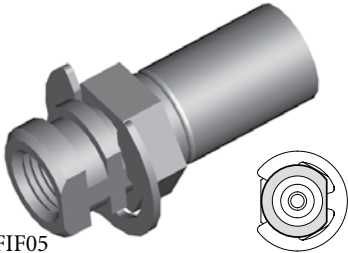
THREAD	SEAT	MOUNT	HEX	OAL	FITS
3/8" x 24NF	Inverted	Clip	17mm	40mm	US

HFIF40



THREAD	SEAT	MOUNT	HEX	OAL	FITS
3/8" x 24NF x 2	Inverted	Clip	16mm	48mm	US

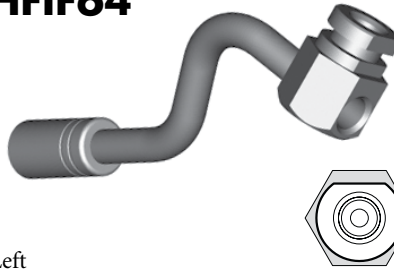
HFIF45



Alt. HFIF05

THREAD	SEAT	MOUNT	HEX	OAL	FITS
3/8" x 24NF	Inverted	Clip	16mm	39mm	US

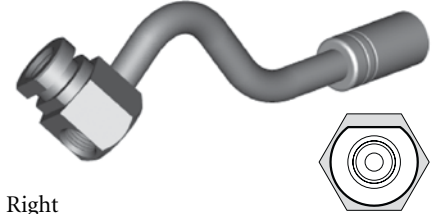
HFIF64



Left

THREAD	SEAT	MOUNT	HEX	OAL	FITS
3/8" x 24NF x 2	Inverted	Clip	19mm	137mm	US

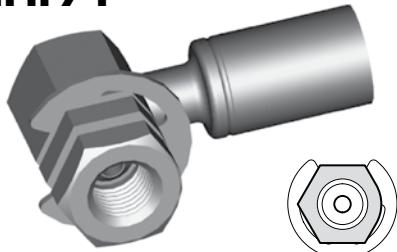
HFIF65



Right

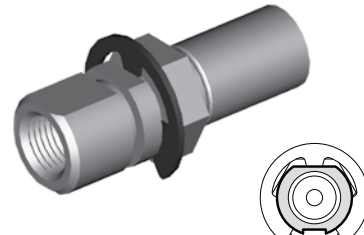
THREAD	SEAT	MOUNT	HEX	OAL	FITS
3/8" x 24NF x 2	Inverted	Clip	19mm	137mm	US

HFIF71



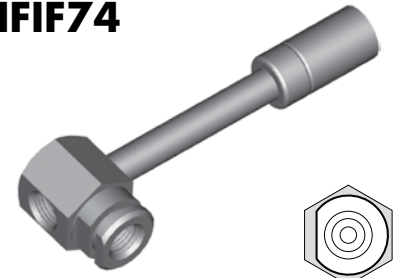
THREAD	SEAT	MOUNT	HEX	OAL	FITS
3/8" x 24NF	Inverted	Clip	16mm	45mm	US

HFIF72



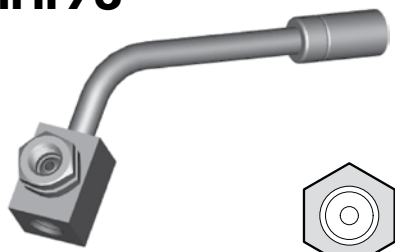
THREAD	SEAT	MOUNT	HEX	OAL	FITS
3/8" x 24NF	Inverted	Clip	17mm	47mm	US

HFIF74



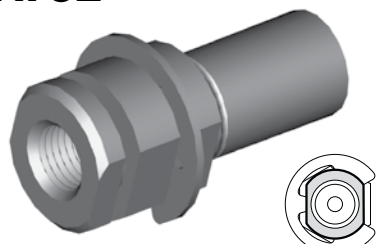
THREAD	SEAT	MOUNT	HEX	OAL	FITS
3/8" x 24NF x 2	Inverted	Clip	19mm	92mm	US

HFIF76



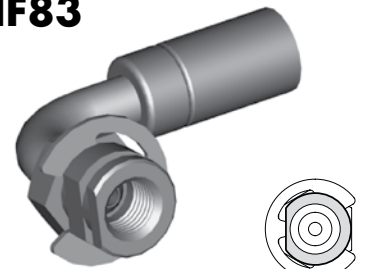
THREAD	SEAT	MOUNT	HEX	OAL	FITS
3/8" x 24NF x 2	Inverted	Clip	16mm	90mm	US

HFIF82



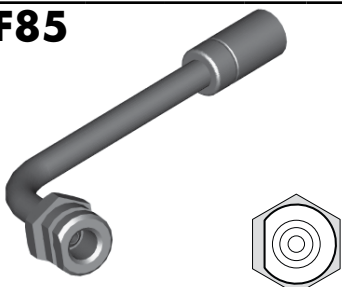
THREAD	SEAT	MOUNT	HEX	OAL	FITS
3/8" x 24NF	Inverted	Clip	16mm	40mm	US

HFIF83



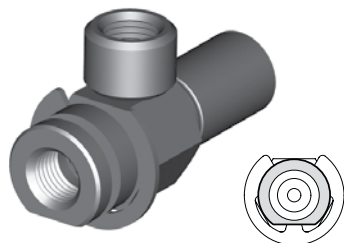
THREAD	SEAT	MOUNT	HEX	OAL	FITS
3/8" x 24NF	Inverted	Clip	16mm	55mm	US

HFIF85



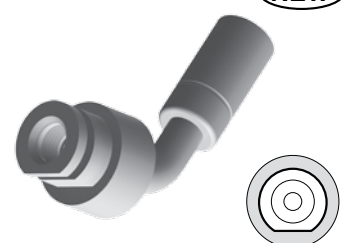
THREAD	SEAT	MOUNT	HEX	OAL	FITS
3/8" x 24NF	Inverted	Clip	17.5mm	-	US

HFIF87



THREAD	SEAT	MOUNT	HEX	OAL	FITS
3/8" x 24NF x 2	Inverted	Clip	17.5mm	50mm	US

HFIF103



THREAD	SEAT	MOUNT	HEX	OAL	FITS
3/8" x 24NF	Inverted	Clip	-	52mm	US


Clip Mount - 3/8" x 24NF

A = Asian EU = European US = United States UNI = Universal V = Various

IMPERIAL FEMALE FITTINGS

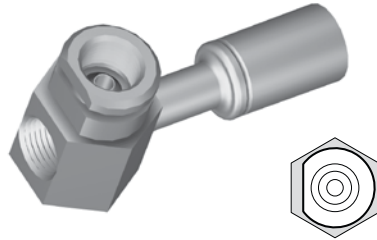
Clip Mount - 3/8" x 24NF

HFIF106 NEW



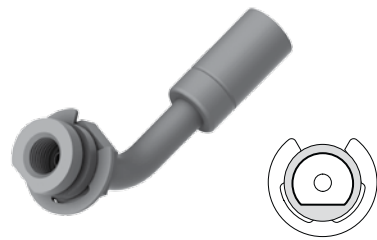
THREAD	SEAT	MOUNT	HEX	OAL	FITS
3/8" x 24NF	Inverted	Clip	16mm	68mm	US

HFIF107



THREAD	SEAT	MOUNT	HEX	OAL	FITS
3/8" x 24NF x 2	Inverted	Clip	19mm	57mm	US

HFIF140 NEW



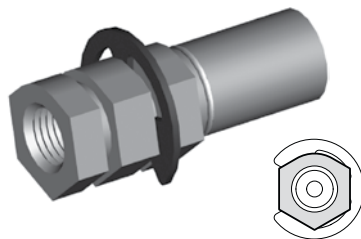
THREAD	SEAT	MOUNT	HEX	OAL	FITS
3/8" x 24NF	Inverted	Clip	17mm	64mm	US

HFIF143 NEW



THREAD	SEAT	MOUNT	HEX	OAL	FITS
3/8" x 24NF	Inverted	Clip	16mm	68mm	US

HFIF301



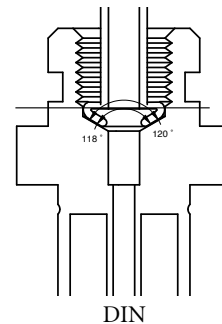
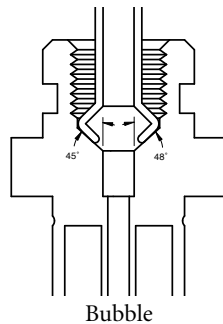
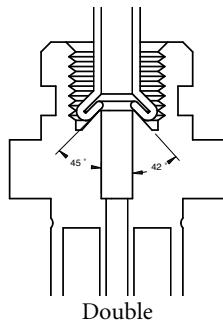
THREAD	SEAT	MOUNT	HEX	OAL	FITS
3/8" x 24NF	Inverted	Clip	16mm	43mm	US

DID YOU KNOW?

There are three different flare types.

1. A 45° double flare – the inverted seat angle is 42°
2. A 45° ISO flare (Bubble) – the female seat angle is 96°
3. A 31° DIN flare (Mushroom) – the female seat angle is 120°

The seat angles vary to the tube angle because it is important to seal the smallest diameter to get an effective seal.



IMPERIAL FEMALE FITTINGS

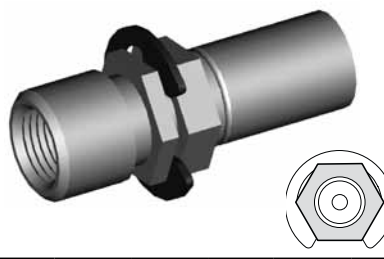
HFIF02



Alt. HFIF24

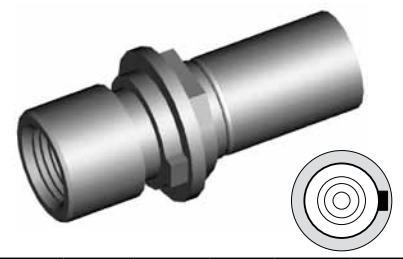
THREAD	SEAT	MOUNT	HEX	OAL	FITS
7/16" x 24NS	Inverted	Clip	19mm	38mm	V

HFIF09



THREAD	SEAT	MOUNT	HEX	OAL	FITS
7/16" x 24NS	Inverted	Clip	16mm	45mm	US

HFIF20



THREAD	SEAT	MOUNT	HEX	OAL	FITS
7/16" x 24NS	Inverted	Clip	16mm	44mm	US

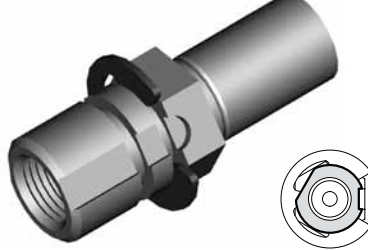
HFIF24



Alt. HFIF02

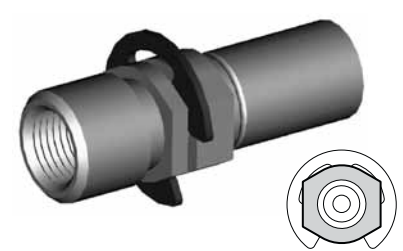
THREAD	SEAT	MOUNT	HEX	OAL	FITS
7/16" x 24NS	Inverted	Clip	16mm	40mm	US

HFIF33



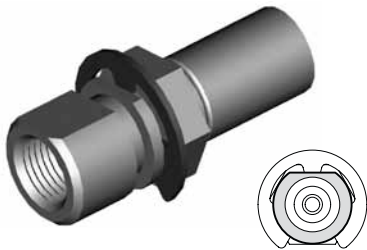
THREAD	SEAT	MOUNT	HEX	OAL	FITS
7/16" x 24NS	Inverted	Clip	17mm	41mm	US

HFIF35



THREAD	SEAT	MOUNT	HEX	OAL	FITS
7/16" x 24NS	Inverted	Clip	16mm	46mm	US

HFIF51



THREAD	SEAT	MOUNT	HEX	OAL	FITS
7/16" x 24NS	Inverted	Clip	17mm	46mm	US

HFIF73



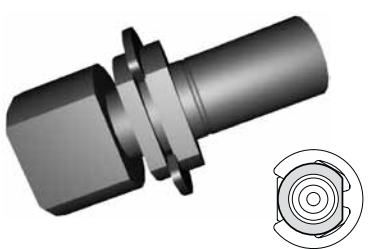
THREAD	SEAT	MOUNT	HEX	OAL	FITS
7/16" x 24NS	Inverted	Clip	17mm	47mm	US

HFIF116



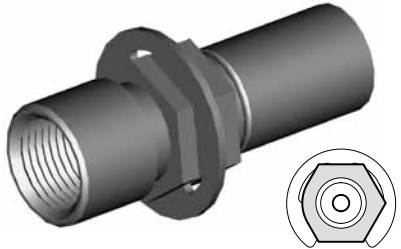
THREAD	SEAT	MOUNT	HEX	OAL	FITS
7/16" x 24NS	Inverted	Clip	5/8"	-	US

HFIF63



THREAD	SEAT	MOUNT	HEX	OAL	FITS
1/2" x 20NF	Inverted	Clip	-	47mm	US

HFIF79



THREAD	SEAT	MOUNT	HEX	OAL	FITS
1/2" x 20NF	Inverted	Clip	16mm	45mm	US

Clip Mount - 7/16" x 24NS

Clip Mount 1/2"

A = Asian

EU = European

US = United States

UNI = Universal

V = Various

IMPERIAL FEMALE FITTINGS

Bolt On Mount

HFIF23

12mm Hole

THREAD	SEAT	MOUNT	HOLE	OAL	FITS
3/8" x 24NF x 2	Inverted	Bolted	12mm	65mm	US

HFIF25

10mm Hole

THREAD	SEAT	MOUNT	HOLE	OAL	FITS
3/8" x 24NF x 2	Inverted	Bolted	10mm	49mm	US

HFIF27

11.8mm Hole

THREAD	SEAT	MOUNT	HOLE	OAL	FITS
3/8" x 24NF x 2	Inverted	Bolted	11.8mm	70mm	US

HFIF28

11.8mm Hole

THREAD	SEAT	MOUNT	HOLE	OAL	FITS
3/8" NF-7/16" NS	Inverted	Bolted	11.8mm	52mm	US

HFIF31

11.9mm Hole

THREAD	SEAT	MOUNT	HOLE	OAL	FITS
3/8" NF-7/16" NS	Inverted	Bolted	11.9mm	52mm	US

HFIF34

8/10mm Hole

THREAD	SEAT	MOUNT	HOLE	OAL	FITS
3/8" x 24NF x 2	Inverted	Bolted	8/10mm	49mm	US

HFIF37

12mm Hole

THREAD	SEAT	MOUNT	HOLE	OAL	FITS
3/8" x 24NF x 2	Inverted	Bolted	12mm	53mm	US

HFIF39

11.8mm Hole

THREAD	SEAT	MOUNT	HOLE	OAL	FITS
3/8" NF-7/16" NS	Inverted	Bolted	11.8mm	52mm	US

HFIF43 NEW

7.3mm Hole

THREAD	SEAT	MOUNT	HOLE	OAL	FITS
3/8" NF x 2	Inverted	Bolted	-	22mm	US

HFIF46

10mm Hole

THREAD	SEAT	MOUNT	HOLE	OAL	FITS
7/16" x 24NS	Inverted	Bolted	10mm	60mm	US

HFIF47

12mm Hole

THREAD	SEAT	MOUNT	HOLE	OAL	FITS
3/8" x 24NF x 2	Inverted	Bolted	12mm	50mm	US

HFIF48

11.5mm Hole

THREAD	SEAT	MOUNT	HOLE	OAL	FITS
3/8" NF-7/16" NS	Inverted	Bolted	11.5mm	53mm	US

HFIF53

11.8mm Hole

THREAD	SEAT	MOUNT	HOLE	OAL	FITS
3/8" x 24NF x 2	Inverted	Bolted	11.8mm	53mm	US

HFIF54

12mm Hole

THREAD	SEAT	MOUNT	HOLE	OAL	FITS
7/16" x 24NS	Inverted	Bolted	12mm	51mm	US

HFIF55

15mm Hole

THREAD	SEAT	MOUNT	HOLE	OAL	FITS
3/8" x 24NF x 2	Inverted	Bolted	15mm	58mm	US

A = Asian

EU = European

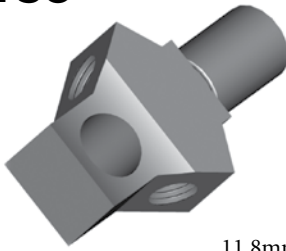
US = United States

UNI = Universal

V = Various

IMPERIAL FEMALE FITTINGS

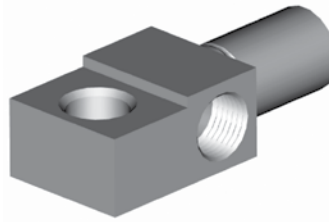
HFIF56



11.8mm Hole

THREAD	SEAT	MOUNT	HOLE	OAL	FITS
3/8" x 24NF x 2	Inverted	Bolted	11.8mm	55mm	US

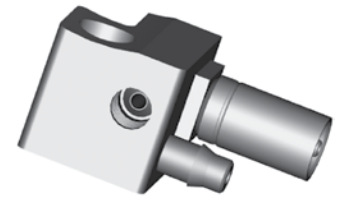
HFIF57



8/10mm Hole

THREAD	SEAT	MOUNT	HOLE	OAL	FITS
7/16" x 24NS x 2	Inverted	Bolted	8/10mm	54mm	US

HFIF58



11.5mm Hole

THREAD	SEAT	MOUNT	HOLE	OAL	FITS
3/8" x 24NF x 2	Inverted	Bolted	11.5mm	50mm	US

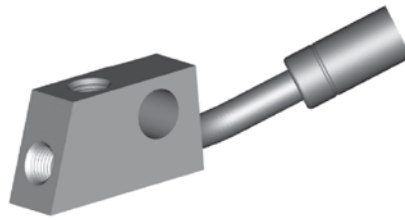
HFIF59



12mm Hole

THREAD	SEAT	MOUNT	HOLE	OAL	FITS
3/8" x 24NF x 2	Inverted	Bolted	12mm	100mm	US

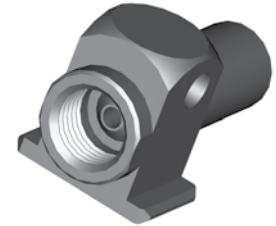
HFIF66



11.9mm Hole

THREAD	SEAT	MOUNT	HOLE	OAL	FITS
3/8" x 24NF x 2	Inverted	Bolted	11.9mm	93mm	US

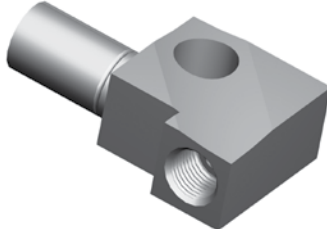
HFIF77



6.2mm Hole

THREAD	SEAT	MOUNT	HOLE	OAL	FITS
1/2" x 20NF	Inverted	Bolted	6.2mm	42mm	US

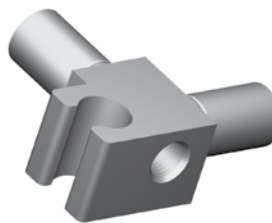
HFIF80



11.8mm Hole

THREAD	SEAT	MOUNT	HOLE	OAL	FITS
3/8" x 24NF x 2	Inverted	Bolted	11.8mm	52mm	US

HFIF88

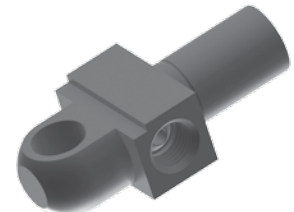


11.6mm Hole

THREAD	SEAT	MOUNT	HOLE	OAL	FITS
3/8" x 24NF	Inverted	Bolted	11.6mm	51mm	US

HFIF94

NEW

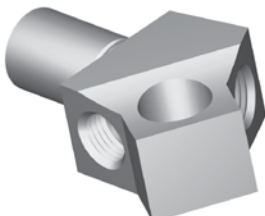


8/10mm Hole

THREAD	SEAT	MOUNT	HOLE	OAL	FITS
3/8" x 2	Inverted	Bolted	10/8mm	58mm	US

Bolt on Mount

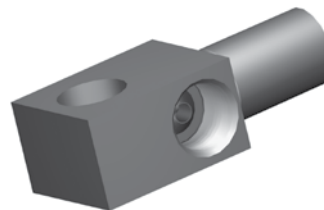
HFIF110



12.0mm Hole

THREAD	SEAT	MOUNT	HOLE	OAL	FITS
3/8" x 24NF x 2	Inverted	Bolted	12mm	-	US

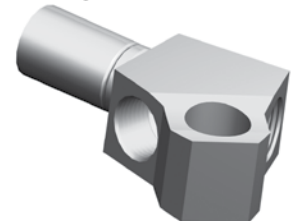
HFIF111



11.9mm Hole

THREAD	SEAT	MOUNT	HOLE	OAL	FITS
7/16" x 24NS - 2	Inverted	Bolt On	11.9mm	51mm	US

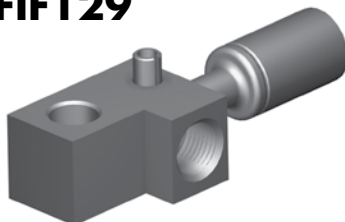
HFIF115



11.9mm Hole

THREAD	SEAT	MOUNT	HOLE	OAL	FITS
7/16" x 24NS x 2	Inverted	Bolted	11.9mm	57mm	US

HFIF129



Suits Nissan Sports
Use in conjunction with HF17 or HF33

8.75mm Hole

THREAD	SEAT	MOUNT	HOLE	OAL	FITS
3/8" x 24NF	Inverted	Bolted	8.75mm	75mm	A

HFIF303



11.4mm Hole

THREAD	SEAT	MOUNT	HOLE	OAL	FITS
3/8"NF-7/16"NS	Inverted	Bolted	11.4mm	70mm	US

A = Asian

EU = European

US = United States

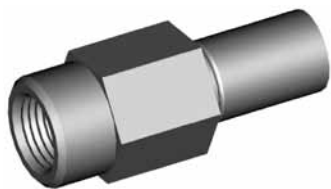
UNI = Universal

V = Various

IMPERIAL FEMALE FITTINGS

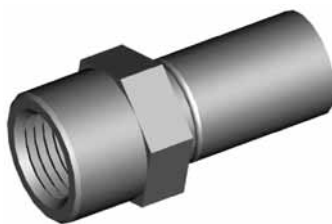
No Mount

HFIF03



THREAD	SEAT	MOUNT	HEX	OAL	FITS
1/2" x 20NF	DPS	-	19mm	50mm	US

HFIF06



THREAD	SEAT	MOUNT	HEX	OAL	FITS
1/2" x 20NF	Inverted	-	17mm	38mm	UNI

HFIFX01



Alt. HFIFX23
5/8" x 18NF External Thread

THREAD	SEAT	MOUNT	HEX	OAL	FITS
7/16" x 24NS	Inverted	Bulkhead	19mm	45mm	V

HFIFX02



5/8" x 18NF External Thread

THREAD	SEAT	MOUNT	HEX	OAL	FITS
3/8" x 24NF	Inverted	Bulkhead	19mm	45mm	V

HFIFX03



5/8" x 18NF External Thread

THREAD	SEAT	MOUNT	HEX	OAL	FITS
3/8"BSF	Inverted	Bulkhead	19mm	45mm	V

Bulkhead Mount

HFIFX04



5/8" x 18NF External Thread

THREAD	SEAT	MOUNT	HEX	OAL	FITS
7/16" x 20NF	Inverted	Bulkhead	19mm	45mm	V

HFIFX05



5/8" x 18NF External Thread

THREAD	SEAT	MOUNT	HEX	OAL	FITS
3/8" x 24NF	DPS	Bulkhead	19mm	45mm	V

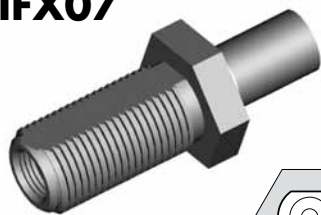
HFIFX06



5/8" x 18NF External Thread

THREAD	SEAT	MOUNT	HEX	OAL	FITS
7/16" x 24NS	Inverted	Bulkhead	16mm	46mm	US

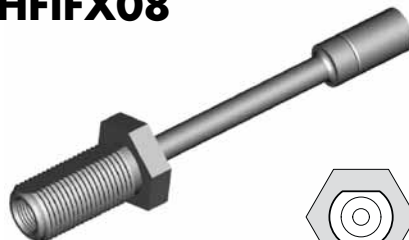
HFIFX07



3/4" x 16NF External Thread

THREAD	SEAT	MOUNT	HEX	OAL	FITS
7/16" x 24NS	Inverted	Bulkhead	25mm	65mm	US

HFIFX08



3/4" x 16NF External Thread

THREAD	SEAT	MOUNT	HEX	OAL	FITS
7/16" x 24NS	Inverted	Bulkhead	25mm	135mm	US

HFIFX09



11/16 x 18NS External Thread

THREAD	SEAT	MOUNT	HEX	OAL	FITS
1/2" x 20NF	Inverted	Bulkhead	22mm	46mm	US

HFIFX10



5/8" x 18NF External Thread

THREAD	SEAT	MOUNT	HEX	OAL	FITS
3/8" x 24NF	Inverted	Bulkhead	22mm	117mm	US

HFIFX11



5/8" x 18NF External Thread

THREAD	SEAT	MOUNT	HEX	OAL	FITS
3/8" x 24NF	Inverted	Bulkhead	19mm	48mm	US

HFIFX12



5/8" x 18NF External Thread

THREAD	SEAT	MOUNT	HEX	OAL	FITS
7/16" x 24NS	Inverted	Bulkhead	22mm	54mm	US

A = Asian

EU = European

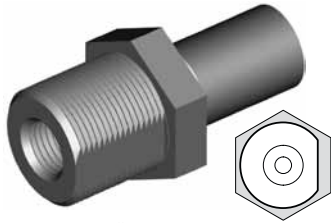
US = United States

UNI = Universal

V = Various

IMPERIAL FEMALE FITTINGS

HFIFX14



3/4" x 16NF External Thread

THREAD	SEAT	MOUNT	HEX	OAL	FITS
3/8" x 24NF	Inverted	Bulkhead	22mm	45mm	US

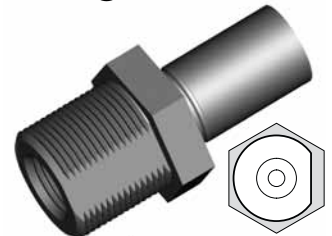
HFIFX15



5/8" x 18NF External Thread

THREAD	SEAT	MOUNT	HEX	OAL	FITS
3/8" x 24NF	Inverted	Bulkhead	16mm	47mm	US

HFIFX16



3/4" x 16NF External Thread

THREAD	SEAT	MOUNT	HEX	OAL	FITS
7/16" x 24NS	Inverted	Bulkhead	22mm	45mm	US

HFIFX17



7/8" x 14NF External Thread

THREAD	SEAT	MOUNT	HEX	OAL	FITS
1/2" x 20NF	Inverted	Bulkhead	27mm	65mm	US

HFIFX18



7/8" x 14NF External Thread

THREAD	SEAT	MOUNT	HEX	OAL	FITS
1/2" x 20NF	Inverted	Bulkhead	27mm	135mm	US

HFIFX20

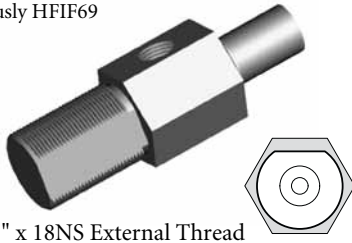


5/8" x 18NF External Thread

THREAD	SEAT	MOUNT	HEX	OAL	FITS
1/8"NPT	-	Bulkhead	19mm	45mm	US

HFIFX21

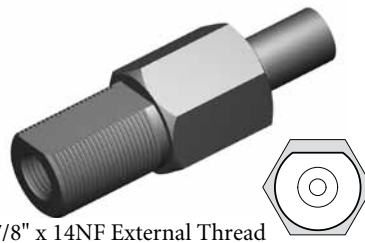
Previously HFIF69



7/8" x 18NS External Thread

THREAD	SEAT	MOUNT	HEX	OAL	FITS
7/16" x 24NS x 2	Inverted	Bulkhead	25mm	80mm	US

HFIFX22



7/8" x 14NF External Thread

THREAD	SEAT	MOUNT	HEX	OAL	FITS
7/16" x 24NS	Inverted	Bulkhead	1"	80mm	US

HFIFX23

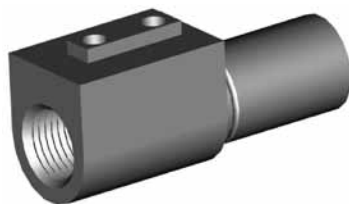


Alt. HFIFX01

5/8" x 18NF External Thread

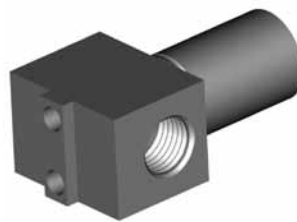
THREAD	SEAT	MOUNT	HEX	OAL	FITS
7/16" x 24NS	Inverted	Bulkhead	5/8"	46mm	V

HFIF15



THREAD	SEAT	MOUNT	HEX	OAL	FITS
3/8" x 24NF	Inverted	Bracket	-	46mm	US

HFIF22



THREAD	SEAT	MOUNT	HEX	OAL	FITS
3/8" x 24NF x 2	Inverted	Bracket	-	41mm	US

HFIF41



Right

THREAD	SEAT	MOUNT	HEX	OAL	FITS
3/8" x 24NF	Inverted	Bracket	-	50mm	US

HFIF42



Left

THREAD	SEAT	MOUNT	HEX	OAL	FITS
3/8" x 24NF	Inverted	Bracket	-	50mm	US

HFIF44



THREAD	SEAT	MOUNT	HEX	OAL	FITS
3/8" x 24NF x 2	Inverted	Bracket	-	50mm	US

HFIF52



THREAD	SEAT	MOUNT	HEX	OAL	FITS
7/16" x 24NS	Inverted	Bracket	-	46mm	US

Bulkhead Mount

Bracket Mount

A = Asian

EU = European

US = United States

UNI = Universal

V = Various

IMPERIAL FEMALE FITTINGS

Bracket Mount

HFIF60

THREAD	SEAT	MOUNT	HEX	OAL	FITS
3/8" x 24NF x 2	Inverted	Bracket	-	102mm	US

HFIF60A

THREAD	SEAT	MOUNT	HEX	OAL	FITS
3/8" x 24NF - 2	Inverted	Bracket	-	42mm	US

HFIF70

THREAD	SEAT	MOUNT	HEX	OAL	FITS
3/8" x 24NF x 2	Inverted	Bracket	-	48mm	US

HFIF81

THREAD	SEAT	MOUNT	HEX	OAL	FITS
3/8" x 24NF	Inverted	Bracket	-	38mm	US

HFIF90

THREAD	SEAT	MOUNT	HEX	OAL	FITS
3/8" x 24NF x 2	Inverted	Bracket	-	37mm	US

HFIF99

NEW

THREAD	SEAT	MOUNT	HEX	OAL	FITS
3/8"NF x 2	Inverted	Bracket	-	56mm	US

HFIF109

THREAD	SEAT	MOUNT	HEX	OAL	FITS
7/16" x 24NS x 2	Inverted	Bracket	-	46mm	US

HFIF127

Left

THREAD	SEAT	MOUNT	HEX	OAL	FITS
3/8" x 24NF	Inverted	Bracket	-	-	US

HFIF128

Right

THREAD	SEAT	MOUNT	HEX	OAL	FITS
3/8" x 24NF	Inverted	Bracket	-	-	US

HFIF138

NEW

THREAD	SEAT	MOUNT	HEX	OAL	FITS
7/16" x 24NS x 2	Inverted	Bracket	-	53mm	US

HFIF304

THREAD	SEAT	MOUNT	HEX	OAL	FITS
3/8" x 24NF x 2	Inverted	Bracket	-	51mm	US

HFIF306

THREAD	SEAT	MOUNT	HEX	OAL	FITS
3/8" x 24NF	Inverted	Bracket	-	58mm	US

BQ71

Bracket Retaining Screws
(PKT 50)

This thread forming screw is required to secure bracket to bracket mount fittings.

CAUTION

Illustrations shown in this reference guide may vary slightly in detail from actual parts due to manufacturer's tolerances and design differences. Note: Illustrations not to scale.

DISCLAIMER NOTICE

The illustrations and data contained in this illustrated reference guide are intended as an aid in identifying the various products and have been obtained and developed from the specifications and information available. Although BrakeQuip believes that such illustrations and data are correct, errors may exist and further verification on the part of the user may be necessary.

A = Asian

EU = European

US = United States

UNI = Universal

V = Various

IMPERIAL MALE FITTINGS

HFIM01



THREAD	THREAD LENGTH	HEX	OAL	FITS
3/8" x 24NF	12.5mm	16mm	40mm	V

HFIM01B



Brass

THREAD	THREAD LENGTH	HEX	OAL	FITS
3/8" x 24NF	12.5mm	14mm	40mm	V

HFIM03



THREAD	THREAD LENGTH	HEX	OAL	FITS
7/16" x 20NF	12mm	16mm	40mm	V

HFIM04



Includes
Copper Sealing Washer

THREAD	THREAD LENGTH	HEX	OAL	FITS
11/16" x 16NF	20mm	19mm	50mm	V

HFIM08



THREAD	THREAD LENGTH	HEX	OAL	FITS
1/2" x 20NF	15.5mm	17mm	43mm	V

HFIM09



THREAD	THREAD LENGTH	HEX	OAL	FITS
7/16" x 20NF	13.5mm	16mm	69mm	US

HFIM10



THREAD	THREAD LENGTH	HEX	OAL	FITS
3/8" x 24NF	12.5mm	16mm	44mm	V

HFIM11



THREAD	THREAD LENGTH	HEX	OAL	FITS
3/8" x 24NF	13mm	16mm	68mm	V

HFIM13



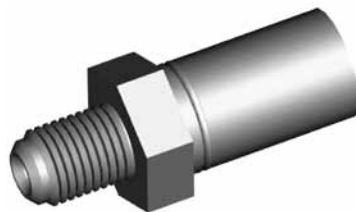
THREAD	THREAD LENGTH	HEX	OAL	FITS
7/16" x 24NS	12mm	16mm	40mm	V

HFIM14



THREAD	THREAD LENGTH	HEX	OAL	FITS
7/16" x 24NS	12mm	16mm	78mm	US

HFIM15



THREAD	THREAD LENGTH	HEX	OAL	FITS
3/8" x 20BSF	12.5mm	16mm	40mm	EU

HFIM16



THREAD	THREAD LENGTH	HEX	OAL	FITS
7/16" x 20NF	13mm	17mm	61mm	US

HFIM18



THREAD	THREAD LENGTH	HEX	OAL	FITS
3/8" x 24NF	12mm	16mm	53mm	US

HFIM19



THREAD	THREAD LENGTH	HEX	OAL	FITS
1/8" x 27NPT	12mm	14mm	40mm	V

HFIM21



THREAD	THREAD LENGTH	HEX	OAL	FITS
3/8" x 24NF	12.5mm	16mm	53mm	V

Standard Mount

A = Asian

EU = European

US = United States

UNI = Universal

V = Various

IMPERIAL MALE FITTINGS

Standard Mount

HFIM24



THREAD	THREAD LENGTH	HEX	OAL	FITS
1/2" x 20NF	12mm	16mm	44mm	US

HFIM25



THREAD	THREAD LENGTH	HEX	OAL	FITS
3/8" x 24NF	12mm	16mm	71mm	US

HFIM26



THREAD	THREAD LENGTH	HEX	OAL	FITS
7/16" x 24NS	13.5mm	16mm	78mm	US

HFIM27



THREAD	THREAD LENGTH	HEX	OAL	FITS
7/16" x 20NF	13mm	16mm	63mm	US

HFIM32



Designed for bonded washer

THREAD	THREAD LENGTH	HEX	OAL	FITS
1/8" x 28BSPP	10mm	14mm	37mm	V

AN Joiner

HFIM28



No. 3 JIC

THREAD	THREAD LENGTH	HEX	OAL	FITS
3/8" x 24NF	14mm	14mm	42mm	V

HFIM29



No. 4 JIC

THREAD	THREAD LENGTH	HEX	OAL	FITS
7/16" x 20NF	14mm	14mm	43mm	V

Bulkhead Mount

HFIM02



THREAD	THREAD LENGTH	HEX	OAL	FITS
3/8" x 24NF	24mm	16mm	52mm	V

HFIM05



THREAD	THREAD LENGTH	HEX	OAL	FITS
3/8"NF-1/2"NF	26.5mm	16mm	55mm	EU

HFIM06



THREAD	THREAD LENGTH	HEX	OAL	FITS
7/16" x 20NF	28.5mm	17mm	56mm	V

HFIM07



THREAD	THREAD LENGTH	HEX	OAL	FITS
1/2" x 20NF	32mm	19mm	60mm	V

HFIM12



THREAD	THREAD LENGTH	HEX	OAL	FITS
3/8" x 24NF	24mm	16mm	75mm	EU

A = Asian

EU = European

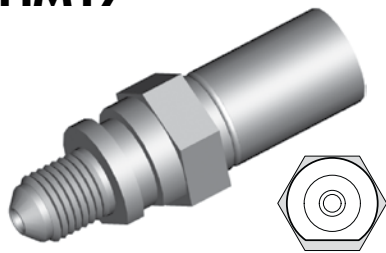
US = United States

UNI = Universal

V = Various

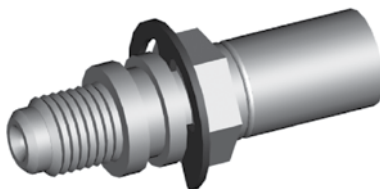
IMPERIAL MALE FITTINGS

HFIM17



THREAD	THREAD LENGTH	HEX	OAL	FITS
3/8" x 24NF	12mm	16mm	49mm	US

HFIM22



THREAD	THREAD LENGTH	HEX	OAL	FITS
7/16" x 20NF	13mm	16mm	51mm	US

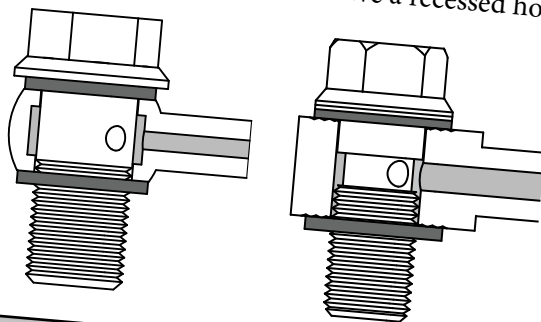
Clip Mount

DID YOU KNOW?

It is impossible to stock every fitting. That is why BrakeQuip supplies lifesavers to fill in the gaps. Currently BrakeQuip offers five different lifesavers to suit different fitting situations. This makes it easy and efficient for you to reuse the original fitting. The HF01 & HF26 are virtually the same and are designed for most standard fittings. However these have a tubing countersunk in them so that you can easily braze tube directly to them to make up custom fittings. The HF27 is designed to suit all the fittings that have a 5/16" (8mm) tube attached to it. The HF120 is designed to reuse all banjo fittings that have 7mm shank such as the HFB09. The HF05 is designed to reuse all center support fittings.

DID YOU KNOW?

It is important to match a banjo bolt to the correct banjo fitting. If the banjo fitting hole is "scalloped" out then it doesn't matter if the banjo bolt has a groove at the inlet port. The fluid flow can be restricted if you use a banjo bolt that does not have a relief at the outlet port into a banjo fitting that does not have a recessed hole.



A = Asian

EU = European

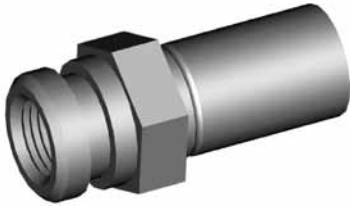
US = United States

UNI = Universal

V = Various

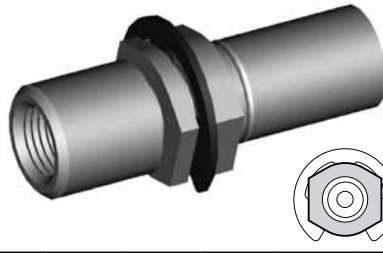
METRIC FEMALE FITTINGS

HFMF01



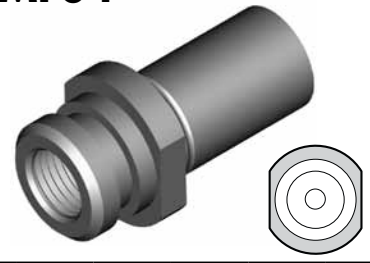
THREAD	SEAT	MOUNT	HEX	OAL	FITS
M10 x 1	Inverted	Clip	17mm	38mm	V

HFMF02



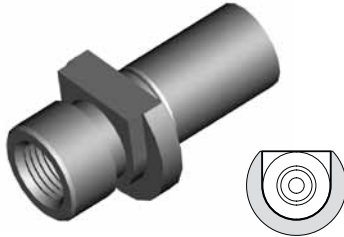
THREAD	SEAT	MOUNT	HEX	OAL	FITS
M10 x 1	Inverted	Clip	17mm	47mm	A

HFMF04



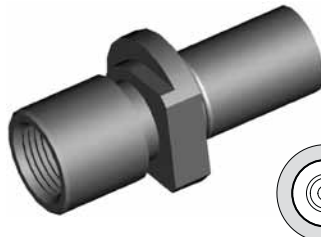
THREAD	SEAT	MOUNT	HEX	OAL	FITS
M10 x 1	Inverted	Clip	17mm	38mm	A

HFMF06



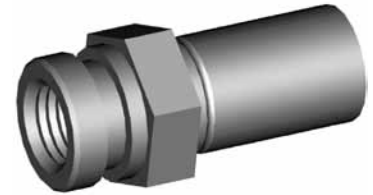
THREAD	SEAT	MOUNT	HEX	OAL	FITS
M10 x 1	Inverted	Clip	-	39mm	A

HFMF07



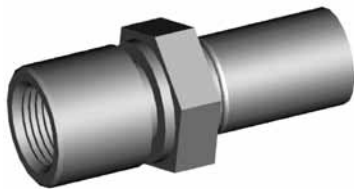
THREAD	SEAT	MOUNT	HEX	OAL	FITS
M12 x 1	Inverted	Clip	-	45mm	A

HFMF09



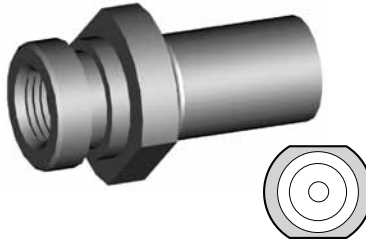
THREAD	SEAT	MOUNT	HEX	OAL	FITS
M10x1.25	Inverted	Clip	17mm	37mm	V

HFMF10



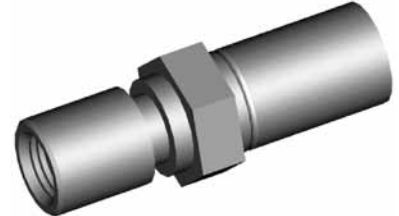
THREAD	SEAT	MOUNT	HEX	OAL	FITS
M12 x 1	Inverted	Clip	19mm	46mm	A

HFMF11



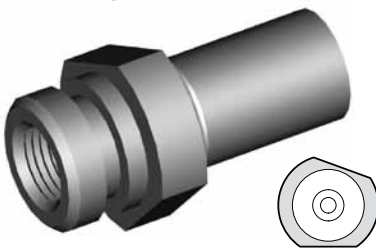
THREAD	SEAT	MOUNT	HEX	OAL	FITS
M10 x 1	Inverted	Clip	19mm	37mm	A

HFMF12



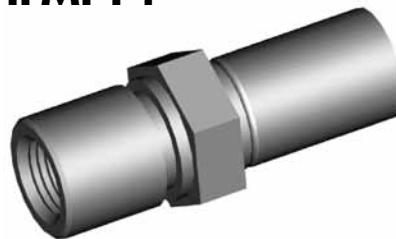
THREAD	SEAT	MOUNT	HEX	OAL	FITS
M9 x 1	Inverted	Clip	16mm	47mm	A

HFMF13



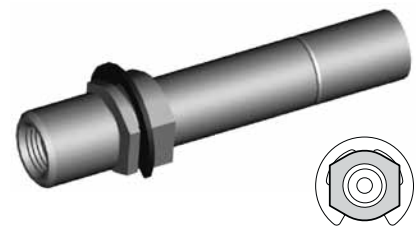
THREAD	SEAT	MOUNT	HEX	OAL	FITS
M10 x 1	Inverted	Clip	-	38mm	A

HFMF14



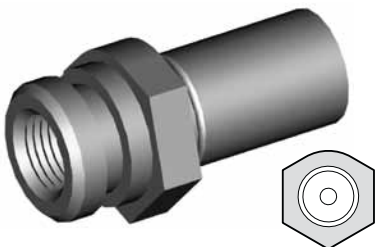
THREAD	SEAT	MOUNT	HEX	OAL	FITS
M10 x 1	Inverted	Clip	17mm	45mm	A

HFMF15



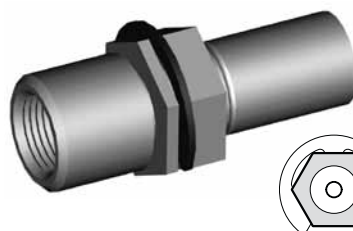
THREAD	SEAT	MOUNT	HEX	OAL	FITS
M10 x 1	Inverted	Clip	17mm	77mm	A

HFMF16



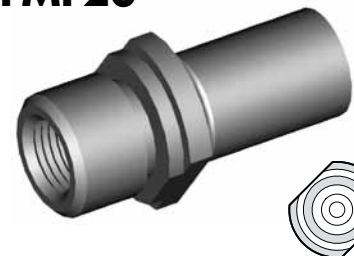
THREAD	SEAT	MOUNT	HEX	OAL	FITS
M10 x 1	Inverted	Clip	19mm	37mm	V

HFMF19



THREAD	SEAT	MOUNT	HEX	OAL	FITS
M12 x 1	Inverted	Clip	19mm	47mm	A

HFMF20



THREAD	SEAT	MOUNT	HEX	OAL	FITS
M10 x 1	Inverted	Clip	17mm	38mm	A

Clip Mount - Inverted Seat

A = Asian

EU = European

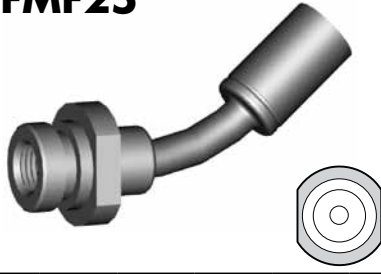
US = United States

UNI = Universal

V = Various

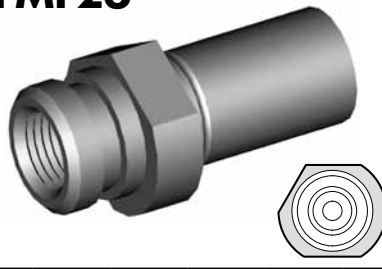
METRIC FEMALE FITTINGS

HFMF25



THREAD	SEAT	MOUNT	HEX	OAL	FITS
M10 x 1	Inverted	Clip	19mm	70mm	A

HFMF26



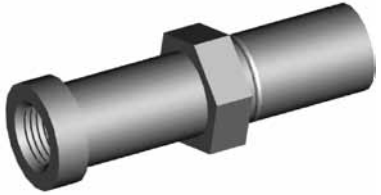
THREAD	SEAT	MOUNT	HEX	OAL	FITS
M10 x 1	Inverted	Clip	17mm	38mm	A

HFMF28



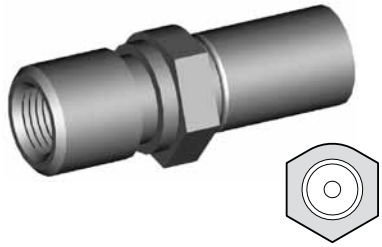
THREAD	SEAT	MOUNT	HEX	OAL	FITS
M10 x 1	Inverted	Clip	17mm	37mm	V

HFMF29



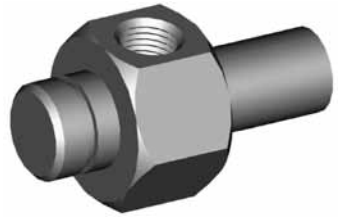
THREAD	SEAT	MOUNT	HEX	OAL	FITS
M10 x 1	Inverted	-	17mm	54mm	A

HFMF31



THREAD	SEAT	MOUNT	HEX	OAL	FITS
M10 x 1	Inverted	Clip	17mm	45mm	V

HFMF36



THREAD	SEAT	MOUNT	HEX	OAL	FITS
M10x1-(2)	Inverted	Clip	26mm	50mm	A

HFMF37



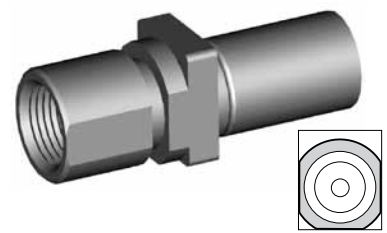
THREAD	SEAT	MOUNT	HEX	OAL	FITS
M10x1-(2)	Inverted	Clip	26mm	50mm	A

HFMF42



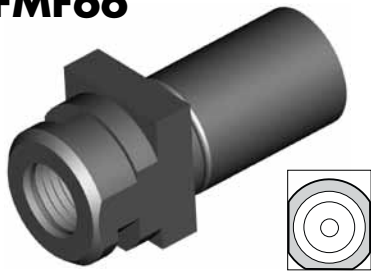
THREAD	SEAT	MOUNT	HEX	OAL	FITS
M12 x 1-(2)	Inverted	Clip	-	57mm	US

HFMF43



THREAD	SEAT	MOUNT	HEX	OAL	FITS
M12 x 1	Inverted	Clip	-	45mm	US

HFMF66



THREAD	SEAT	MOUNT	HEX	OAL	FITS
M10 x 1	Inverted	Clip	-	36mm	US

HFMF68



THREAD	SEAT	MOUNT	HEX	OAL	FITS
M10 x 1	Inverted	Clip	16mm	37mm	US

HFMF91



THREAD	SEAT	MOUNT	HEX	OAL	FITS
M12 x 1	Inverted	Clip	19mm	40mm	EU

HFMF92



THREAD	SEAT	MOUNT	HEX	OAL	FITS
M12 x 1	Inverted	Clip	16mm	45mm	US

HFMF93



THREAD	SEAT	MOUNT	HEX	OAL	FITS
M10 x 1	Inverted	Clip	17mm	47mm	EU

HFMF307



THREAD	SEAT	MOUNT	HEX	OAL	FITS
M10 x 1	Inverted	Clip	17mm	46mm	A

Clip Mount - Inverted Seat

A = Asian

EU = European

US = United States

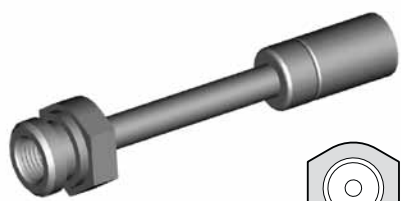
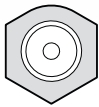
UNI = Universal

V = Various

METRIC FEMALE FITTINGS

Clip Mount - Inverted Seat

HFMF308

THREAD	SEAT	MOUNT	HEX	OAL	FITS
M10 x 1	Inverted	Clip	19mm	89mm	A

HFMF326

NEW



THREAD	SEAT	MOUNT	HEX	OAL	FITS
M10 x 1	Inverted	Clip	-	34mm	A

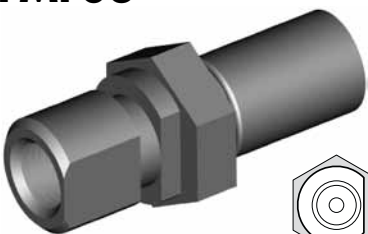
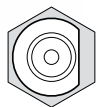
HFMF333




THREAD	SEAT	MOUNT	HEX	OAL	FITS
M10 x 1	Inverted	Clip	17mm	41mm	A


Clip Mount - DPS Seat

HFMF03

THREAD	SEAT	MOUNT	HEX	OAL	FITS
M10 x 1	DPS	Clip	19mm	46mm	A

HFMF05




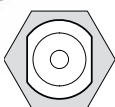
THREAD	SEAT	MOUNT	HEX	OAL	FITS
M10 x 1	DPS	Clip	14mm	38mm	EU

HFMF08




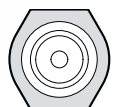
THREAD	SEAT	MOUNT	HEX	OAL	FITS
M10 x 1	DPS	Clip	17mm	41mm	V

HFMF21

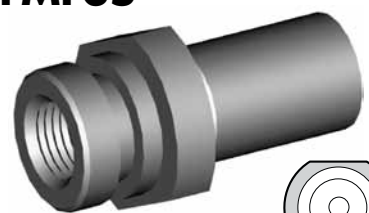
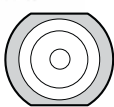
THREAD	SEAT	MOUNT	HEX	OAL	FITS
M10x1.25	DPS	Clip	17mm	47mm	EU

HFMF24


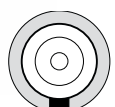
THREAD	SEAT	MOUNT	HEX	OAL	FITS
M10 x 1	DPS	Clip	19mm	38mm	V

HFMF35

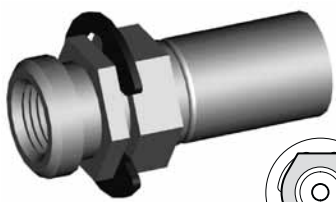

THREAD	SEAT	MOUNT	HEX	OAL	FITS
M10 x 1	DPS	Clip	19mm	37mm	A

HFMF38


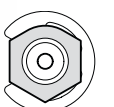
THREAD	SEAT	MOUNT	HEX	OAL	FITS
M10 x 1	DPS	Clip	16mm	37mm	US

HFMF39

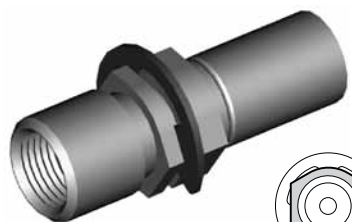
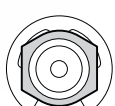
THREAD	SEAT	MOUNT	HEX	OAL	FITS
M10 x 1	DPS	Clip	16mm	39mm	US

HFMF47


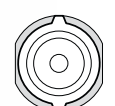
THREAD	SEAT	MOUNT	HEX	OAL	FITS
M12x1	DPS	Clip	16mm	46mm	US

HFMF51

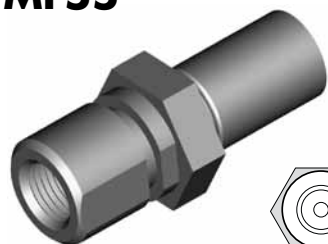
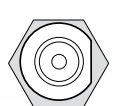
THREAD	SEAT	MOUNT	HEX	OAL	FITS
M12 x 1	DPS	Clip	16mm	47mm	US

HFMF54

THREAD	SEAT	MOUNT	HEX	OAL	FITS
M10 x 1	DPS	Clip	15.5mm	37mm	EU

HFMF55

THREAD	SEAT	MOUNT	HEX	OAL	FITS
M10 x 1	DPS	Clip	19mm	46mm	V

A = Asian

EU = European

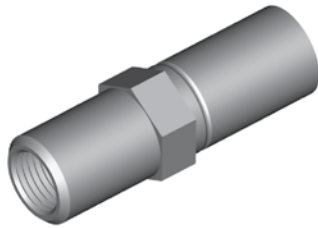
US = United States

UNI = Universal

V = Various

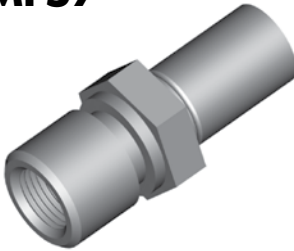
METRIC FEMALE FITTINGS

HFMF56



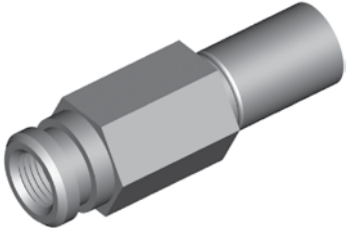
THREAD	SEAT	MOUNT	HEX	OAL	FITS
M10x1.25	DPS	Clip	14mm	45mm	EU

HFMF57



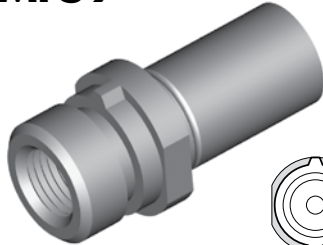
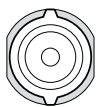
THREAD	SEAT	MOUNT	HEX	OAL	FITS
M12x1.25	DPS	Clip	19mm	46mm	EU

HFMF58



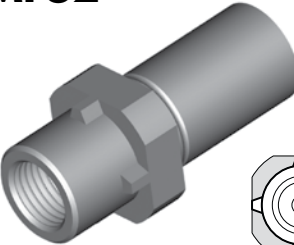
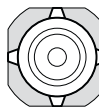
THREAD	SEAT	MOUNT	HEX	OAL	FITS
M10 x 1	DPS	Clip	17mm	54mm	V

HFMF59

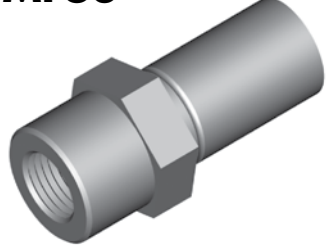
THREAD	SEAT	MOUNT	HEX	OAL	FITS
M10 x 1	DPS	Clip	17mm	38mm	EU

HFMF62

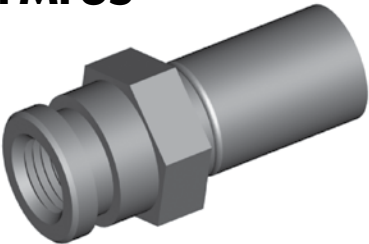
THREAD	SEAT	MOUNT	HEX	OAL	FITS
M10 x 1	DPS	Clip	17mm	39mm	EU

HFMF63




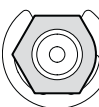
THREAD	SEAT	MOUNT	HEX	OAL	FITS
M10 x 1	DPS	Clip	17mm	39mm	EU

HFMF65



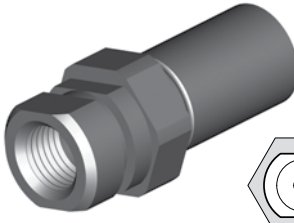
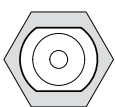
THREAD	SEAT	MOUNT	HEX	OAL	FITS
M10 x 1	DPS	Clip	17mm	39mm	A

HFMF67

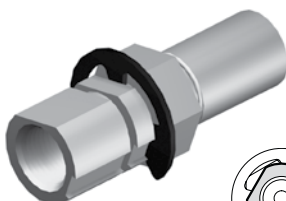

THREAD	SEAT	MOUNT	HEX	OAL	FITS
M10 x 1	DPS	Clip	16mm	46mm	US

HFMF71


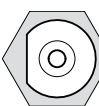
THREAD	SEAT	MOUNT	HEX	OAL	FITS
M10 x 1	DPS	Clip	17mm	39mm	EU

HFMF73


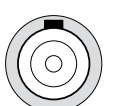
THREAD	SEAT	MOUNT	HEX	OAL	FITS
M10 x 1	DPS	Clip	17mm	-	US

HFMF74

THREAD	SEAT	MOUNT	HEX	OAL	FITS
M10 x 1	DPS	Clip	17mm	-	US

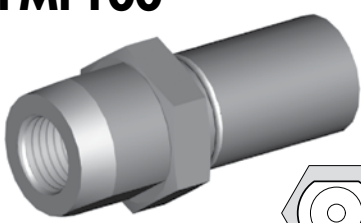
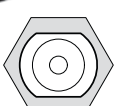
HFMF96

NEW

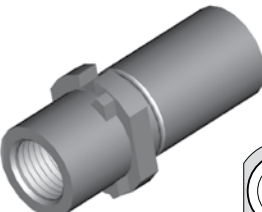
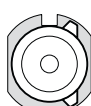
THREAD	SEAT	MOUNT	HEX	OAL	FITS
M10 x 1	DPS	Clip	5/8"	38mm	EU

HFMF100

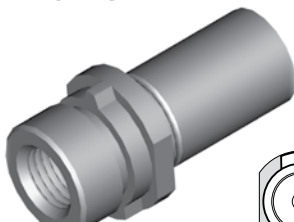
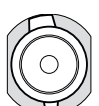
THREAD	SEAT	MOUNT	HEX	OAL	FITS
M10 x 1	DPS	Clip	17mm	39mm	EU

HFMF305

THREAD	SEAT	MOUNT	HEX	OAL	FITS
M10 x 1	DPS	Clip	15mm	37mm	EU

HFMF315

THREAD	SEAT	MOUNT	HEX	OAL	FITS
M10 x 1	DPS	Clip	17mm	36mm	A

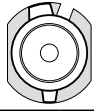
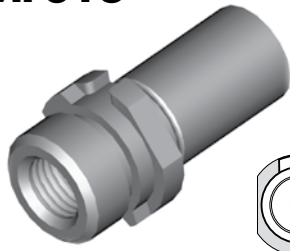
Clip Mount - DPS Seat

A = Asian EU = European US = United States UNI = Universal V = Various

METRIC FEMALE FITTINGS

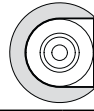
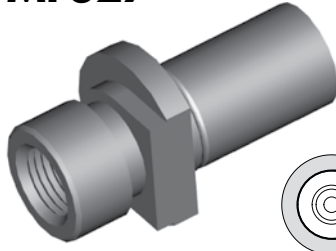
Clip - DPS Seat

HFMF316



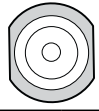
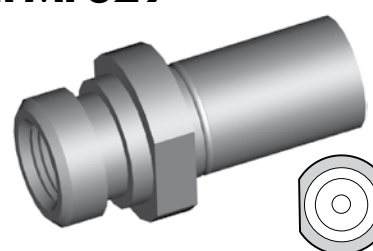
THREAD	SEAT	MOUNT	HEX	OAL	FITS
M10 x 1	DPS	Clip	17mm	36mm	A

HFMF327



THREAD	SEAT	MOUNT	HEX	OAL	FITS
M10 x 1	DPS	Clip	-	39mm	A

HFMF329



THREAD	SEAT	MOUNT	HEX	OAL	FITS
M10 x 1	DPS	Clip	17mm	38mm	A

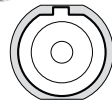
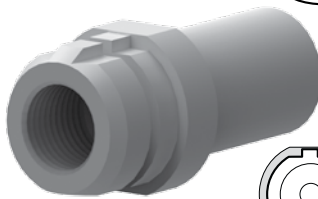
HFMF340



THREAD	SEAT	MOUNT	HEX	OAL	FITS
M10 x 1	DPS	Clip	15mm	37mm	EU

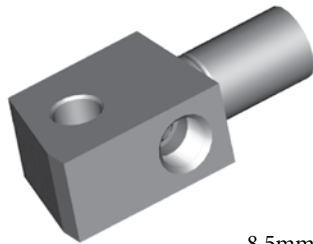
HFMF363

NEW



THREAD	SEAT	MOUNT	HEX	OAL	FITS
M10 x 1	DPS	Clip	-	38mm	EU

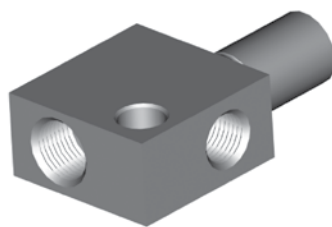
HFMF18



8.5mm Hole

THREAD	SEAT	MOUNT	HOLE	OAL	FITS
M10x1-(2)	Inverted	Bolted	8.5mm	55mm	A

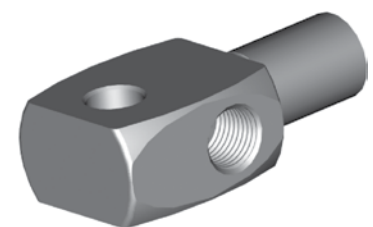
HFMF30



8.5mm Hole

THREAD	SEAT	MOUNT	HOLE	OAL	FITS
M12x1-10x1	Inverted	Bolted	8.5mm	54mm	A

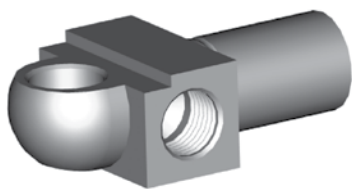
HFMF48



8.75mm Hole

THREAD	SEAT	MOUNT	HOLE	OAL	FITS
M10 x 1	Inverted	Bolted	8.75mm	53mm	A

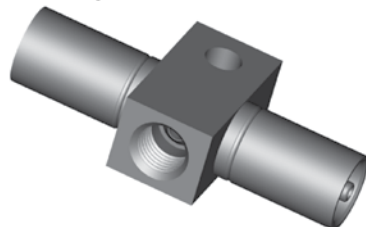
HFMF50



8/10mm Hole

THREAD	SEAT	MOUNT	HOLE	OAL	FITS
M10x1-(2)	DPS	Bolted	8/10mm	48mm	US

HFMF69

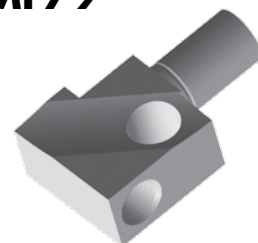


6.4mm Hole

THREAD	SEAT	MOUNT	HOLE	OAL	FITS
M10 x 1	Inverted	Bolted	6.4mm	62mm	A

HFMF79

NEW

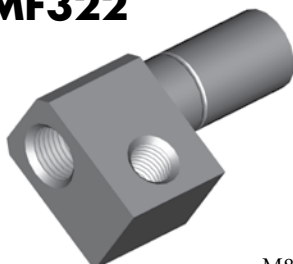


11.9mm Hole

THREAD	SEAT	MOUNT	HOLE	OAL	FITS
M11 x 1.5 (2)	Inverted	Bolted	-	56mm	US

Bolt On Mount

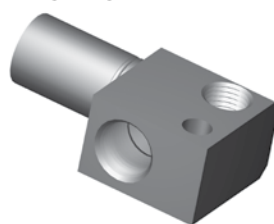
HFMF322



M8 x 1.25

THREAD	SEAT	MOUNT	HOLE	OAL	FITS
M10 x 1	Inverted	Bolted	M8 x 1.25	42mm	A

HFMF328



M8 x 1.25

THREAD	SEAT	MOUNT	HOLE	OAL	FITS
M10 x 1	DPS	Bolted	M8 x 1.25	46mm	A

A = Asian

EU = European

US = United States

UNI = Universal

V = Various

METRIC FEMALE FITTINGS

HFMFX01



5/8" x 18NF External Thread

THREAD	SEAT	MOUNT	HEX	OAL	FITS
M10 x 1	Inverted	Bulkhead	19mm	45mm	V

HFMFX02



5/8" x 18NF External Thread

THREAD	SEAT	MOUNT	HEX	OAL	FITS
M10x1.25	Inverted	Bulkhead	19mm	45mm	V

HFMFX04

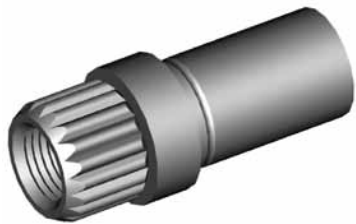


5/8" x 18NF External Thread

THREAD	SEAT	MOUNT	HEX	OAL	FITS
M10 x 1	DPS	Bulkhead	19mm	45mm	V

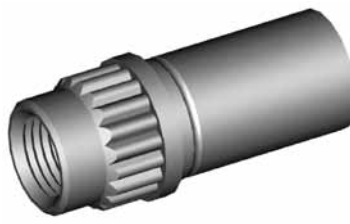
Bulkhead Mount

HFMF22



THREAD	SEAT	MOUNT	HEX	OAL	FITS
M10 x 1	DPS	Spline	-	39mm	EU

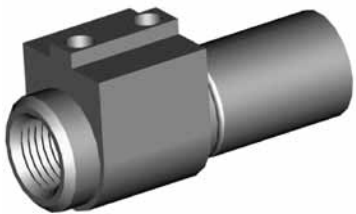
HFMF27



THREAD	SEAT	MOUNT	HEX	OAL	FITS
M10 x 1	DPS	Spline	-	36mm	EU

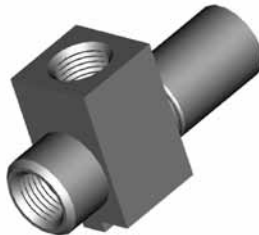
Spline Mount

HFMF40



THREAD	SEAT	MOUNT	HEX	OAL	FITS
M10 x 1	DPS	Bracket	-	42mm	US

HFMF41



THREAD	SEAT	MOUNT	HEX	OAL	FITS
M10x1-(2)	DPS	Bracket	-	44mm	US

HFMF70



THREAD	SEAT	MOUNT	HEX	OAL	FITS
M10x1-(2)	DPS	Bracket	-	54mm	US

HFMF90



THREAD	SEAT	MOUNT	HEX	OAL	FITS
M10 x 1	DPS	Bracket	-	48mm	US

HFMF311



THREAD	SEAT	MOUNT	HEX	OAL	FITS
M12 x 1	DPS	Bracket	-	55mm	US

HFMF312



THREAD	SEAT	MOUNT	HEX	OAL	FITS
M10 x 1	DPS	Bracket	-	55mm	US

Bracket Mount

HFMF313



THREAD	SEAT	MOUNT	HEX	OAL	FITS
M12 x 1	DPS	Bracket	-	48mm	US

HFMF317



THREAD	SEAT	MOUNT	HEX	OAL	FITS
M10 x 1	Inverted	Bracket	-	48mm	A

HFMF318



THREAD	SEAT	MOUNT	HEX	OAL	FITS
M10 x 1	Inverted	Bracket	-	115mm	A

A = Asian

EU = European

US = United States

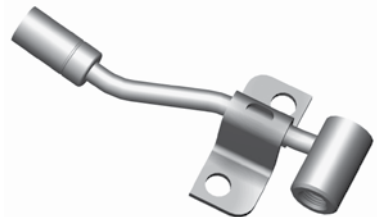
UNI = Universal

V = Various

METRIC FEMALE FITTINGS

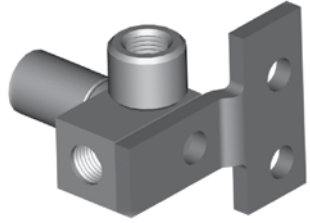
Bracket Mount

HFMF319



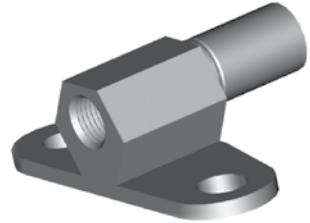
THREAD	SEAT	MOUNT	HEX	OAL	FITS
M10 x 1	Inverted	Bracket	-	115mm	A

HFMF320



THREAD	SEAT	MOUNT	HEX	OAL	FITS
M10 x 1-(2)	Inverted	Bracket	-	38mm	A

HFMF324



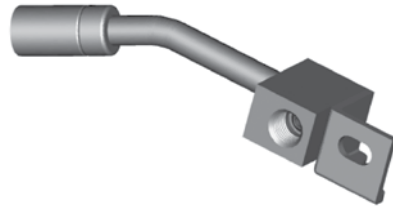
THREAD	SEAT	MOUNT	HEX	OAL	FITS
M10 x 1	Inverted	Bracket	-	46mm	A

HFMF325



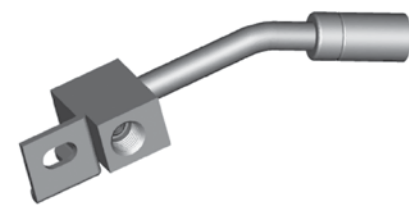
THREAD	SEAT	MOUNT	HEX	OAL	FITS
M10 x 1	Inverted	Bracket	-	45mm	A

HFMF342



THREAD	SEAT	MOUNT	HEX	OAL	FITS
M10 x 1	Inverted	Bracket	-	100mm	A

HFMF343



THREAD	SEAT	MOUNT	HEX	OAL	FITS
M10 x 1	Inverted	Bracket	-	100mm	A

BQ71



Bracket Retaining Screws

(PKT 50)

This thread forming screw is required to secure bracket to bracket mount fittings.

DID YOU KNOW?

The purpose of the circular groove on the fitting crimp shell is threefold.

1. It helps to differentiate BQ fittings from others.
2. It acts as a depth guide for the hose installation.
3. It is used as a crimp setting guide for the economy crimping systems.

A = Asian

EU = European

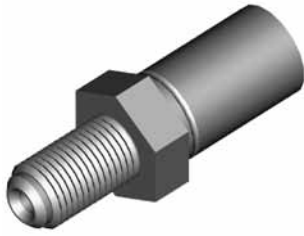
US = United States

UNI = Universal

V = Various

METRIC MALE FITTINGS

HFMM01



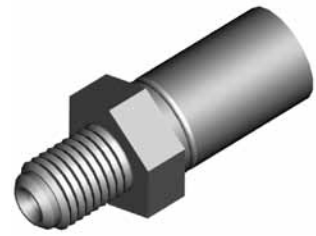
THREAD	THREAD LENGTH	HEX	OAL	FITS
M10 x 1	17mm	16mm	45mm	A

HFMM03



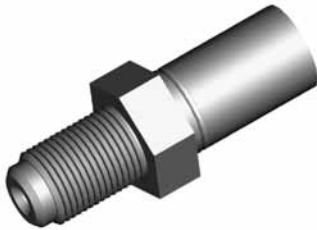
THREAD	THREAD LENGTH	HEX	OAL	FITS
M10 x 1	14mm	14mm	43mm	V

HFMM04



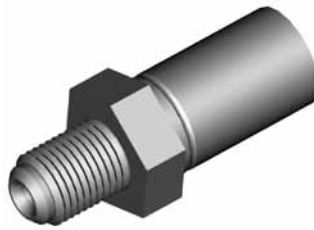
THREAD	THREAD LENGTH	HEX	OAL	FITS
M10 x 1.25	13mm	16mm	41mm	A

HFMM05



THREAD	THREAD LENGTH	HEX	OAL	FITS
M12 x 1	18mm	17mm	47mm	A

HFMM06



THREAD	THREAD LENGTH	HEX	OAL	FITS
M10 x 1	13mm	16mm	41mm	A

HFMM08



THREAD	THREAD LENGTH	HEX	OAL	FITS
M10 x 1	17mm	17mm	78mm	A

HFMM13



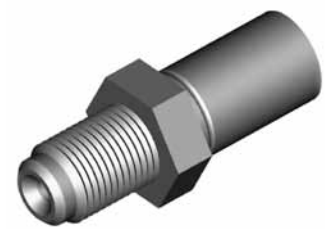
THREAD	THREAD LENGTH	HEX	OAL	FITS
M12 x 1	19mm	16mm	77mm	US

HFMM15



THREAD	THREAD LENGTH	HEX	OAL	FITS
M14 x 1.5	23.5mm	16mm	77mm	US

HFMM17



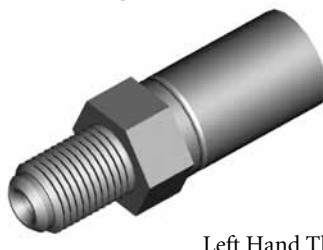
THREAD	THREAD LENGTH	HEX	OAL	FITS
M12 x 1.25	17mm	17mm	45mm	EU

HFMM22



THREAD	THREAD LENGTH	HEX	OAL	FITS
M10 x 1	33mm	14mm	62mm	EU

HFMM23



Left Hand Thread

THREAD	THREAD LENGTH	HEX	OAL	FITS
M10 x 1	14mm	14mm	43mm	EU

HFMM24



THREAD	THREAD LENGTH	HEX	OAL	FITS
M10 x 1.5	13mm	16mm	41mm	EU

HFMM25



THREAD	THREAD LENGTH	HEX	OAL	FITS
M14 x 1	15mm	19mm	43mm	EU

Standard Mount

CAUTION

Illustrations shown in this reference guide may vary slightly in detail from actual parts due to manufacturer's tolerances and design differences. Note: Illustrations not to scale.

DISCLAIMER NOTICE

The illustrations and data contained in this illustrated reference guide are intended as an aid in identifying the various products and have been obtained and developed from the specifications and information available. Although BrakeQuip believes that such illustrations and data are correct, errors may exist and further verification on the part of the user may be necessary.

A = Asian

EU = European

US = United States

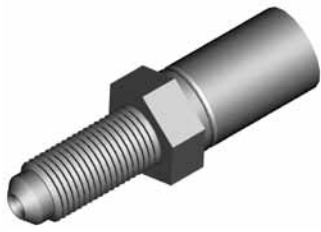
UNI = Universal

V = Various

METRIC MALE FITTINGS

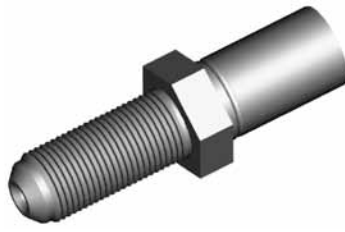
Bulkhead Mount

HFMM02



THREAD	THREAD LENGTH	HEX	OAL	FITS
M10 x 1	23mm	15mm	51mm	V

HFMM09



THREAD	THREAD LENGTH	HEX	OAL	FITS
M12 x 1	28mm	17mm	56mm	A

HFMM10



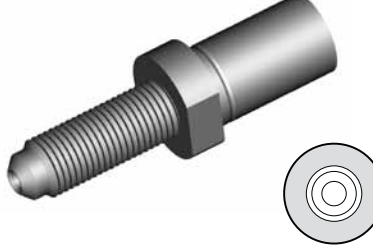
THREAD	THREAD LENGTH	HEX	OAL	FITS
M12 x 1.5	33mm	17mm	61mm	A

HFMM11



THREAD	THREAD LENGTH	HEX	OAL	FITS
M10 x 1.25	15mm	14mm	43mm	EU

HFMM18



THREAD	THREAD LENGTH	HEX	OAL	FITS
M10 x 1	28mm		56mm	EU

HFMM20



THREAD	THREAD LENGTH	HEX	OAL	FITS
M10 x 1	24mm	14mm	81mm	EU

HFMM21



THREAD	THREAD LENGTH	HEX	OAL	FITS
M10 x 1.25	24mm	14mm	76mm	EU

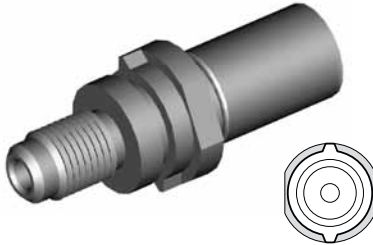
Clip Mount

HFMM12



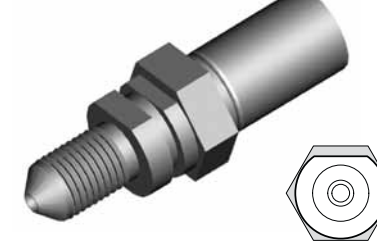
THREAD	THREAD LENGTH	HEX	OAL	FITS
M10 x 1	15mm	17mm	50mm	V

HFMM302



THREAD	THREAD LENGTH	HEX	OAL	FITS
M10 x 1	14.5mm	17mm	49mm	EU

HFMM303



THREAD	THREAD LENGTH	HEX	OAL	FITS
M10 x 1	16mm	17mm	52mm	EU

A = Asian

EU = European

US = United States

UNI = Universal

V = Various

BRACKETS

BQB01



LOCATION	HOLE	FITS
-	9mm	US

BQB04



LOCATION	HOLE	FITS
Either	8.4mm	US

BQB05



LOCATION	HOLE	FITS
-	9mm	US

BQB07



LOCATION	HOLE	FITS
Rear	12.4mm	US

BQB10



LOCATION	HOLE	FITS
Left	9.6mm	US

BQB11



LOCATION	HOLE	FITS
Right	9.6mm	US

BQB14



LOCATION	HOLE	FITS
Left	8.6mm	US

BQB15



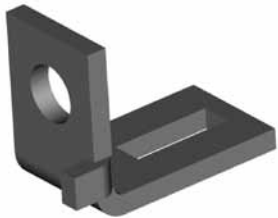
LOCATION	HOLE	FITS
Right	8.6mm	US

BQB20



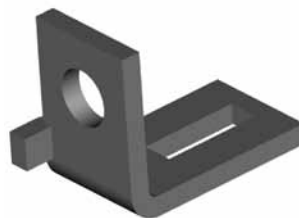
LOCATION	HOLE	FITS
Either	9mm	US

BQB24



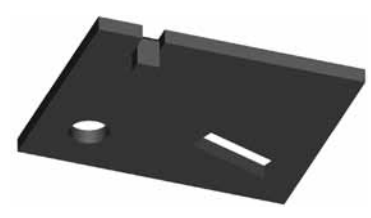
LOCATION	HOLE	FITS
Left	8.8mm	US

BQB25



LOCATION	HOLE	FITS
Right	8.8mm	US

BQB26



LOCATION	HOLE	FITS
Right	7mm	US

BQB27



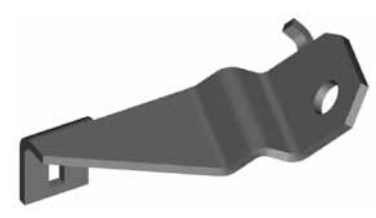
LOCATION	HOLE	FITS
Left	7mm	US

BQB29



LOCATION	HOLE	FITS
Either	9.6mm	US

BQB30



LOCATION	HOLE	FITS
Rear	10.4mm	US

Fitting Brackets

A = Asian

EU = European

US = United States

UNI = Universal

V = Various

BRACKETS

BQB39



LOCATION	HOLE	FITS
Left	9mm	US

BQB40



LOCATION	HOLE	FITS
Right	9mm	US

BQB41



LOCATION	HOLE	FITS
Left	9mm	US

BQB42



LOCATION	HOLE	FITS
Right	9mm	US

BQB50



LOCATION	HOLE	FITS
Either	8mm	US

BQB53



LOCATION	HOLE	FITS
Right	9mm	US

BQB54



LOCATION	HOLE	FITS
Left	9mm	US

BQB63



LOCATION	HOLE	FITS
Rear	10.8mm	US

BQB64



LOCATION	HOLE	FITS
Left	8.3mm	US

BQB65



LOCATION	HOLE	FITS
Right	8.3mm	US

BQB75



LOCATION	HOLE	FITS
Rear	8.5mm	US

BQB80



LOCATION	HOLE	FITS
Either	8.8mm	US

BQB83



LOCATION	HOLE	FITS
Either	8.8mm	US

BQB86



LOCATION	HOLE	FITS
Left	8.5mm	US

BQB87



LOCATION	HOLE	FITS
Right	8.5mm	US

Fitting Brackets

A = Asian

EU = European

US = United States

UNI = Universal

V = Various

BRACKETS

BQB88



LOCATION	HOLE	FITS
Either	7.7mm	US

BQB89



LOCATION	HOLE	FITS
Either	10.4mm	US

BQB90



LOCATION	HOLE	FITS
Left	9.0mm	US

BQB91



LOCATION	HOLE	FITS
Right	9.0mm	US

BQB94



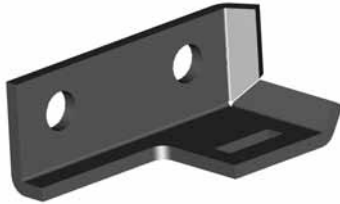
LOCATION	HOLE	FITS
Right	9.0mm	US

BQB105



LOCATION	HOLE	FITS
Either	9mm	US

BQB111



LOCATION	HOLE	FITS
Left	8.8mm	US

BQB112



LOCATION	HOLE	FITS
Right	8.8mm	US

BQB115



LOCATION	HOLE	FITS
Either	3/8UNC	US

BQB118



LOCATION	HOLE	FITS
Either	12mm	US

BQB119



LOCATION	HOLE	FITS
Left	9mm	US

BQB120



LOCATION	HOLE	FITS
Right	9mm	US

BQB151



LOCATION	HOLE	FITS
Right	6.3mm	US

BQB152



LOCATION	HOLE	FITS
Left	6.3mm	US

BQB160



LOCATION	HOLE	FITS
Left	9mm	US

Fitting Brackets

A = Asian

EU = European

US = United States

UNI = Universal

V = Various

BRACKETS

Fitting Brackets

BQB166



LOCATION	HOLE	FITS
Left	9mm	US

BQB171



LOCATION	HOLE	FITS
Either	8.7mm	US

BQB312



LOCATION	HOLE	FITS
Left	6.3mm	US

BQB313



LOCATION	HOLE	FITS
Right	6.3mm	US

DID YOU KNOW?

Copper washers or brake fluid compatible bonded washers should only be used for sealing the high pressures found in braking systems. Aluminum and nylon washers are for low pressure only and should not be used on braking systems.

DID YOU KNOW?

The gramophone finish on some banjo fittings are designed to increase the sealing power of the copper washer. It is usually on banjo fittings that have a large flat face.

BRACKETS

BQB02



LOCATION	HOLE	FITS
Right	M6 x 1	US

BQB08



LOCATION	HOLE	FITS
Right	8.8mm	US

BQB09



LOCATION	HOLE	FITS
Left	8.8mm	US

BQB12



LOCATION	HOLE	FITS
Left	M6 x 1	US

BQB16



LOCATION	HOLE	FITS
Left	9mm	US

BQB17



LOCATION	HOLE	FITS
Right	9mm	US

BQB18



LOCATION	HOLE	FITS
Left	9mm	US

BQB19



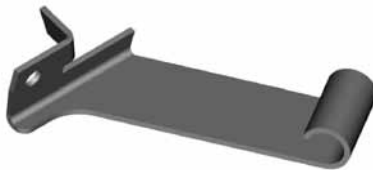
LOCATION	HOLE	FITS
Right	9mm	US

BQB21



LOCATION	HOLE	FITS
Left	6mm	US

BQB22



LOCATION	HOLE	FITS
Right	6mm	US

BQB23



LOCATION	HOLE	FITS
Either	8.8mm	US

BQB31

(Includes Grommet)



LOCATION	HOLE	FITS
Either	6mm	A

BQB32



LOCATION	HOLE	FITS
Right	8mm	US

BQB34



LOCATION	HOLE	FITS
Left	M6 x 1	US

BQB35



LOCATION	HOLE	FITS
Right	M6 x 1	US

Center Brackets

A = Asian

EU = European

US = United States

UNI = Universal

V = Various

BRACKETS

Center Brackets

BQB36



LOCATION	HOLE	FITS
Left	8.4mm	US

BQB37



LOCATION	HOLE	FITS
Right	8.4mm	US

BQB38



LOCATION	HOLE	FITS
Either	5/16NF	US

BQB48



LOCATION	HOLE	FITS
Left	6.4mm	US

BQB49



LOCATION	HOLE	FITS
Right	6.4mm	US

BQB51



LOCATION	HOLE	FITS
Left	9mm	US

BQB52



LOCATION	HOLE	FITS
Right	9mm	US

BQB69



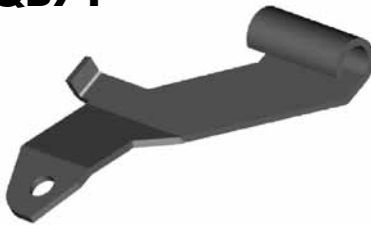
LOCATION	HOLE	FITS
Either	M8x1.25	US

BQB70



LOCATION	HOLE	FITS
Left	9.2mm	US

BQB71



LOCATION	HOLE	FITS
Right	9.2mm	US

BQB72



LOCATION	HOLE	FITS
Left	7mm	US

BQB73



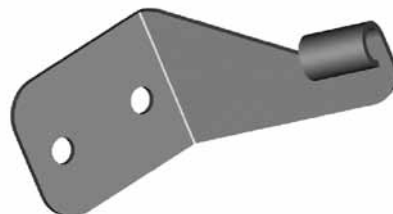
LOCATION	HOLE	FITS
Right	7mm	US

BQB74



LOCATION	HOLE	FITS
Left	8.8mm	US

BQB77



LOCATION	HOLE	FITS
Left	9.1mm	US

BQB78



LOCATION	HOLE	FITS
Right	8.8mm	US

A = Asian

EU = European

US = United States

UNI = Universal

V = Various

BRACKETS

BQB81



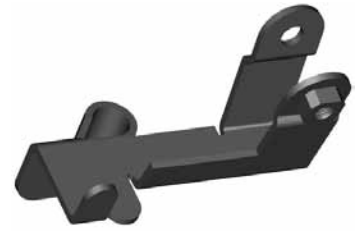
LOCATION	HOLE	FITS
Rear	9.0mm	US

BQB85



LOCATION	HOLE	FITS
Either	9mm	US

BQB92



LOCATION	HOLE	FITS
Left	M6 x 1	US

BQB93



LOCATION	HOLE	FITS
Right	M6x1	US

BQB98



LOCATION	HOLE	FITS
Right	9mm	US

BQB99



LOCATION	HOLE	FITS
Left	9mm	US

BQB100



LOCATION	HOLE	FITS
Left	9mm	US

BQB101



LOCATION	HOLE	FITS
Right	9mm	US

BQB109



LOCATION	HOLE	FITS
Left	7mm	US

BQB110



LOCATION	HOLE	FITS
Right	7mm	US

BQB140



LOCATION	HOLE	FITS
Right	9mm	US

BQB141



LOCATION	HOLE	FITS
Left	9mm	US

BQB162



LOCATION	HOLE	FITS
Right	6.3mm	US

BQB163



LOCATION	HOLE	FITS
Left	6.3mm	US

BQB168



LOCATION	HOLE	FITS
Either	M6 x 1	US

Center Brackets

A = Asian

EU = European

US = United States

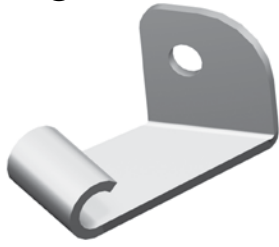
UNI = Universal

V = Various

BRACKETS

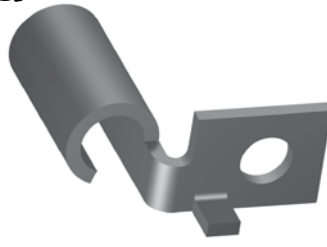
Center Brackets

BQB169



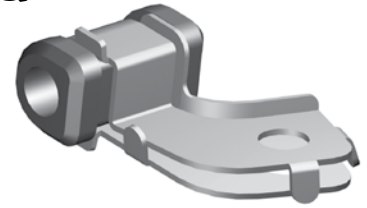
LOCATION	HOLE	FITS
Either	9mm	US

BQB172



LOCATION	HOLE	FITS
Either	9mm	US

BQB174



(Includes Grommet)

LOCATION	HOLE	FITS
Right	9mm	A

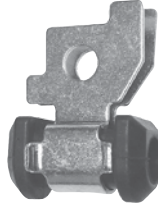
BQB195



(Includes Grommet)

LOCATION	HOLE	FITS
Left	9mm	A

BQB221



(Includes Grommet)

LOCATION	HOLE	FITS
Either	9mm	A

BQB222



(Includes Grommet)

LOCATION	HOLE	FITS
Right	9mm	A

BQB223



(Includes Grommet)

LOCATION	HOLE	FITS
Left	9mm	A

BQB224



(Includes Grommet)

LOCATION	HOLE	FITS
Right	9mm	A

BQB225



(Includes Grommet)

LOCATION	HOLE	FITS
Left	9mm	A

Universal

BQB06



A = Asian

EU = European

US = United States

UNI = Universal

V = Various

RUBBER HOSE COMPONENTS

BQ203



DIAMETER	OAL	FITS
16mm	104mm	V

BQ210



DIAMETER	OAL	FITS
30mm	10mm	EU

BQ211



DIAMETER	OAL	FITS
18mm	25mm	V

BQ212



DIAMETER	OAL	FITS
22mm	41mm	V

BQ213



DIAMETER	OAL	FITS
30mm	32mm	A

BQ215



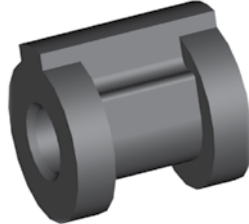
DIAMETER	OAL	FITS
25mm	22mm	A

BQ216



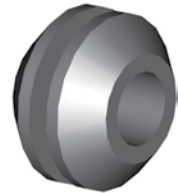
DIAMETER	OAL	FITS
28mm	32mm	EU

BQ217



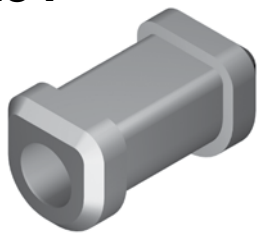
DIAMETER	OAL	FITS
28mm	29mm	EU

BQ218



DIAMETER	OAL	FITS
25mm	16mm	EU

BQ234



DIAMETER	OAL	FITS
19mm	34mm	A

BQ272



DIAMETER	OAL	FITS
25.4mm	10mm	EU

BQ273



DIAMETER	OAL	FITS
26mm	8mm	EU

BQ274



DIAMETER	OAL	FITS
18mm	62mm	EU

BQ275



DIAMETER	OAL	FITS
32mm	24mm	EU

BQ276



DIAMETER	OAL	FITS
18.4mm	10mm	EU

A = Asian

EU = European

US = United States

UNI = Universal

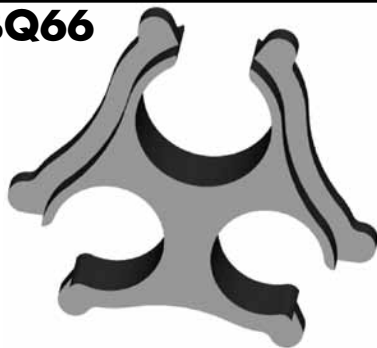
V = Various

PLASTIC CLIPS

BQ65



BQ66



BQ67



BQ68



BQ69



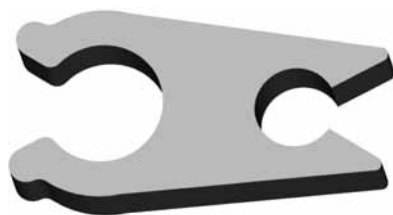
BQ70



BQ97

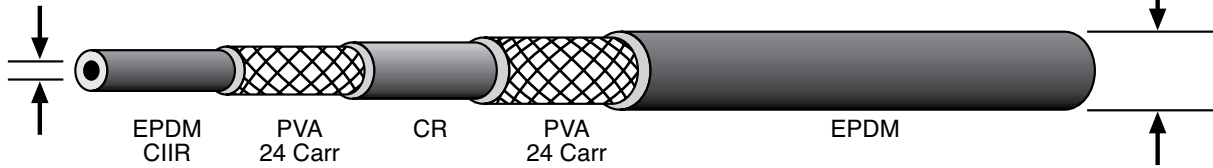


BQ98



Rubber Brake Hose

BQ101



Hose ID: .130" - .138"
(3.3mm - 3.5mm)

Hose OD: .406" - .421"
(10.3mm - 10.7mm)

- Two braid PVA reinforced hose
 - Meets FMVSS-106 and SAE J1401 specifications
 - Temperature range -50°C to 121°C
 - Compatible with DOT 3, DOT 4 and most non-petroleum based brake fluids including silicone
 - Excellent moisture resistance
 - Superior weather resistant cover material
- (50' Minimum)

BQ11



Hose Protector Spring
(PKT 6)

BQ12



Fitting Shoulder Clips
(PKT 20)

BQ312-BK BQ312-GY



Available in 10' increments

Heat Protection Sleeve

Attractive brake hose cover to protect the hose from hot components. Simply slide over hose before crimping end fittings.

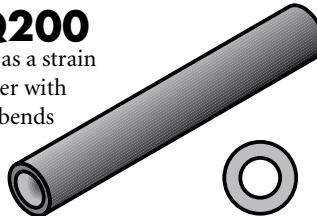
BQ71



Bracket Retaining Screws
(PKT 50)

BQ200

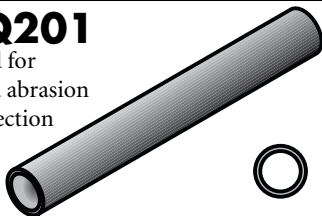
Used as a strain reliever with tight bends



Insulating Hose Thick
(10' Length)

BQ201

Used for extra abrasion protection



Insulating Hose Thin
(50' Length)

BQ202



Plastic Protector Spring
(Length = 500mm or 19.5")

PART NO.	COLOR	TEMPERATURE	
		CONSTANT	INTERMITTENT
BQ312-BK	Black	500° F	3,000° F
BQ312-GY	Gray	500° F	3,000° F

RUBBER HOSE COMPONENTS -- PG61

Rubber Brake Hose Cutter



**Economy Style
BQ2102**



**Replacement Blade
BQ2101B**



BQ2103

This heavy duty tool cuts hose clean & square every time - with ease.
Blade is reversible for double life.

STAINLESS STEEL BRAIDED HOSE & ACCESSORIES



Braided Hose Insert

PART NO.	DESCRIPTION
BQ251-SV	Braided Hose Insert - Silver
BQ251-BK	Braided Hose Insert - Black
BQ251-BL	Braided Hose Insert - Blue
BQ251-RD	Braided Hose Insert - Red
BQ251-PP	Braided Hose Insert - Purple
BQ251-GD	Braided Hose Insert - Gold
BQ251-GR	Braided Hose Insert - Green
BQ251-YL	Braided Hose Insert - Yellow

Stainless Steel Braided Brake Hose

PART NO.	SIZE	JACKET COLOR
BQ301	1/8" ID	Nil
BQ303	1/8" ID	Clear
BQ303BK	1/8" ID	Black
BQ303BL	1/8" ID	Blue
BQ303RD	1/8" ID	Red

Clear Center Fitting Adaptor Tube

Allows you to adapt center fittings and accessories to non-jacketed hose available in 10' lengths.



BQ310

Allows you to adapt center fittings and accessories to jacketed hose available in 10' lengths.



BQ311

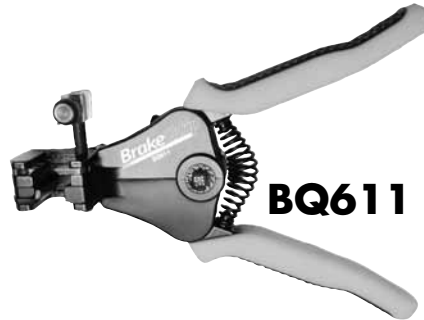
TOOLS



BQ2104

Small Braided Hose Shears

High grade braided hose shears that cuts the hose clean without fraying the braid. Handy inside stops are ideal for rounding up the hose after cutting.



BQ611

High Speed Skiving Tool

Skive your braided hose in a matter of a few seconds. Adjustable stop allows precise measurement every time. This tool has three actions with one simple squeeze of the handles. The first stage clamps the hose, the second stage brings the knives down and cuts the outer cover, and the final stage rips it off the hose. This high productivity tool will save you a lot of time and heartache and leave you with a professional result.

BQ36



Skiving Tool

BQ42525



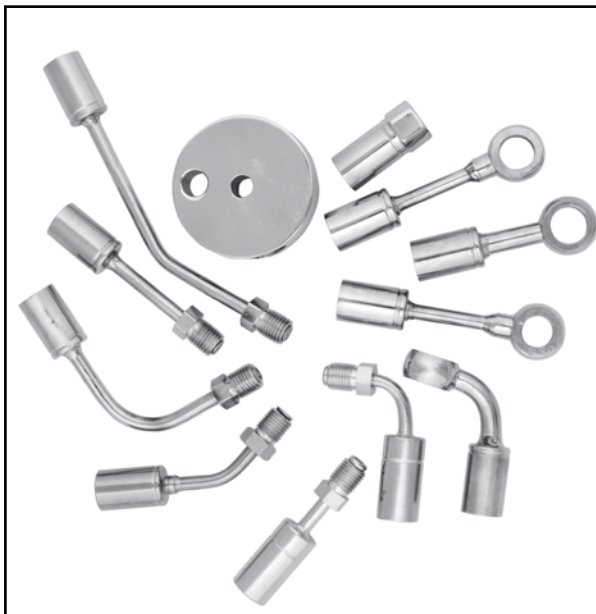
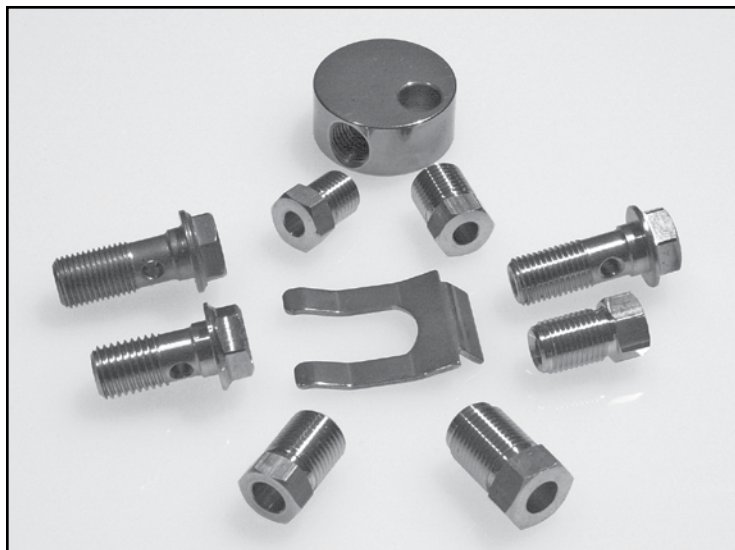
Replacement Cutting Wheel

This handy tool is the ultimate tool for skiving the jacket off 1/8" ID braided hose – cuts cleanly and square to the correct length every time. The incorporated mandrel also acts as a hose expander to help with the installation of the fitting.

Stainless Steel Crimp Fittings

Polished Stainless Steel Fittings

Complete your brake plumbing job with stainless steel fittings for non-rusting durability. Polished finish for the chrome like look.



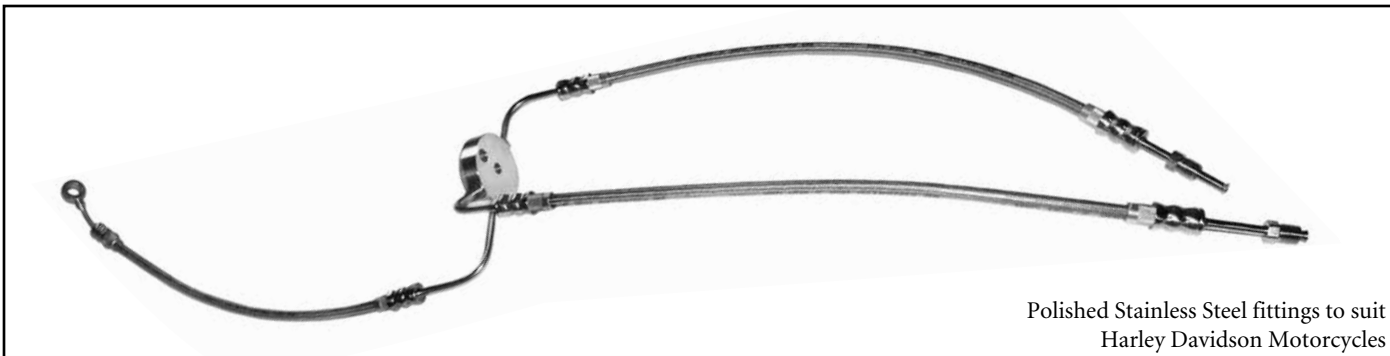
See these polished Stainless Steel Motorcycle Fittings on page 68.



Stainless Crimp Fittings

PART NO.	DESCRIPTION
HF01SS	Fitting - Lifesaver - 3/16" Countersink
HF06SS	Fitting - Male Swivel Nut 7/16" x 24NS (90°)
HF07SS	Fitting - Male Swivel Nut 7/16" x 24NS (45°)
HF09SS	Fitting - Female Swivel Nut 3/8" x 24NF (Straight) No. 3AN
HF09WSS	Fitting - Female Swivel Nut 3/8" x 24NF (Straight)
HF10SS	Fitting - Female Swivel Nut 3/8" x 24NF (45°) No. 3AN
HF11SS	Fitting - Female Swivel Nut 3/8" x 24NF (90°) No. 3AN
HF12SS	Fitting - Female Swivel Nut 7/16" x 20NF (Straight) No. 4AN
HF13SS	Fitting - Female Swivel Nut 7/16" x 20NF (45°) No. 4AN
HF14SS	Fitting - Female Swivel Nut 7/16" x 20NF (90°) No. 4AN
HF15SS	Fitting - Male Swivel Nut 7/16" x 24NS
HF16SS	Fitting - Male Swivel Nut 3/8" x 24NF
HF17SS	Fitting - Male Swivel Nut 3/8" x 24NF (90°)
HF30SS	Fitting - 3/16" Compression
HF31SS	Fitting - 1/4" Compression
HF33SS	Fitting - Male Swivel Nut 3/8" x 24NF (45°)
HFB09SS	Fitting - Banjo 10 x 10mm
HFB34SS	Fitting - Banjo 10 x 8mm (Extra long Neck)
HFB37SS	Fitting - Banjo 10 x 10mm (Extra long Neck)
HFIF01SS	Fitting - Female 3/8" x 24NF
HFIF02SS	Fitting - Female 7/16" x 24NS
HFIM01SS	Fitting - Male 3/8" x 24NF Short
HFIM03SS	Fitting - Male 7/16" x 20NF Short
HFIM19SS	Fitting - Male 1/8" x 27NPT
HFMF04SS	Fitting - Female M10 x 1 (17mm Flats)
HFMM06SS	Fitting - Male M10 x 1 (Short)

MOTORCYCLE PROGRAM



Polished Stainless Steel fittings to suit Harley Davidson Motorcycles

BQ177SS

Stainless

THREAD	FLARE	OAL	FITS
3/8" x 24NF	45°	47mm	US

HF16SS

Stainless

THREAD	FLARE	OAL	FITS
3/8" x 24NF	45°	57mm	V

HF17SS

Stainless

THREAD	FLARE	OAL	FITS
3/8" x 24NF	45°	49mm	V

HF33SS

Stainless

THREAD	FLARE	OAL	FITS
3/8" x 24NF	45°	65mm	V

HF43SS

Stainless

THREAD	FLARE	OAL	FITS
3/8" x 24NF	45°	69mm	US

HF45SS

Stainless

THREAD	FLARE	OAL	FITS
3/8" x 24NF	45°	112mm	US

HF46SS

Stainless

THREAD	FLARE	OAL	FITS
3/8" x 24NF	45°	64mm	US

HFB47SS

Stainless

HOLE	THICK	OAL	FITS
12mm	10mm	50mm	US

HFB151SS

Stainless

HOLE	THICK	OAL	FITS
10mm	9mm	-	US

HFB171SS

Stainless

HOLE	THICK	OAL	FITS
10mm	8mm	65mm	US

HFB178SS

Stainless

HOLE	THICK	OAL	FITS
7/16"	8mm	65mm	US

HFIF126SS

Stainless

THREAD	FLARE	OAL	FITS
3/8" x 24NF	Inverted	31mm	US

A = Asian

EU = European

US = United States

UNI = Universal

V = Various

Power Steering Hose Repair Service Program

Repair failed power steering hoses economically and quickly. Simply re-use the existing end fittings to replace the failed rubber hose utilizing BrakeQuip's uniquely designed crimp fittings.



Power Steering Components - Fittings

PSHF100



Designed to slide onto hose and be lightly crimped.

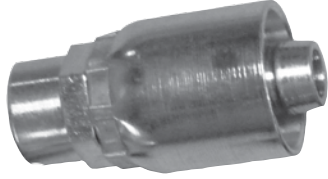
DESCRIPTION	SIZE	OAL
Center Support for Hose Clamp	-	27mm

PSHF101




DESCRIPTION	SIZE	OAL
Braze-On Fitting	3/8"	44mm

PSHF102



DESCRIPTION	SIZE	OAL
Braze-On Fitting	10mm	44mm

PSHF103



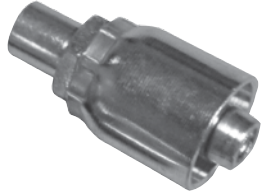
DESCRIPTION	SIZE	OAL
Compression Fitting	3/8"	65mm

PSHF104




DESCRIPTION	SIZE	OAL
Compression Fitting	10mm	65mm

PSHF105



DESCRIPTION	SIZE	OAL
Male Braze-On Fitting	11mm	47mm

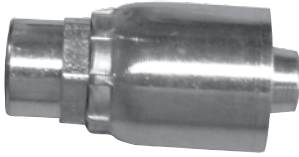
PSHF106



To be used in conjunction with BQ226 (3/8") and BQ227 (10mm) braze on fittings.

DESCRIPTION	SIZE	OAL
Female Swivel	9/16" x 18NF	57mm

PSHF107



DESCRIPTION	SIZE	OAL
Braze-On Fitting	5/16"	44mm

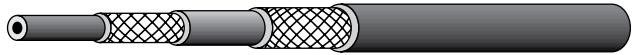
PSHF114



DESCRIPTION	SIZE	OAL
90° Female Swivel	9/16" x 18NF	80mm

Power Steering Components - Hoses

High Pressure




BQ330

ID SIZE	OD SIZE	WORKING PRESSURE	MIN. BURST PRESSURE	MIN. BEND RADIUS
3/8"	18mm	1,500 psi	6,000 psi	3-1/4"

Temperature Range: -40°F to +300°F (-40°C to +150°C)

This hose has a high temperature rating and is compatible with most power steering oils. High expansion for noise resistance. Complies with SAE J2050 standards.

Low Pressure



BQ331

ID SIZE	OD SIZE	WORKING PRESSURE	MIN. BURST PRESSURE	MIN. BEND RADIUS
3/8"	16.25mm	300 psi	1,200 psi	3"

Temperature Range: -40°F to +300°F (-40°C to +150°C)

This hose has a high temperature rating and is compatible with most power steering oils. Fabric cover to distinguish it and for flexibility. Complies with SAE J1019 standards.

Power Steering Components - Accessories



Crimp Setting Tools
For power steering hoses.



Power Steering Adaptor Kit



Flow Restrictor
This flow restrictor is mainly used on smaller cars and in particular Asian & European vehicles. Its purpose is to restrict flow to eliminate power steering noise.

Power Steering Die Sets Available



PART NO.	CRIMPING MACHINE
BQ2090	BrakeQuip BQ1005 series
BQ2300	Aeroquip 1380
BQ2301	Aeroquip 1330
BQ2302	XRP
BQ2303	Custom Crimp D100
BQ2304	Custom Crimp D200
BQ2305	Custom CC30 - Finnpower P20
BQ2306	Custom CC60 - Finnpower P32 - GY40
BQ2307	Dayco NP60
BQ2308	Gates 707
BQ2309	Gates GC32
BQ2310	Imperial Eastman K24
BQ2311	Manuli - Techmaflex
BQ2312	Parker
BQ2313	Weatherhead T400
BQ2314	UniFlex 239
BQ2335	O+P 70
BQ2336	O+P 120



Steel Braze-On Adaptors

PART NO.	THREAD - STEEL - NO. 6 JIC	TUBE SIZE
BQ226	9/16"x18NF	3/8"
BQ227	9/16"x18NF	10mm
BQ228	9/16"x18NF	1/2"

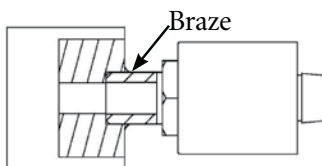
Aluminum Braze-On Adaptor

PART NO.	THREAD - STEEL - NO. 6 JIC	TUBE SIZE
BQ170	9/16"x18NF	3/8"

Power Steering Hose Fabrication Instructions

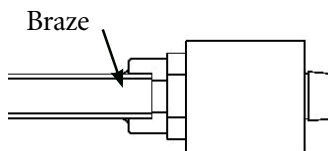
Fitting Selection

Male Lifesaver – PSHF105 – Designed for when you need to reuse a non-tube style fitting. The fitting to be reused will need to be countersunk between 1/8" to 3/16" (3 - 5mm) deep with a 11mm or 7/16" drill.



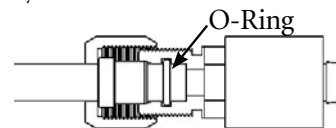
Female Lifesavers – PSHF101 (3/8") and PSHF102 (10mm) – designed for when you don't have enough room to use a compression fitting. These fittings are already countersunk. It is just a matter of cutting the existing tube at the maximum length possible and installing it into the appropriately selected fitting and brazing the tube to the fitting.

IMPORTANT: The brazing process must take place before crimping the fitting.



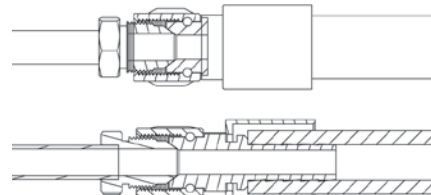
Note: It is important that only high pressure silver brazing rods be used. The silver content of the brazing rod must be at least 45%.

Compression Fittings – PSHF103 (3/8") & PSHF104 (10mm) – Designed for when you have sufficient straight tube to get a good seal on these types of fittings. See illustration below for correct assembly.



Note: It is important that the cut tube is deburred with a slight outside chamfer so that it doesn't damage the sealing O-Ring. Make sure that the tube goes past the O-Ring and bottoms out at the bottom of the fitting.

Swivel Fitting – PSHF106 – Designed for an easier installation and flexible orientation. Simply braze a BQ226 (3/8" tube) or a BQ227 (10mm tube) fitting onto the end of the cut tube. This will then give you a male connection to attach to the No. 6 JIC female swivel fitting.



Restrictor Tube - BQ801 - This is used only where applicable. Insert restrictor tube into hose before installing last end fitting. This special high temperature tube will "float" in the hose and restrict flow to reduce noise.



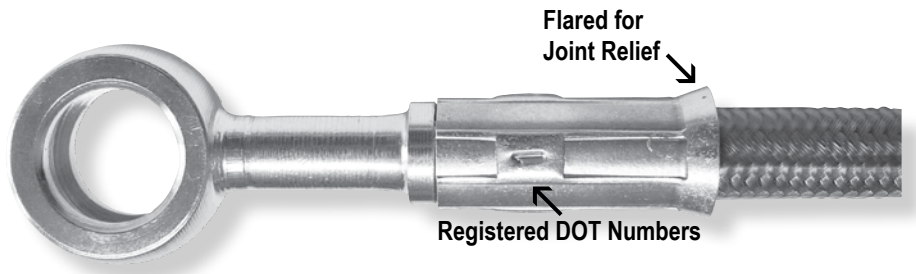
LOW PROFILE FITTINGS

REAL DOT Conformance with the Extreme Look



"Mix and Match System"

allows you to consolidate your inventory.



LP06-7

90° Swivel

THREAD	FLARE	TUBE SIZE	OAL	FITS
7/16" x 24NS	45° Double	1/4"	-	V

LP11-6

90° Swivel
No. 3 JIC

THREAD	FLARE	TUBE SIZE	OAL	FITS
3/8" x 24NF	37° Double	3/16"	-	V

LP17-6

90° Swivel

THREAD	FLARE	TUBE SIZE	OAL	FITS
3/8" x 24NF	45° Double	3/16"	-	V

LP33-6

45° Swivel

THREAD	FLARE	TUBE SIZE	OAL	FITS
3/8" x 24NF	45° Double	3/16"	-	V

LP34-M10X1

Swivel

THREAD	FLARE	TUBE SIZE	OAL	FITS
M10 x 1	45° Double	3/16"	-	V

LP124

8mm Mount Hole

THREAD	FLARE	TUBE SIZE	OAL	FITS
-	-	-	-	V

LPB01-10M

HOLE	THICK	WIDTH	ANGLE	OAL	FITS
10mm	8mm	17mm	-	-	V

LPB09-10M

HOLE	THICK	WIDTH	ANGLE	OAL	FITS
10mm	10mm	18mm	-	-	V

LPB09SW-10M

Swiveling
Banjo with Shell Assembly

HOLE	THICK	WIDTH	ANGLE	OAL	FITS
10mm	10mm	18mm	-	-	V

LPB12-10M

HOLE	THICK	WIDTH	ANGLE	OAL	FITS
10mm	11.5mm	20mm	10°	-	V

LPB47-12M

HOLE	THICK	WIDTH	ANGLE	OAL	FITS
12mm	10mm	19mm	-	-	V

LPB448-7

HOLE	THICK	WIDTH	ANGLE	OAL	FITS
7/16"	10mm	19mm	-	-	V

A = Asian EU = European US = United States UNI = Universal V = Various

Miscellaneous

Banjo

LOW PROFILE FITTINGS

Banio

LPB455-10M



HOLE	THICK	WIDTH	ANGLE	OAL	FITS
10mm	8mm	17mm	-	-	V

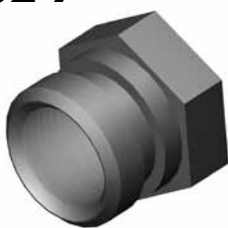
Female Imperial

LPIF01-6



THREAD	SEAT	MOUNT	HEX	OAL	FITS
3/8" x 24NF	-	Clip	17mm	-	V

LPIF02-7



THREAD	SEAT	MOUNT	HEX	OAL	FITS
7/16" x 24NS	-	Clip	17mm	-	V

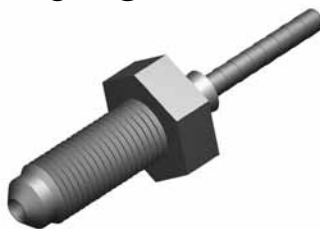
Male Imperial

LPIM01-6



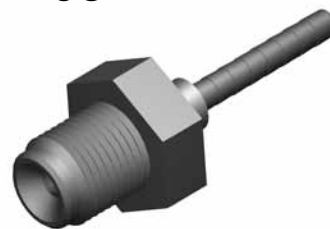
THREAD	THREAD LENGTH	HEX	OAL	FITS
3/8" x 24NF	12.5mm	16mm	-	V

LPIM02-6



THREAD	THREAD LENGTH	HEX	OAL	FITS
3/8" x 24NF	24mm	16mm	-	V

LPIM03-7



THREAD	THREAD LENGTH	HEX	OAL	FITS
7/16" x 20NF	12mm	16mm	-	V

LPIM13-7



THREAD	THREAD LENGTH	HEX	OAL	FITS
7/16" x 24NS	12mm	16mm	-	V

LPIM19



THREAD	THREAD LENGTH	HEX	OAL	FITS
1/8" x 27NPT	12mm	14mm	-	V

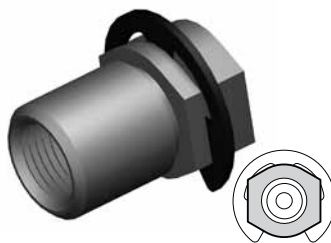
Female Metric

LPMF01-M10X1



THREAD	SEAT	MOUNT	HEX	OAL	FITS
M10 x 1	-	Clip	17mm	-	V

LPMF02-M10X1



THREAD	SEAT	MOUNT	HEX	OAL	FITS
M10 x 1	-	Clip	17mm	-	A

LPMF05-M10X1



THREAD	SEAT	MOUNT	HEX	OAL	FITS
M10 x 1	-	Clip	14mm	-	EU

A = Asian

EU = European

US = United States

UNI = Universal

V = Various

LOW PROFILE FITTINGS

LPMF08-M10X1



THREAD	SEAT	MOUNT	HEX	OAL	FITS
M10 x 1	-	Clip	17mm	-	V

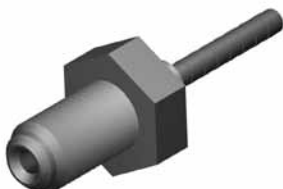
LPMF09-M10X125



THREAD	SEAT	MOUNT	HEX	OAL	FITS
M10x125	-	Clip	17mm	-	V

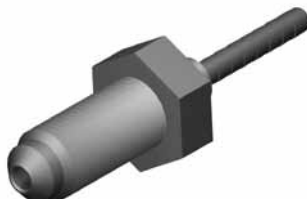
Female Metric

LPMM01-M10X1



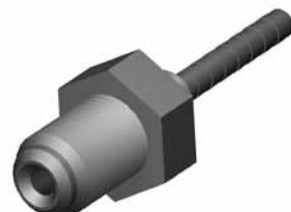
THREAD	THREAD LENGTH	HEX	OAL	FITS
M10 x 1	17mm	16mm	-	A

LPMM02-M10X1



THREAD	THREAD LENGTH	HEX	OAL	FITS
M10 x 1	23mm	15mm	-	V

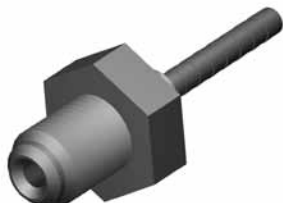
LPMM03-M10X1



THREAD	THREAD LENGTH	HEX	OAL	FITS
M10 x 1	14mm	14mm	-	V

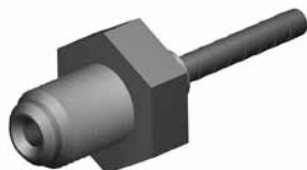
Male Metric

LPMM04-M10X125



THREAD	THREAD LENGTH	HEX	OAL	FITS
M10 x 1.25	13mm	16mm	-	A

LPMM06-M10X1



THREAD	THREAD LENGTH	HEX	OAL	FITS
M10 x 1	13mm	16mm	-	A

LPS-LI-SAE



SEAT	SEAT ANGLE	COLOR
Inverted	45°	Gold

LPS-SD-DIN



SEAT	SEAT ANGLE	COLOR
DPS	DIN 120°	Silver

LPS-SD-JIC



SEAT	SEAT ANGLE	COLOR
DPS	37°	Black

Seat Stems

LPS-SD-SAE



SEAT	SEAT ANGLE	COLOR
DPS	45°	Gold

LPS-SI-JIC



SEAT	SEAT ANGLE	COLOR
Inverted	37°	Black

LPS-SI-SAE



SEAT	SEAT ANGLE	COLOR
Inverted	45°	Gold

A = Asian

EU = European

US = United States

UNI = Universal

V = Various

LOW PROFILE FITTINGS

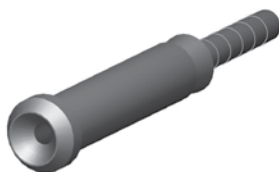
Seat Stems

LPS-T-DIN



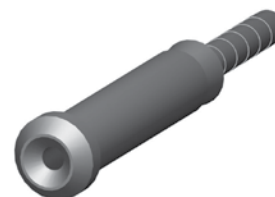
SEAT	SEAT ANGLE	COLOR
Dual - DIN	-	Silver

LPS-T-JIC



SEAT	SEAT ANGLE	COLOR
Dual	37°	Black

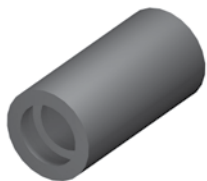
LPS-T-SAE



SEAT	SEAT ANGLE	COLOR
Dual	45°	Gold

Crimp Shell

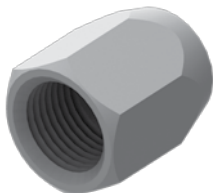
LP121



SEAT	SEAT ANGLE	COLOR
-	-	-

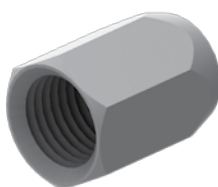
Special Tube Nuts

BQ9150



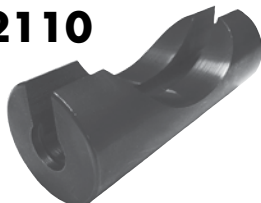
THREAD	INTERNAL	OAL
7/16" x 20 NF	6.6mm	18mm

BQ9151



THREAD	INTERNAL	OAL
3/8" x 24 NF	6.6mm	16mm

BQ2110



Crimp Setting Tool

A = Asian

EU = European

US = United States

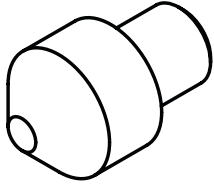
UNI = Universal

V = Various

SYSTEM AIDS & ACCESSORIES

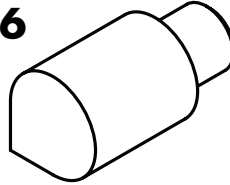
Test Cones

BQ21



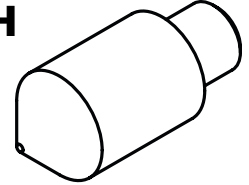
BQ21 Test Cone is designed as an aid for testing banjo fittings.

BQ206

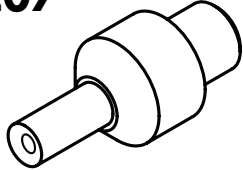


BQ206 and BQ206H are universal Test Cones for doing most general applications.

BQ206H

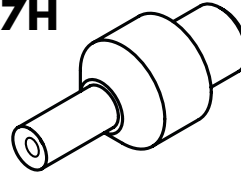


BQ207

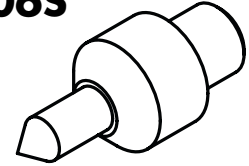


BQ207 and BQ207H Test Cones are designed for testing female fittings with inverted seats.

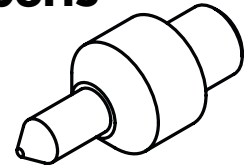
BQ207H



BQ206S

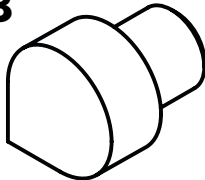


BQ206HS



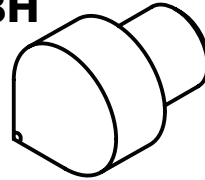
BQ206S and BQ206HS Test Cones are designed for testing female swivel fittings and female fittings with a drill point seat (DPS).

BQ208



BQ208 and BQ208H Test Cone are designed for testing extra long fittings.

BQ208H



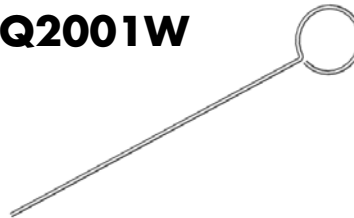
System Aids

BQ23



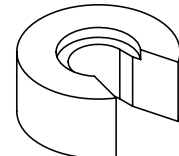
Fitting Test Spade

BQ2001W



Constriction Gauge

BQ1021A



Rear Crimp Setting Tool

BQ2005



Pro System Crimp Head Dust Cover

BQ2008



Pro System Crimp Setting Tool

BQ2010



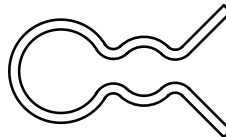
Countersink Drill Bit

BQ37



Econo System Crimp Setting Spade

BQ1014



Econo System Crimp Setting Clip

BQ1020



Banjo Blocking-Off Tool

A professional tool for blocking-off banjo fittings. Ideal for blocking off brake hoses with banjo fittings during maintenance & trouble shooting. Copper Washer sealing surfaces allows for sealing high pressures. Easy to use & reliable. Fits banjos holes 3/8" to 5/8".

BQ35



Calibration Tool

Please call for instruction if Potentiometer is out of adjustment. For BQ1005 series machine.

Fitting Plugs

The ideal fitting for blanking off high pressure fluid ports. Fitting design has a universal seat so no sealing compounds necessary.

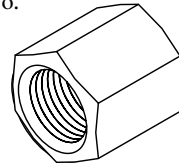
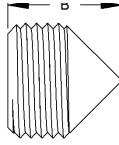
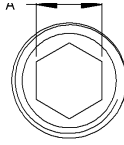
FEATURES:

- Zinc plated for corrosion resistance
- Imperial & Metric Threads

Assortment kit available.

To order see Part No.

BQ7012.



PART NO.	DESCRIPTION	THREAD	A	B
BQ18	Male Plug	M10 x 1	5mm	10mm
BQ19	Male Plug	3/8" x 24NF	3/16"	10mm
BQ26	Male Plug	7/16" x 24NS	1/4"	11mm
BQ160	Female Plug	3/8" x 24NF	1/2"	15mm
BQ161	Female Plug	7/16" x 24NS	9/16"	15mm
BQ162	Female Plug	7/16" x 20NF	9/16"	15mm
BQ163	Female Plug	1/2" x 20NF	16mm	16mm
BQ164	Female Plug	M10 x 1	13mm	15mm
BQ165	Female Plug	M10 x 1.25	13mm	15mm
BQ166	Female Plug	M12 x 1	16mm	16mm
BQ167	Female Plug	M12 x 1.5	16mm	16mm

BQ22A



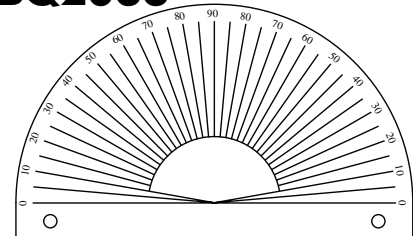
Part A - Banjo Bending Bar

BQ22B



Part B - Banjo Holder

BQ2033



Angle Gauge

Can be bench mounted. Ideal for aligning tubes and fittings.

Identifying the Correct Thread

THREAD FACTS

Worldwide there are only two measuring systems - Metric and Imperial. Sometimes the imperial measurement is called SAE or American.

Metric systems measure the thread by the distance between two thread pitches expressed in millimeters. Example: M10 x 1 = The OD of the thread is 10mm and the distance between each thread pitch is 1mm. Imperial systems measure the number of thread pitches over a one inch length.

Example: 7/16" x 24NS = The OD of the thread is 7/16" and the number of thread pitches over a one inch length is 24.

After some experience of looking at threads and knowing what vehicle the fitting came from, you will be able to determine fitting threads by just looking at them.

Determining if the thread is Metric or Imperial

The easiest way is using a thread gauge. We offer a thread identification kit (BQ2100) for this purpose that covers the majority of threads you will encounter working with brake plumbing. Another method could be to use a brake hose fitting or tube nut from which you could confirm the thread and size.

1. Determining the fitting OD

- a. If a male fitting - Measure the OD of the thread. Take into account that this measurement will be slightly under the nominal size.
- b. If a female fitting - Measure the ID of the thread. Compare this measurement at the distance between the "valleys" of opposing pitches with corresponding male fittings.

2. Determining the thread pitch

- a. If it is an imperial size - Count the number of thread pitches over, say, 1/2" length and then multiply by 2 to get your T.P.I. (Threads Per Inch).

A GLOBAL GUIDE TO THREAD SELECTION	
European (excluding UK)	99% Metric
Asian	99% Metric
UK (1930 - 1976)	Imperial
UK (1976-2008)	Metric
USA (1930 - 1980)	Imperial
USA (1980 - 2008)	Metric & Imperial

- b. If it is a metric size - Measure the distance between two thread pitches to determine the thread pitch.

Imperial threads found on braking systems

3/8" x 24NF 7/16" x 24NS 9/16" x 20NS
 3/8" x 20BSF 1/2" x 20NF
 7/16" x 20NF 9/16" x 18NF

Metric threads found on braking systems

M9 x 1 M10 x 1.5 M12 x 1.25
 M10 x 1 M11 x 1.25 M12 x 1.5
 M10 x 1.25 M12 x 1 M14 x 1.5

80% of threads found on braking systems are:

3/8" x 24NF
 7/16" x 24NS
 M10 x 1

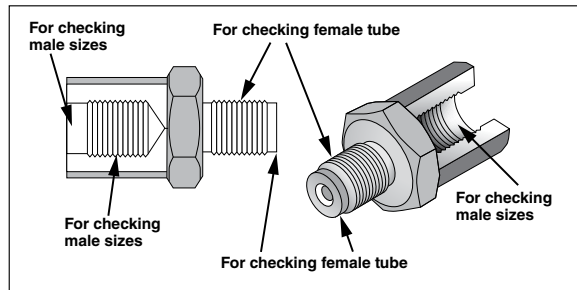
The two sizes most confused because they are so close in dimension are:

- a. 3/8" & 10mm. A 3/8" x 24NF thread will screw in to a M10x1 but a M10x1 will not start into a 3/8" thread. If uncertain, always go for the M10x1 to see if it will start in the thread.
- b. 7/16" & 11mm. The 11mm thread is extremely rare so always going for the 7/16" thread first is a safe bet.

NOTE

It is possible to have metric on one end and imperial on the other end of the hose.

The metric pitch is the same for all sizes, so if you don't have the exact one you want, you can determine this pitch by selecting a different size metric gauge.



ABBREVIATIONS
NF = National Fine
NS = National Special
BSF = British Standard Fine

TIPS ON USING THE BQ2100 THREAD GAUGE

Gauges are organized into popularity groups:

- Blue = Most popular Metric threads
- Red = Most popular Imperial threads
- Gold = Less popular Metric threads
- Green = Less popular Imperial threads

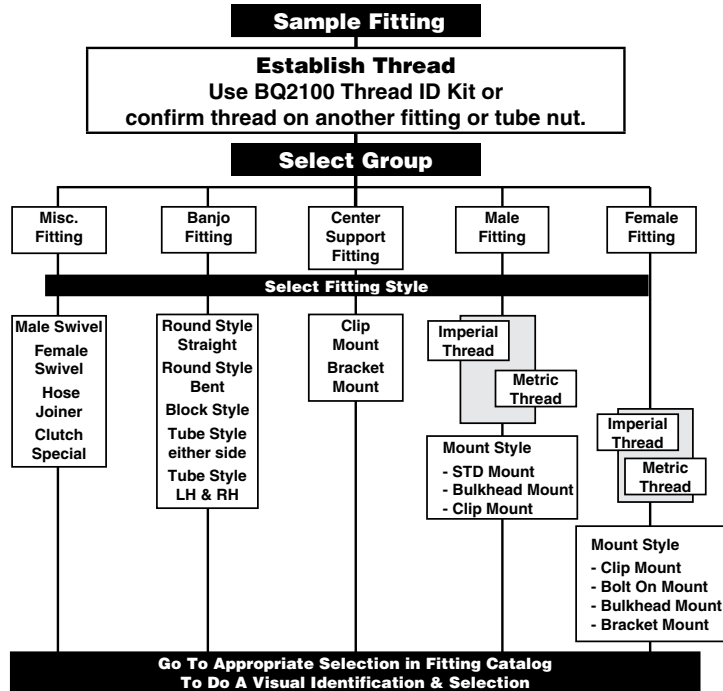
Identify Fittings in 60 Seconds or Less

One of the biggest time wasters is time spent identifying the fittings. BrakeQuip has designed a system around the fitting catalog so that you can identify a fitting in seconds once you have identified the thread, if applicable. The first thing you need to do is understand the fitting numbering system.

For crimp style fittings, BrakeQuip has 9 different product groups and all start with HF (Hose Fitting). Usually if it is not a crimp fitting, the part number will start with BQ (BrakeQuip).

Follow these steps for systemizing this quick find process:

1. Decide which fitting group the fitting falls under.
2. Select the fitting style or the way it is mounted. Use the Fitting Catalog contents section at the front of the catalog until you get familiar with catalog.
3. This narrows your search down to a couple of pages or less. Identify what is unique about the fitting and focus on this point in the Catalog.
4. Confirm your selection by checking that all the important attributes match the fitting you are seeking.



Note: To search electronically - go to www.brakequip.com - products - brake hose fittings.

Hose Fitting Numbering System

HF = Hose Fitting (These two letters are used for computer number finding only.)
Fittings that don't fall into one of the categories below have the prefix HF only.

NOTE:

Not all fittings look the same as the original but will still function properly. The three important points that you need to consider are:

- A. Can the fitting be secured properly? Is there a mount or shoulder profile that will clash?
- B. Will the working end at the connection match up and seal?
- C. Does the hose need something to direct it away from rubbing or heat?

Understanding The Code

ABBREVIATION	DESCRIPTION
HF	Miscellaneous
IM	Imperial Male
MM	Metric Male
IF	Imperial Female
MF	Metric Female
B	Banjo
C	Center Support
IFX	Imperial Female external thread mount
MFX	Metric Female external thread mount

NOTE: Imperial = American Standard

A = Asian

EU = European

US = United States

UNI = Universal

V = Various

PREFIX	DESCRIPTION	EXAMPLE
HF01 - HF__	Hose Fittings of a Miscellaneous Nature	
HFIM01 - HFIM__	Male Fittings (Imperial Thread)	
HFMM01 - HFMM__	Male Fittings (Metric Thread)	
HFIF01 - HFIF__	Female Fittings (Imperial Thread)	
HFMF01 - HFMF__	Female Fittings (Metric Thread)	
HFB01 - HFB__	Banjo Fittings	
HFC01 - HFC__	Center Support Fittings	
HFIFX01 - HFIFX__	Female Imperial Thread (External Thread)	
HFMFX01 - HFMFX__	Female Metric Thread (External Thread)	
BQ	Any items that are not a crimpable hose fitting	

METRIC CONVERSION TABLE

FRACTION (IN.)	DECIMAL (IN.)	METRIC (MM)
1/32	0.031	0.79
1/16	0.063	1.59
3/32	0.094	2.38
1/8	0.125	3.17
5/32	0.156	3.97
3/16	0.188	4.76
7/32	0.219	5.56
1/4	0.25	6.35
9/32	0.281	7.14
5/16	0.313	7.94
11/32	0.344	8.73
3/8	0.375	9.52
13/32	0.406	10.32
7/16	0.438	11.11
15/32	0.469	11.91
1/2	0.5	12.70
17/32	0.531	13.49
9/16	0.563	14.29
19/32	0.594	15.08
5/8	0.625	15.88
21/32	0.656	16.67
11/16	0.688	17.46
23/32	0.719	18.26
3/4	0.75	19.05
25/32	0.781	19.84
13/16	0.813	20.64
27/32	0.844	21.43
7/8	0.875	22.22
29/32	0.906	23.02
15/16	0.938	23.81
31/32	0.969	24.61
1	1.0	25.40
1-1/32	1.031	26.19
1-1/16	1.063	26.99
1-3/32	1.094	27.78
1-1/8	1.125	28.57
1-5/32	1.156	29.37
1-3/16	1.188	30.16
1-7/32	1.219	30.96
1-1/4	1.25	31.75
1-9/32	1.281	32.54
1-5/16	1.313	33.34
1-11/32	1.344	34.13
1-3/8	1.375	34.93
1-13/32	1.406	35.72
1-7/16	1.438	36.51
1-15/32	1.469	37.31
1-1/2	1.5	38.10
1-17/32	1.531	38.89
1-9/16	1.563	39.69
1-19/32	1.594	40.48
1-5/8	1.625	41.28
1-21/32	1.656	42.07
1-11/16	1.688	42.86
1-23/32	1.719	43.66
1-3/4	1.75	44.45
1-25/32	1.781	45.24
1-13/16	1.813	46.04
1-27/32	1.844	46.83
1-7/8	1.875	47.62
1-29/32	1.906	48.42
1-15/16	1.938	49.21
1-31/32	1.969	50.01
2	2.0	50.80

FRACTION (IN.)	DECIMAL (IN.)	METRIC (MM)
2-1/32	2.031	51.59
2-1/16	2.063	52.39
2-3/32	2.094	53.18
2-1/8	2.125	53.98
2-5/32	2.156	54.77
2-3/16	2.188	55.56
2-7/32	2.219	56.36
2-1/4	2.25	57.15
2-9/32	2.281	57.94
2-5/16	2.313	58.74
2-11/32	2.344	59.53
2-3/8	2.375	60.32
2-13/32	2.406	61.12
2-7/16	2.438	61.91
2-15/32	2.469	62.71
2-1/2	2.5	63.50
2-17/32	2.531	64.29
2-9/16	2.563	65.09
2-19/32	2.594	65.88
2-5/8	2.625	66.68
2-21/32	2.656	67.47
2-11/16	2.688	68.26
2-23/32	2.719	69.06
2-3/4	2.75	69.85
2-25/32	2.781	70.64
2-13/16	2.813	71.44
2-27/32	2.844	72.23
2-7/8	2.875	73.03
2-29/32	2.906	73.82
2-15/16	2.938	74.61
2-31/32	2.969	75.41
3	3.0	76.20
3-1/32	3.031	76.99
3-1/16	3.063	77.79
3-3/32	3.094	78.58
3-1/8	3.125	79.38
3-5/32	3.156	80.17
3-3/16	3.188	80.96
3-7/32	3.219	81.76
3-1/4	3.25	82.55
3-9/32	3.281	83.34
3-5/16	3.313	84.14
3-11/32	3.344	84.93
3-3/8	3.375	85.73
3-13/32	3.406	86.52
3-7/16	3.438	87.31
3-15/32	3.469	88.11
3-1/2	3.5	88.90
3-17/32	3.531	89.69
3-9/16	3.563	90.49
3-19/32	3.594	91.28
3-5/8	3.625	92.08
3-21/32	3.656	92.87
3-11/16	3.688	93.66
3-23/32	3.719	94.46
3-3/4	3.75	95.25
3-25/32	3.781	96.04
3-13/16	3.813	96.84
3-27/32	3.844	97.63
3-7/8	3.875	98.43
3-29/32	3.906	99.22
3-15/16	3.938	100.01
3-31/32	3.969	100.81
4	4.0	101.60

FRACTION (IN.)	DECIMAL (IN.)	METRIC (MM)
4-1/32	4.031	102.39
4-1/16	4.063	103.19
4-3/32	4.094	103.98
4-1/8	4.125	104.77
4-5/32	4.156	105.57
4-3/16	4.188	106.36
4-7/32	4.219	107.16
4-1/4	4.25	107.95
4-9/32	4.281	108.74
4-5/16	4.313	109.54
4-11/32	4.344	110.33
4-3/8	4.375	111.12
4-13/32	4.406	111.92
4-7/16	4.438	112.71
4-15/32	4.469	113.51
4-1/2	4.5	114.30
4-17/32	4.531	115.09
4-9/16	4.563	115.89
4-19/32	4.594	116.68
4-5/8	4.625	117.47
4-21/32	4.656	118.27
4-11/16	4.688	119.06
4-23/32	4.719	119.86
4-3/4	4.75	120.65
4-25/32	4.781	121.44
4-13/16	4.813	122.24
4-27/32	4.844	123.03
4-7/8	4.875	123.82
4-29/32	4.906	124.62
4-15/16	4.938	125.41
4-31/32	4.969	126.21
5	5.0	127.00
5-1/32	5.031	127.79
5-1/16	5.063	128.59
5-3/32	5.094	129.38
5-1/8	5.125	130.17
5-5/32	5.156	130.97
5-3/16	5.188	131.76
5-7/32	5.219	132.56
5-1/4	5.25	133.35
5-9/32	5.281	134.14
5-5/16	5.313	134.94
5-11/32	5.344	135.73
5-3/8	5.375	136.52
5-13/32	5.406	137.32
5-7/16	5.438	138.11
5-15/32	5.469	138.91
5-1/2	5.5	139.70
5-17/32	5.531	140.49
5-9/16	5.563	141.29
5-19/32	5.594	142.08
5-5/8	5.625	142.88
5-21/32	5.656	143.67
5-11/16	5.688	144.46
5-23/32	5.719	145.26
5-3/4	5.75	146.05
5-25/32	5.781	146.84
5-13/16	5.813	147.64
5-27/32	5.844	148.43
5-7/8	5.875	149.22
5-29/32	5.906	150.02
5-15/16	5.938	150.81
5-31/32	5.969	151.61
6	6.0	152.40

INDEX

PART#	PAGE#
BQ11	65
BQ12	65
BQ18	76
BQ19	76
BQ21	75
BQ22A	76
BQ22B	76
BQ23	75
BQ26	76
BQ35	76
BQ37	75
BQ65	64
BQ66	64
BQ67	64
BQ68	64
BQ69	64
BQ70	64
BQ71	42, 52, 65
BQ97	64
BQ98	64
BQ101	65
BQ160	76
BQ161	76
BQ162	76
BQ163	76
BQ164	76
BQ165	76
BQ166	76
BQ167	76
BQ170	70
BQ177SS	68
BQ200	65
BQ201	65
BQ202	65
BQ203	63
BQ206	75
BQ206H	75
BQ206HS	75
BQ206S	75
BQ207	75
BQ207H	75
BQ208	75
BQ208H	75
BQ210	63
BQ211	63
BQ212	63
BQ213	63
BQ215	63
BQ216	63
BQ217	63

PART#	PAGE#
BQ218	63
BQ226	70
BQ227	70
BQ228	70
BQ234	63
BQ251-BK	66
BQ251-BL	66
BQ251-GD	66
BQ251-GR	66
BQ251-PP	66
BQ251-RD	66
BQ251-SV	66
BQ251-YL	66
BQ272	63
BQ273	63
BQ274	63
BQ275	63
BQ276	63
BQ301	66
BQ303	66
BQ303BK	66
BQ303BL	66
BQ303RD	66
BQ310	66
BQ311	66
BQ312-BK	65
BQ312-GY	65
BQ330	69
BQ331	69
BQ611	66
BQ801	70
BQ9151	74
BQ1014	75
BQ1020	76
BQ1021A	75
BQ1026	70
BQ1150	76
BQ2001W	75
BQ2005	75
BQ2008	75
BQ2010	75
BQ2033	76
BQ2090	70
BQ2091	70
BQ2101B	65
BQ2102	65
BQ2103	65
BQ2104	66
BQ2110	74
BQ2300	70

PART#	PAGE#
BQ2301	70
BQ2302	70
BQ2303	70
BQ2304	70
BQ2305	70
BQ2306	70
BQ2307	70
BQ2308	70
BQ2309	70
BQ2310	70
BQ2311	70
BQ2312	70
BQ2313	70
BQ2314	70
BQ2335	70
BQ2336	70
BQ7003	70
BQ7012	76
BQB01	55
BQB02	59
BQB04	55
BQB05	55
BQB06	62
BQB07	55
BQB08	59
BQB09	59
BQB10	55
BQB11	55
BQB12	59
BQB14	55
BQB15	55
BQB16	59
BQB17	59
BQB18	59
BQB19	59
BQB20	55
BQB21	59
BQB22	59
BQB23	59
BQB24	55
BQB25	55
BQB26	55
BQB27	55
BQB29	55
BQB30	55
BQB31	59
BQB32	59
BQB34	59
BQB35	59
BQB36	60

PART#	PAGE#
BQB37	60
BQB38	60
BQB39	56
BQB40	56
BQB41	56
BQB42	56
BQB48	60
BQB49	60
BQB50	56
BQB51	60
BQB52	60
BQB53	56
BQB54	56
BQB63	56
BQB64	56
BQB65	56
BQB69	60
BQB70	60
BQB71	60
BQB72	60
BQB73	60
BQB74	60
BQB75	56
BQB77	60
BQB78	60
BQB80	56
BQB81	61
BQB83	56
BQB85	61
BQB86	56
BQB87	56
BQB88	57
BQB89	57
BQB90	57
BQB91	57
BQB92	61
BQB93	61
BQB94	57
BQB98	61
BQB99	61
BQB100	61
BQB101	61
BQB105	57
BQB109	61
BQB110	61
BQB111	57
BQB112	57
BQB115	57
BQB118	57
BQB119	57

INDEX

PART#	PAGE#
BQB120	57
BQB140	61
BQB141	61
BQB151	57
BQB152	57
BQB160	57
BQB162	61
BQB163	61
BQB166	58
BQB168	61
BQB169	62
BQB171	58
BQB172	62
BQB174	62
BQB195	62
BQB221	62
BQB222	62
BQB223	62
BQB224	62
BQB225	62
BQB312	58
BQB313	58
HF01	8
HF02	8
HF03	8
HF04	2
HF05	8
HF06	2
HF07	2
HF08	3
HF09	5
HF10	5
HF10SS	67
HF11	5
HF11SS	67
HF12	5
HF12SS	67
HF13	5
HF13SS	67
HF14	5
HF14SS	67
HF15	2
HF15SS	67
HF16	2
HF16B	2
HF16SS	68
HF17	2, 39
HF17SS	68
HF18	3
HF26	8, 45

PART#	PAGE#
HF27	8, 45
HF28	3
HF29	3
HF30	7
HF30SS	67
HF31	7
HF31SS	67
HF33	2, 39
HF33SS	68
HF34	3
HF35	7
HF37	6
HF38	6
HF39	2
HF43SS	68
HF45SS	68
HF46SS	68
HF52	3
HF53	4
HF54	2
HF61	5
HF62	7
HF63	2
HF71	6
HF72	6
HF73	6
HF74	6
HF77	4
HF81	2
HF82	4
HF83	7
HF84	2
HF85	2
HF89	2
HF92	3
HF93	3
HF94	3
HF97	3
HF98	3
HF99	4
HF100	3
HF101	3
HF102	5
HF110	5
HF111	5
HF114	7
HF115	4
HF116	4
HF117	4
HF119	3

PART#	PAGE#
HF120	8
HF125	7
HF300	6
HF301	6
HF01SS	67
HF06SS	67
HF07SS	67
HF09SS	67
HF09W	5
HF09WSS	67
HFB01	9
HFB02	9
HFB03	9
HFB05	9
HFB07	16
HFB08	16
HFB09	9
HFB10	11
HFB11	16
HFB12	16
HFB13	16
HFB14	16
HFB15	9
HFB16	16
HFB17	20
HFB18	20
HFB19	9
HFB21	20
HFB22	30
HFB23	30
HFB24	11
HFB27	9
HFB28	9
HFB29	11
HFB30	11
HFB31	11
HFB32	11
HFB33	11
HFB34	9
HFB34SS	67
HFB35	9
HFB36	9
HFB37	9
HFB37SS	67
HFB38	18
HFB39	19
HFB40	16
HFB41	15
HFB42	27
HFB43	27

PART#	PAGE#
HFB45	16
HFB46	16
HFB47	9
HFB47SS	68
HFB48	15
HFB49	16
HFB50	9
HFB51	20
HFB52	27
HFB53	16
HFB54	15
HFB55	15
HFB56	17
HFB57	17
HFB58	19
HFB59	15
HFB60	15
HFB61	19
HFB62	17
HFB66	15
HFB67	14
HFB68	22
HFB69	22
HFB72	15
HFB73	10
HFB74	27
HFB75	11
HFB76	22
HFB77	22
HFB78	26
HFB79	26
HFB80	19
HFB81	17
HFB82	22
HFB83	22
HFB84	15
HFB85	17
HFB86	27
HFB87	27
HFB90	19
HFB91	17
HFB92	11
HFB93	11
HFB94	26
HFB95	26
HFB98	19
HFB100	17
HFB101	18
HFB102	22
HFB103	22

INDEX

PART#	PAGE#
HFB105	11
HFB106	11
HFB107	27
HFB108	27
HFB111	10
HFB112	16
HFB113	27
HFB114	27
HFB115	22
HFB116	22
HFB117	27
HFB118	27
HFB119	27
HFB120	27
HFB121	27
HFB122	28
HFB123	26
HFB124	26
HFB125	22
HFB126	22
HFB127	22
HFB128	22
HFB129	22
HFB130	23
HFB131	23
HFB132	23
HFB133	17
HFB134	17
HFB135	23
HFB136	23
HFB140	23
HFB141	23
HFB142	28
HFB143	28
HFB144	17
HFB145	18
HFB146	18
HFB148	19
HFB149	17
HFB150	11
HFB151SS	68
HFB155	23
HFB156	23
HFB157	11
HFB158	11
HFB159	12
HFB160	20
HFB161	20
HFB164	12
HFB171SS	68

PART#	PAGE#
HFB173	20
HFB174	23
HFB175	23
HFB176	26
HFB177	26
HFB178SS	68
HFB180	20
HFB182	19
HFB183	28
HFB184	28
HFB185	23
HFB187	17
HFB188	19
HFB189	26
HFB190	26
HFB193	19
HFB194	10
HFB201	26
HFB202	26
HFB203	19
HFB209	23
HFB210	23
HFB211	19
HFB214	24
HFB215	24
HFB216	28
HFB217	24
HFB218	24
HFB221	24
HFB222	24
HFB230	14
HFB231	14
HFB237	26
HFB238	26
HFB239	28
HFB240	28
HFB241	28
HFB242	28
HFB243	14
HFB245	28
HFB246	28
HFB247	28
HFB248	28
HFB249	28
HFB250	29
HFB251	20
HFB256	21
HFB259	29
HFB260	29
HFB267	21

PART#	PAGE#
HFB270	24
HFB273	19
HFB276	19
HFB277	24
HFB278	24
HFB283	14
HFB284	29
HFB285	29
HFB286	17
HFB288	10
HFB289	10
HFB299	20
HFB300	17
HFB306	24
HFB307	24
HFB309	21
HFB310	21
HFB315	24
HFB316	24
HFB317	24
HFB318	24
HFB321	25
HFB322	25
HFB323	25
HFB324	25
HFB328	29
HFB329	29
HFB332	29
HFB333	29
HFB340	12
HFB341	12
HFB342	12
HFB343	12
HFB344	10
HFB345	12
HFB346	12
HFB348	12
HFB349	12
HFB350	10
HFB351	10
HFB352	10
HFB353	12
HFB354	12
HFB356	12
HFB357	12
HFB358	12
HFB359	13
HFB360	13
HFB361	13
HFB362	13

PART#	PAGE#
HFB363	13
HFB364	13
HFB365	10
HFB366	13
HFB367	29
HFB368	29
HFB369	29
HFB370	29
HFB372	13
HFB373	13
HFB375	10
HFB376	29
HFB377	29
HFB378	21
HFB379	21
HFB380	25
HFB381	25
HFB384	14
HFB389	13
HFB390	13
HFB403	17
HFB404	30
HFB405	21
HFB410	30
HFB411	30
HFB418	25
HFB419	25
HFB430	25
HFB431	25
HFB448	10
HFB450	30
HFB451	30
HFB456	13
HFB457	13
HFB474	30
HFB475	30
HFB09SS	67
HFC01	31
HFC02	31
HFC04	32
HFC05	32
HFC06	31
HFC07	31
HFC09	31
HFC10	31
HFC11	31
HFC12	31
HFC13	31
HFC14	32
HFC15	31

INDEX

PART#	PAGE#
HFC17	31
HFC18	32
HFC19	32
HFC301	31
HFC307	31
HFC315	31
HFC316	32
HFC317	32
HFC318	32
HFC319	32
HFC320	32
HFC321	32
HFC322	32
HFC323	33
HFC324	33
HFC325	33
HFC326	33
HFC327	31
HFC328	33
HFC329	33
HFC331	32
HFIF01	34
HFIF02	37
HFIF03	40
HFIF05	34
HFIF06	40
HFIF07	34
HFIF08	34
HFIF09	37
HFIF10	34
HFIF11	34
HFIF14	34
HFIF15	41
HFIF18	34
HFIF19	34
HFIF20	37
HFIF21	34
HFIF22	41
HFIF23	38
HFIF24	37
HFIF25	38
HFIF26	34
HFIF27	38
HFIF28	38
HFIF29	34
HFIF30	34
HFIF31	38
HFIF32	34
HFIF33	37
HFIF34	38

PART#	PAGE#
HFIF35	37
HFIF36	35
HFIF37	38
HFIF38	35
HFIF39	38
HFIF40	35
HFIF41	41
HFIF42	41
HFIF43	38
HFIF44	41
HFIF45	35
HFIF46	38
HFIF47	38
HFIF48	38
HFIF51	37
HFIF52	41
HFIF53	38
HFIF54	38
HFIF55	38
HFIF56	39
HFIF57	39
HFIF58	39
HFIF59	39
HFIF60	42
HFIF60A	42
HFIF63	37
HFIF64	35
HFIF65	35
HFIF66	39
HFIF70	42
HFIF71	35
HFIF72	35
HFIF73	37
HFIF74	35
HFIF76	35
HFIF77	39
HFIF79	37
HFIF80	39
HFIF81	42
HFIF82	35
HFIF83	35
HFIF85	35
HFIF87	35
HFIF88	39
HFIF90	42
HFIF94	39
HFIF99	42
HFIF103	35
HFIF106	36
HFIF107	36

PART#	PAGE#
HFIF109	42
HFIF110	39
HFIF111	39
HFIF115	39
HFIF116	37
HFIF126SS	68
HFIF127	42
HFIF128	42
HFIF129	39
HFIF138	42
HFIF140	36
HFIF143	36
HFIF301	36
HFIF303	39
HFIF304	42
HFIF306	42
HFIF01B	34
HFIF01SS	67
HFIF02SS	67
HFIFX01	40
HFIFX02	40
HFIFX03	40
HFIFX04	40
HFIFX05	40
HFIFX06	40
HFIFX07	40
HFIFX08	40
HFIFX09	40
HFIFX10	40
HFIFX11	40
HFIFX12	40
HFIFX14	41
HFIFX15	41
HFIFX16	41
HFIFX17	41
HFIFX18	41
HFIFX20	41
HFIFX21	41
HFIFX22	41
HFIFX23	41
HFIM01	43
HFIM02	44
HFIM03	43
HFIM04	43
HFIM05	44
HFIM06	44
HFIM07	44
HFIM08	43
HFIM09	43
HFIM10	43

PART#	PAGE#
HFIM11	43
HFIM12	44
HFIM13	43
HFIM14	43
HFIM15	43
HFIM16	43
HFIM17	45
HFIM18	43
HFIM19	43
HFIM19SS	67
HFIM21	43
HFIM22	45
HFIM24	44
HFIM25	44
HFIM26	44
HFIM27	44
HFIM28	44
HFIM29	44
HFIM32	44
HFIM01B	43
HFIM01SS	67
HFIM03SS	67
HFMF01	46
HFMF02	46
HFMF03	48
HFMF04	46
HFMF05	48
HFMF06	46
HFMF07	46
HFMF08	48
HFMF09	46
HFMF10	46
HFMF11	46
HFMF12	46
HFMF13	46
HFMF14	46
HFMF15	46
HFMF16	46
HFMF18	50
HFMF19	46
HFMF20	46
HFMF21	48
HFMF22	51
HFMF24	48
HFMF25	47
HFMF26	47
HFMF27	51
HFMF28	47
HFMF29	47
HFMF30	50

INDEX

PART#	PAGE#
HFMF31	47
HFMF35	48
HFMF36	47
HFMF37	47
HFMF38	48
HFMF39	48
HFMF40	51
HFMF41	51
HFMF42	47
HFMF43	47
HFMF47	48
HFMF48	50
HFMF50	50
HFMF51	48
HFMF54	48
HFMF55	48
HFMF56	49
HFMF57	49
HFMF58	49
HFMF59	49
HFMF62	49
HFMF63	49
HFMF65	49
HFMF66	47
HFMF67	49
HFMF68	47
HFMF69	50
HFMF70	51
HFMF71	49
HFMF73	49
HFMF74	49
HFMF79	50
HFMF90	51
HFMF91	47
HFMF92	47

PART#	PAGE#
HFMF93	47
HFMF96	49
HFMF100	49
HFMF305	49
HFMF307	47
HFMF308	48
HFMF311	51
HFMF312	51
HFMF313	51
HFMF315	49
HFMF316	50
HFMF317	51
HFMF318	51
HFMF319	52
HFMF320	52
HFMF322	50
HFMF324	52
HFMF325	52
HFMF326	48
HFMF327	50
HFMF328	50
HFMF329	50
HFMF333	48
HFMF340	50
HFMF342	52
HFMF343	52
HFMF363	50
HFMF04SS	67
HFMFX01	51
HFMFX02	51
HFMFX04	51
HFMM01	53
HFMM02	54
HFMM03	53
HFMM04	53

PART#	PAGE#
HFMM05	53
HFMM06	53
HFMM08	53
HFMM09	54
HFMM10	54
HFMM11	54
HFMM12	54
HFMM13	53
HFMM15	53
HFMM17	53
HFMM18	54
HFMM20	54
HFMM21	54
HFMM22	53
HFMM23	53
HFMM24	53
HFMM25	53
HFMM302	54
HFMM303	54
HFMM06SS	67
LP121	74
LP124	71
LP06-7	71
LP11-6	71
LP17-6	71
LP33-6	71
LP34-M10X1	71
LPB01-10M	71
LPB09-10M	71
LPB09SW-10M	71
LPB12-10M	71
LPB448-7	71
LPB455-10M	72
LPB47-12M	71
LPIF01-6	72

PART#	PAGE#
LPIF02-7	72
LPIM19	72
LPIM01-6	72
LPIM02-6	72
LPIM03-7	72
LPIM13-7	72
LPMF01-M10X1	72
LPMF02-M10X1	72
LPMF05-M10X1	72
LPMF08-M10X1	73
LPMF09-M10X125	73
LPMM01-M10X1	73
LPMM02-M10X1	73
LPMM03-M10X1	73
LPMM04-M10X125	73
LPMM04-M10X125	73
LPMM06-M10X1	73
LPS-LI-SAE	73
LPS-SD-DIN	73
LPS-SD-JIC	73
LPS-SD-SAE	73
LPS-SI-JIC	73
LPS-SI-SAE	73
LPS-T-DIN	74
LPS-T-JIC	74
LPS-T-SAE	74
PSHF100	69
PSHF101	69
PSHF102	69
PSHF103	69
PSHF104	69
PSHF105	69
PSHF106	69
PSHF107	69
PSHF114	69

Promotional Marketing Material

T-Shirt



- BQ700-S** Small
- BQ700-M** Medium
- BQ700-L** Large
- BQ700-XL** Extra Large
- BQ700-XXL** Extra Extra Large

Cap



BQ710
One Size Fits All

Cloth Banner



BQ711
3' x 5'

Counter Mat



BQ730
16" x 20"

Decal (Medium)



BQ727
2.5" x 7.5"

Decal (Small)



BQ726
1-1/4" x 4-3/4"

Door Decal



BQ725
4.5" x 6"

Hose Display Stand



BQ2221
For both Rubber & Braided Hose
Note: Stand does not come with hose samples.

PROMOTIONAL MATERIAL

Brochures

Brake Hoses Made to Order!

Quality Hoses Available When You Need Them.

Save Big Savings!

Choose from OE Rubber or Stainless Steel Brake Hoses.

From High Profile Style to Braided Brake Hoses, Brake Hoses Made to Order are available in a wide variety of sizes and configurations. We have the equipment and expertise to produce custom hoses to meet your exact requirements. Our hoses are made to order and available in a wide variety of sizes and configurations. We have the equipment and expertise to produce custom hoses to meet your exact requirements.

Experience the Benefits of Stainless Steel Brake Hoses

Check Out These Unique Features:

- Exceeds the latest DOT standards backed up by independent laboratory reports.
- Over 200 different hose diameters, lengths and configurations.
- Each fitting is of OE design to fit snugly and securely.
- Over 200 different hose diameters, lengths and configurations.
- Choose from braided, solid, or stainless steel hoses.
- Over 200 different hose diameters, lengths and configurations.

USA & Canada Toll Free: 1-877-431-0075

BQ2007

REAL Street Legal Stainless Braided Brake Hoses

The ultimate in Style and Performance!

Experience the Benefits of Stainless Steel Brake Hoses

Check Out These Unique Features:

- Exceeds the latest DOT standards backed up by independent laboratory reports.
- Over 200 different hose diameters, lengths and configurations.
- Each fitting is of OE design to fit snugly and securely.
- Over 200 different hose diameters, lengths and configurations.
- Choose from braided, solid, or stainless steel hoses.
- Over 200 different hose diameters, lengths and configurations.

USA & Canada Toll Free: 1-877-431-0075

BQ2014

High Speed Flaring Tool BQ200 and BQ201

BrakeQuip

The Fastest Flaring Tool in The West

Just Got Faster, Better and Costs Less!

High speed professional tube flaring in a matter of seconds. The high speed flaring tool makes your work quick and easy. The high speed flaring tool makes your work quick and easy. The high speed flaring tool makes your work quick and easy.

USA & Canada Toll Free: 1-877-431-0075

BQ2027

Fix Those Mistakes... Instantly BrakeQuip

This tool will make you look like a professional.

• Straightens and bends 3/16" and 1/4" tube.

• Straightens and bends 3/16" and 1/4" tube.

• Straightens and bends 3/16" and 1/4" tube.

• Straightens and bends 3/16" and 1/4" tube.

USA & Canada Toll Free: 1-877-431-0075

BQ1210

Brake Tube Pliers Part No. BQ4055 BrakeQuip

The Handiest Tool in a Brake Mechanic's Toolbox

• Convenient • Quality crafted

Brake mechanics often find that the best in the toolbox is the one that's easiest to use. The Brake Tube Pliers are designed to work efficiently, quickly, and accurately. They are the most important tool in a brake mechanic's toolbox.

USA & Canada Toll Free: 1-877-431-0075

BQ2029

Straightens Coiled Tube... Fast! BrakeQuip

Tube Straightener

Tube straightening just got easy with the Tube Straightener. Simply feed your coiled tube into the straightener and it comes out straight in the blink of an eye.

• Fully adjustable.

• Saves time and money.

• Also on stock mounted.

• Fits a variety of sizes of automotive tubing.

USA & Canada Toll Free: 1-877-431-0075

BQ1028

Fitting Storage System BrakeQuip

Innovative Solutions for Automotive Planning

Save Space and Find Parts Quicker

Organize your fittings in one place. Each part can now be identified by its size and location. This makes it easy to find the part you need when you need it.

USA & Canada Toll Free: 1-877-431-0075

BQ2080

Do It Yourself BrakeQuip

Save Time and Money

Do it yourself brake repair is easier than you think. With the right tools and information, you can save time and money on your next brake job.

USA & Canada Toll Free: 1-877-431-0075

BQ2081

The Facts On ExiBend Tube BrakeQuip

The Facts On ExiBend Tube

ExiBend tube is the most advanced tube available. It is made of a special alloy that allows it to be bent and straightened repeatedly without losing its strength.

USA & Canada Toll Free: 1-877-431-0075

BQ2082

Assortment Kits BrakeQuip

Never be caught out again!

Save yourself time and money by having these handy items on hand.

• Components are stored in a convenient, portable container.

• All components are stored in a convenient, portable container.

USA & Canada Toll Free: 1-877-431-0075

BQ2092

Bleeder Buster Kit BrakeQuip

Innovative Solutions for Automotive Planning

Remove Frozen Bleeder Screws like a Pro... Easily

• No more heating up.

• No more drilling and tapping.

• No more hammering.

• No more cutting.

USA & Canada Toll Free: 1-877-431-0075

BQ2200F

Motorcycle Brake Hoses Made to Order BrakeQuip

Motorcycle Brake Hoses Made to Order

• Fully DOT Compliant

• OE Style

Give your motorcycle the look of a professional. Our custom motorcycle brake hoses are made to order and available in a wide variety of sizes and configurations.

USA & Canada Toll Free: 1-877-431-0075

BQ1201

Power Steering Hose Repair Service BrakeQuip

Power Steering Hose Repair Service

Repair those failed power steering hoses instantly using the highest quality hose and fitting fittings that allow the reworking of the existing fitting. This feature allows the flexibility to economically repair most power steering hoses.

USA & Canada Toll Free: 1-877-431-0075

BQ1202

Automotive Tubes... Made to Order BrakeQuip

Automotive Tubes... Made to Order

Replace your rusty metal tubes with our innovative stainless steel tubes. They are made to order and available in a wide variety of sizes and configurations.

USA & Canada Toll Free: 1-877-431-0075

BQ1203

REAL DOT Conformance with the Extreme Look BrakeQuip

REAL DOT Conformance with the Extreme Look

• Check Out These Unique Features

• Check Out These Unique Features

• Check Out These Unique Features

USA & Canada Toll Free: 1-877-431-0075

BQ1207

Posters

We Make Brake Hoses Custom Hoses Made to Order

• Hoses pressure tested to 3000 psi

• Hoses comply with DOT standards

• Original quality

USA & Canada Toll Free: 1-877-431-0075

BQ2012

Checking and Testing for Faulty Brake Hoses

Brake pressure is essential for safe driving. A faulty brake hose can lead to a loss of pressure and a dangerous situation.

• The Correct Method to Test Brake Hoses

• Visual Inspection of Hose and Installation

• Inspecting the Hose through "Feel"

USA & Canada Toll Free: 1-877-431-0075

BQ2026

The One Stop Shop for Automotive Tubes and Hoses BrakeQuip

The One Stop Shop for Automotive Tubes and Hoses

• Table of Contents

• Table of Contents

• Table of Contents

USA & Canada Toll Free: 1-877-431-0075

BQAP-0712

Dealer Catalog BrakeQuip

Dealer Catalog

• Rubber Brake Hoses

• Braided Brake Hoses OE Style

• Braided Brake Hoses Low Profile Style

• Power Steering Hoses

USA & Canada Toll Free: 1-877-431-0075

BQF-09

Catalogs

BrakeQuip

INNOVATIVE SOLUTIONS FOR AUTOMOTIVE TUBES AND HOSES



1470 Amherst Road • Knoxville, Tennessee 37909
 Phone: 865-251-9193 Fax: 865-251-9192
 Email: info@brakequip.com • Web: www.brakequip.com

Printed in USA